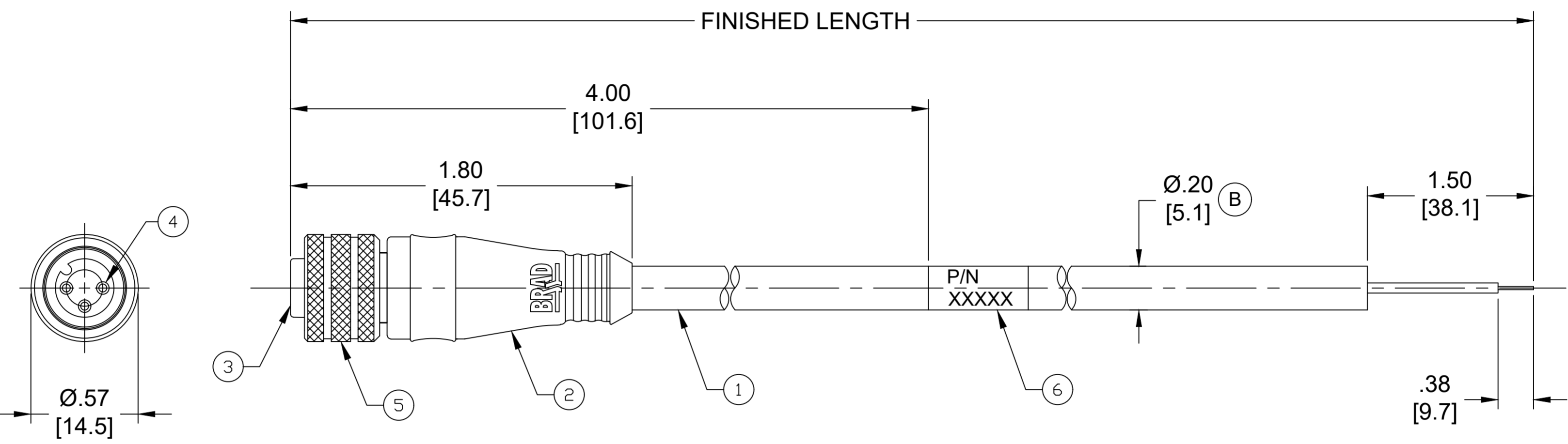


PART NO	ENGINEERING NO.	FINISHED LENGTH
1200650128	803000A09M010	1M [3FT 3 IN]
1200650139	803000A09M050	5M [15FT 5 IN]
1200650148	803000A09M100	10M [32FT 9 IN]



- NOTES:**
- MATERIAL: AS NOTED
 - FINISH: AS NOTED
 - ELECTRICAL:
VOLTAGE: 250V
CURRENT: 4A
 - TEMP RATING: -20°TO +105°C (B)
 - PROTECTION: IP67 (WHEN MATED)
 - COUPLING THREAD: M12X1
 - UL RECOGNIZED FILE: E152210
CSA CERTIFIED FILE: LR6837 (B)
 - ALL DIMENSIONS ARE FOR REFERENCE
UNLESS TOLERANCED OR NOTED OTHERWISE

PART NO. MATRIX
803000A09M010

↓
FINISHED LENGTH
M005 = 0.5 METER
M010 = 1 METER
M100 = 10 METER

(B)

CABLE LENGTH TOLERANCES

<.3M [1FT]:	+19mm-0 [+.75in-0]
.3 - .9M [1 - 3FT]:	+44.5mm-0 [+1.75in-0]
.9 - 1.8M [3 - 6FT]:	+55.6mm-0 [+2.19in-0]
1.8 - 3.7M [6 - 12FT]:	+88.9mm-0 [+3.50in-0]
3.7 - 7.3M [12 - 24FT]:	+165.1mm-0 [+6.50in-0]
7.3-14.6M [24 - 48FT]:	+317.5mm-0 [+12.50in-0]
14.6 - 30.5M [48-100FT]:	+622.3mm-0 [+24.50in-0]
OVER 30M [100FT]	+2% OF FINISHED LENGTH

6	WRAP LABEL	VINYL	BLACK/YELLOW	(B)
5	COUPLER	BRASS	NICKEL PLATED	
4	CONTACT SOCKET	COPPER ALLOY	GOLD OVER NICKEL	
3	INSERT	PUR	BLACK	
2	OVERMOLD	PUR	YELLOW	(B)
1	#22/3 CABLE	PVC JACKET	YELLOW	
ITEM	DESCRIPTION	MATERIAL	FINISH	

THIS DRAWING CONTAINS INFORMATION THAT IS PROPRIETARY TO MOLEX ELECTRONIC TECHNOLOGIES, LLC AND SHOULD NOT BE USED WITHOUT WRITTEN PERMISSION

FUNCTIONAL SYMBOLS	DIMENSION UNITS	SCALE	CURRENT REV DESC: ITEM #2 WAS PVC & ITEM #6 WAS MYLAR. ADDED UL, CSA, CABLE DIA & TOL CHART. MODIFIED TEMP RATING & PN CHART
FA=0	INCH/MM	NTS	
FC=0	GENERAL TOLERANCES (UNLESS SPECIFIED)		
FP=0	mm	INCH	
DIVISIONAL SYMBOLS	4 PLACES	±----	EC NO: 669893
	3 PLACES	±----	DRWN: ABENJAMINLW 2021/03/19
	2 PLACES	±----	CHK'D: RSTONE 2021/07/12
	1 PLACE	±----	APPR: BWOODMAN 2021/07/14
	0 PLACES	±----	INITIAL REVISION:
	ANGULAR TOL ± ---- °		DRWN: GGUSTAFS 2013/11/20
	DRAFT WHERE APPLICABLE MUST REMAIN WITHIN DIMENSIONS	THIRD ANGLE PROJECTION	APPR: BWOODMAN 2013/12/02
		DRAWING	SERIES
		C-SIZE	120065
		MATERIAL NUMBER	CUSTOMER
		SEE CHART	GENERAL MARKET
		DOCUMENT NUMBER	DOC TYPE/DOC PART/REVISION
		SD-120065-067	PSD 001 B
		SHEET NUMBER	
		1 OF 1	