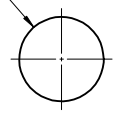
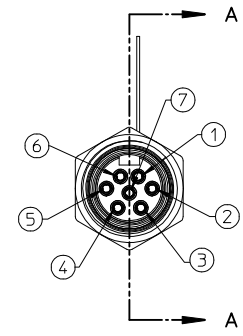
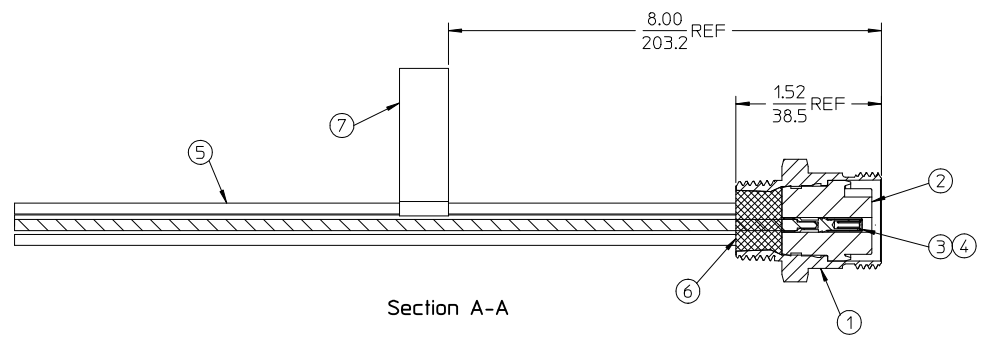
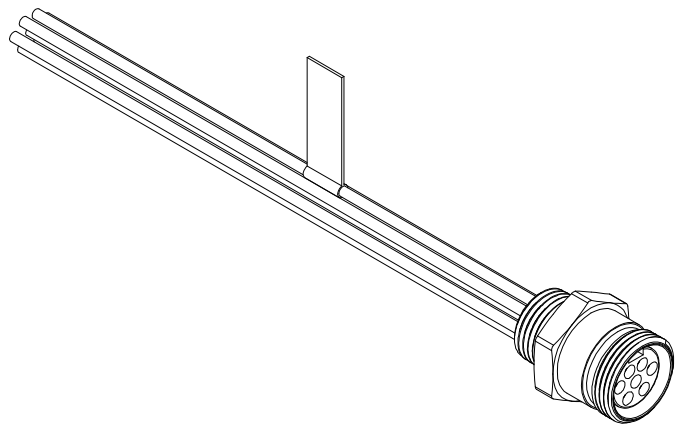
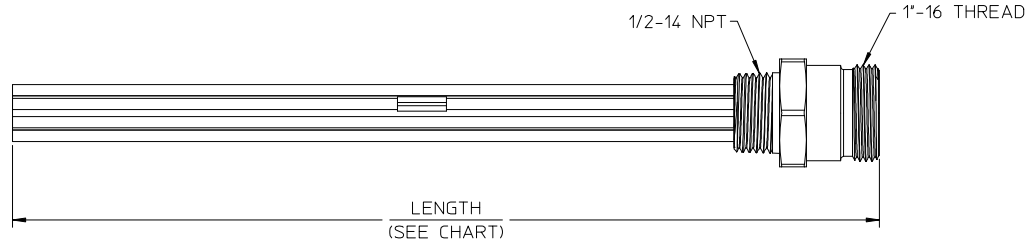


MATERIAL NO.	ENGINEERING NO.	LENGTH
1300140037	2R7004A20A120	12' +.75-0 [305mm +19.0-0]
1300140042	2R7004A20F060	6'0" +2.19-0 [1.8M +55.6-0]

φ .88
22.4



REF. KNOCK-OUT HOLE



1	WHITE/BLACK
2	BLACK
3	WHITE
4	RED
5	ORANGE
6	BLUE
7	GREEN/YELLOW-GND

- NOTES:
1. MATERIAL: SEE TABLE
 2. FINISHES: SEE TABLE
 3. MATES WITH: 7/C MINI-CHANGE CORD ASSY.
 4. ELECTRICAL SPECIFICATIONS:
VOLTAGE RATING: 600V AC/DC
CURRENT RATING: 8 AMPS
 5. RoHS COMPLIANT

ITEM	QTY.	DESCRIPTION	MATERIAL	FINISH
7	1	LABEL	PLASTIC FILM	BLACK/YELLOW
6	1	POTTING	EPOXY	
5	7	WIRE, 16 AWG (UL 1015)	PVC INSULATED	SEE WIRE DIAGRAM
4	7	SOCKET SLEEVE	ST.STEEL	
3	7	CONTACT SOCKET	BRASS	GOLD PLATED
2	1	INSERT	PVC	YELLOW
1	1	RECEPTACLE SHELL	ZINC ALLOY	E-COAT, BLACK

RELEASED
EC NO: MNA2009-0813
DRAWN: BRUPERT 2009/06/09
CHKD: BRUPERT
APPR: J. MURPHY 2009/06/10

QUALITY SYMBOLS
▽=0
▽=0

GENERAL TOLERANCES (UNLESS SPECIFIED)

	mm	INCH
4 PLACES	± .005	± .0005
3 PLACES	± .005	± .0005
2 PLACES	± .01	± .001
1 PLACE	± 0.3	± .012

ANGULAR ±1/2°

DRAFT WHERE APPLICABLE
MUST REMAIN
WITHIN DIMENSIONS

DIMENSION STYLE
IN/MM

DRAWN BY DATE
BRUPERT 06/05/2009

CHECKED BY DATE
B. WOODMAN 06/05/2009

APPROVED BY DATE
J. MURPHY 06/05/2009

MATERIAL NO.
SEE CHART

SIZE
C

SCALE 1:1
DESIGN UNITS INCH
THIRD ANGLE PROJECTION

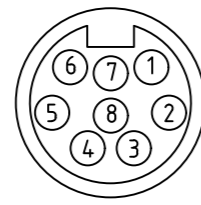
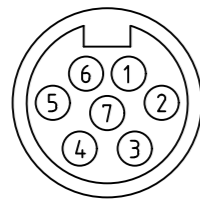
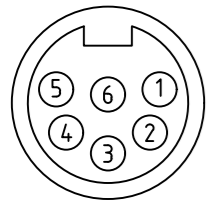
TITLE
MINI-CHANGE RECEPTACLE
FEMALE, 7 POLE
1/2 IN NPT

MOLEX INCORPORATED

DOCUMENT NO. SD-130014-006
SHEET NO. 1 OF 1

THIS DRAWING CONTAINS INFORMATION THAT IS PROPRIETARY TO MOLEX INCORPORATED AND SHOULD NOT BE USED WITHOUT WRITTEN PERMISSION

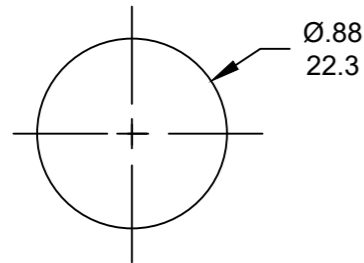
FACE VIEW-FEMALE INSERT



- 1 ORANGE
- 2 BLUE
- 3 BLACK
- 4 WHITE
- 5 RED
- 6 GREEN/YELLOW

- 1 WHITE/BLACK
- 2 BLACK
- 3 WHITE
- 4 RED
- 5 ORANGE
- 6 BLUE
- 7 GREEN/YELLOW

- 1 ORANGE
- 2 BLUE
- 3 WHITE/BLACK
- 4 BLACK
- 5 WHITE
- 6 RED
- 7 GREEN/YELLOW
- 8 RED/BLACK



REF. KNOCKOUT HOLE

NOTES:

1. MATERIAL: AS NOTED
2. FINISH: AS NOTED
3. ELECTRICAL:
 - VOLTAGE: 6 THRU 8P 600V PER UL 2238
 - 6P 400V PER IEC 60664
 - 7 & 8P 320V PER IEC 60664
 - CURRENT: 6 & 7 POLE: 8A
 - 8 POLE: 7A
4. TEMP RATING: -20°TO +105°C
5. PROTECTION: IP67 (WHEN MATED)
6. UL RECOGNIZED, FILE: E152210
CSA CERTIFIED, FILE: LR6837 (B)
7. ALL DIMENSIONS ARE FOR REFERENCE UNLESS TOLERANCED OR NOTED OTHERWISE

PART NO. MATRIX

2R8004A20M005

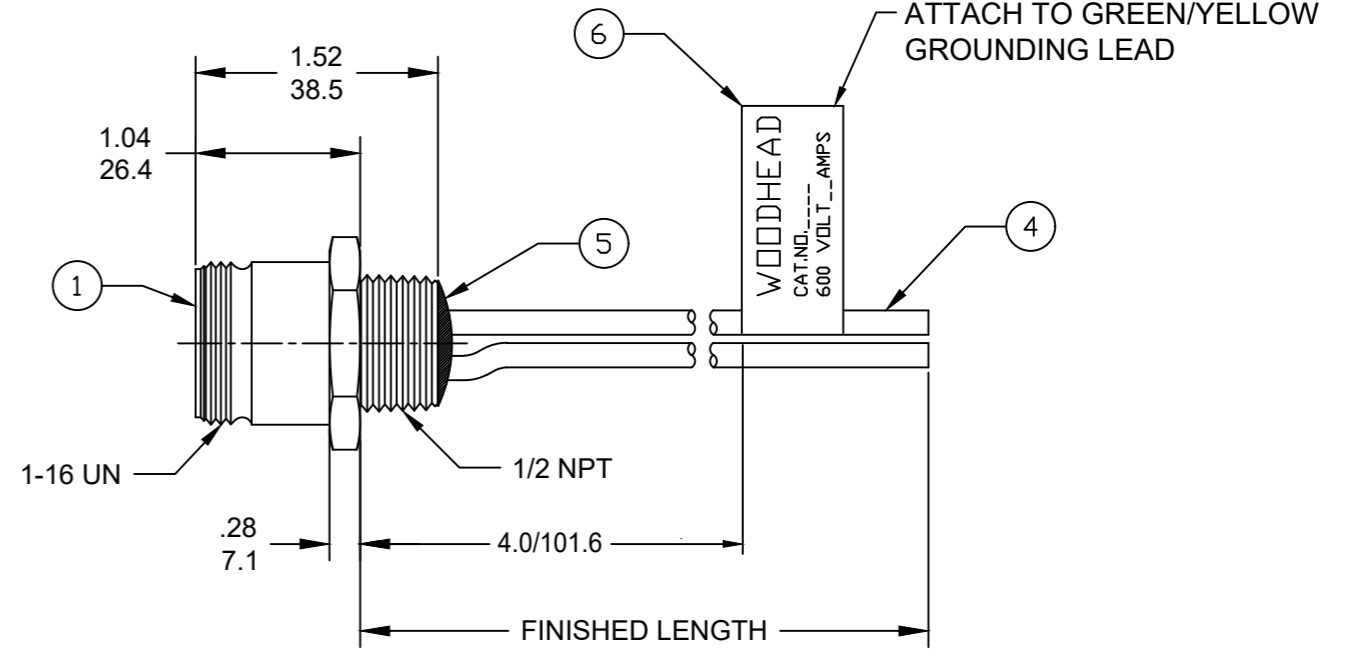
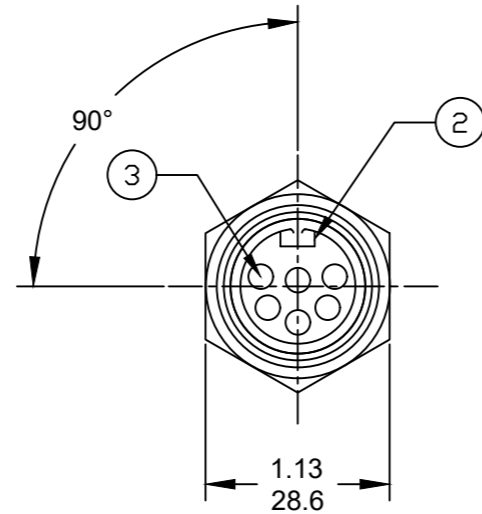
POLES
6-8

FINISHED LENGTH:
A120= 12 IN.
F020= 2 FEET
F200= 20 FEET

M005= 0.5 METER
M010= 1 METER
M100= 10 METER

CABLE LENGTH TOLERANCES

>.3M [1FT]:	+19mm-0 [+.75in-0]
.3 - .9M [1 - 3FT]:	+44.5mm-0 [+1.75in-0]
.9 - 1.8M [3 - 6FT]:	+55.6mm-0 [+2.19in-0]
1.8 - 3.7M [6 - 12FT]:	+88.9mm-0 [+3.50in-0]
3.7 - 7.3M [12 - 24FT]:	+165.1mm-0 [+6.50in-0]
7.3-14.6M [24 - 48FT]:	+317.5mm-0 [+12.50in-0]
14.6 - 30.5M [48-100FT]:	+622.3mm-0 [+24.50in-0]
OVER 30M [100FT]	+2% OF FINISHED LENGTH



(B) PART NO	ENGINEERING NO.	FINISHED LENGTH
1300140015	2R6004A20A120	12 IN [0.3M]
1300140042	2R7004A20F060	6 FT [1.8M]
1300140158	2R8004A20M040	4.0M [13 FT 1 IN]

ITEM	COMPONENT	MATERIAL	FINISH
6	FLAG LABEL	VINYL	BLACK/YELLOW
5	POTTING MATERIAL	EPOXY	
4	WIRE, 16 AWG UL (1015)	PVC INSULATION	SEE FACE VIEW
3	CONTACT SOCKET	COPPER ALLOY	GOLD PLATED
2	INSERT	TPE	YELLOW
1	RECEPTACLE SHELL	ZINC DIE-CAST	BLACK

DOCUMENT STATUS P1 RELEASE DATE 2020/07/27 17:35:18

FUNCTIONAL SYMBOLS F/A=0 F/C=0 F/P=0	THIS DRAWING CONTAINS INFORMATION THAT IS PROPRIETARY TO MOLEX ELECTRONIC TECHNOLOGIES, LLC AND SHOULD NOT BE USED WITHOUT WRITTEN PERMISSION							
	DIMENSION UNITS INCH/MM	SCALE ---			CURRENT REV DESC: ITEM #2 WAS PVC, CSA ADDED IN NOTES & MATERIAL TABLE MODIFIED			
	GENERAL TOLERANCES (UNLESS SPECIFIED)		EC NO: 641453 DRWN: ABENJAMINLW 2020/05/18 CHK'D: RSTONE 2020/07/20 APPR: BWOODMAN 2020/07/27					
	DIVISIONAL SYMBOLS		INITIAL REVISION: DRWN: RSTONE 2016/12/07 APPR: BWOODMAN 2017/01/16					
DRAFT WHERE APPLICABLE MUST REMAIN WITHIN DIMENSIONS		THIRD ANGLE PROJECTION	DRAWING B-SIZE	SERIES 130014	DOCUMENT NUMBER SD-130014-009	DOC TYPE PSD	DOC PART 001	REVISION B
MATERIAL NUMBER SEE_CHART		CUSTOMER GENERAL MARKET		SHEET NUMBER 1 OF 1				