

PART NUMBER	ENGINEERING NO.	FINISHED LENGTH
1300270012	DND02A-M010	3' 3" [1M]
1300270014	DND02A-M020	6' 7" [2M]
1300270015	DND02A-M030	9' 10" [3M]
1300270016	DND02A-M040	13' 1" [4M]
1300270017	DND02A-M050	16' 5" [5M]

ⓑ CABLE LENGTH TOLERANCES

>.3M [1FT]: +19mm-0 [+.75in-0]

.3 - .9M [1 - 3FT]: +44.5mm-0 [+1.75in-0]

.9 - 1.8M [3 - 6FT]: +55.6mm-0 [+2.19in-0]

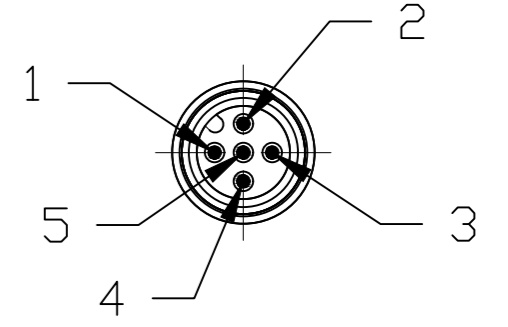
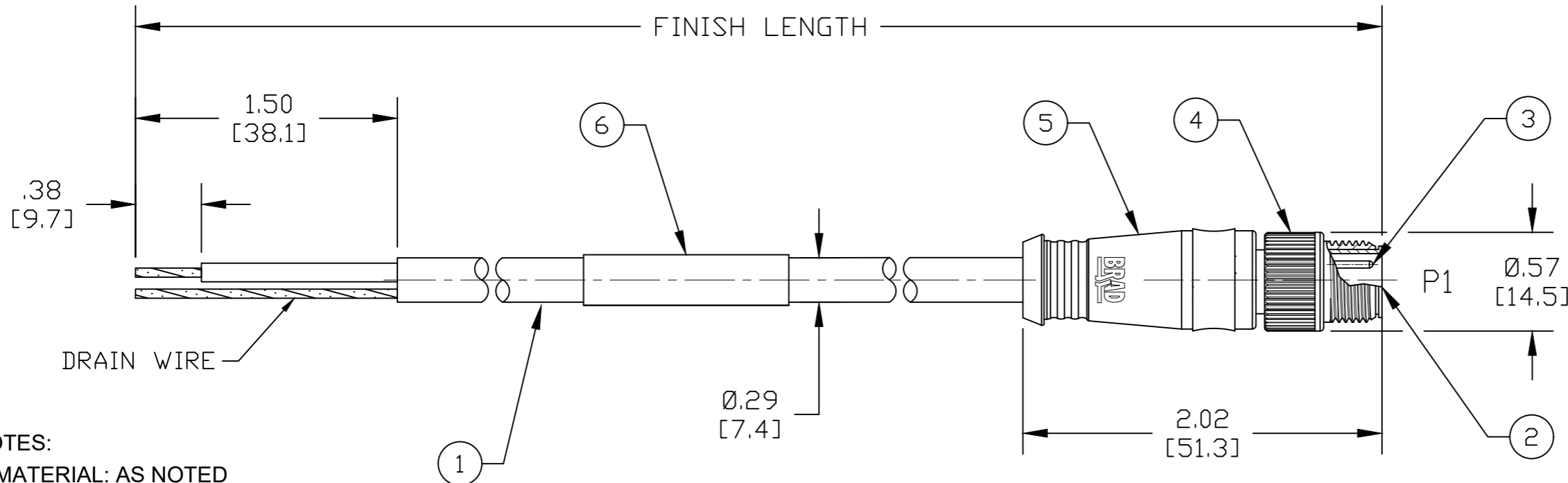
1.8 - 3.7M [6 - 12FT]: +88.9mm-0 [+3.50in-0]

3.7 - 7.3M [12 - 24FT]: +165.1mm-0 [+6.50in-0]

7.3-14.6M [24 - 48FT]: +317.5mm-0 [+12.50in-0]

14.6 - 30.5M [48-100FT]: +622.3mm-0 [+24.50in-0]

OVER 30M [100FT] +2% OF FINISHED LENGTH

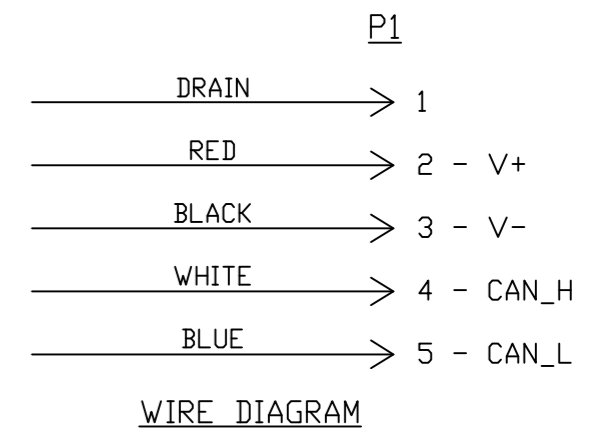


- ⓑ NOTES:**
- MATERIAL: AS NOTED
 - FINISH: AS NOTED
 - ELECTRICAL:
VOLTAGE: 250V
CURRENT: 4A
 - TEMP RATING: -20°C TO +80°C
 - PROTECTION: IP67 (WHEN MATED)
 - COUPLING THREAD: M12 X 1.0
 - UL LISTED FILE: E152210
CSA CERTIFIED: LR6837
 - ALL DIMS ARE FOR REFERENCE UNLESS TOLERANCED OR NOTED OTHERWISE

ⓑ PART NUMBER LEGEND

DND02A-M010

FINISHED LENGTH:
M005= 0.5 METER
M010= 1.0 METER
M100= 10.0 METERS



ITEM	DESCRIPTION	MATERIAL	FINISH
6	LABEL	VINYL	BLACK/YELLOW
5	OVERMOLD	TPC ⓑ	GRAY
4	M12 COUPLING NUT	ZINC DIE-CAST	BLACK
3	CONTACT PIN	COPPER ALLOY	GOLD PLATED
2	INSERT, 5P MALE	NYLON	BLACK
1	DEVICENET DROP CABLE, 22 AWG	PVC JACKET	GRAY

FUNCTIONAL SYMBOLS		THIS DRAWING CONTAINS INFORMATION THAT IS PROPRIETARY TO MOLEX ELECTRONIC TECHNOLOGIES, LLC AND SHOULD NOT BE USED WITHOUT WRITTEN PERMISSION			
DIMENSION UNITS		SCALE			
INCH/MM		1:1		CURRENT REV DESC: ADD P/NS TO TABLE, UPDATE NOTES, ADD CABLE LENTH TOLS. & P/N LEGEND, O-MOLD WAS PVC, UPDATE BORDER	
GENERAL TOLERANCES (UNLESS SPECIFIED)		EC NO: 643410		DRWN: RSTONE 2020/08/14	
4 PLACES ±----		mm		CHK'D: CCHRSTKA 2020/08/17	
3 PLACES ±----		INCH		APPR: BWOODMAN 2020/08/17	
2 PLACES ±----		±0.005		INITIAL REVISION:	
1 PLACE ±----		±0.01		DRWN: VOU 2009/07/30	
0 PLACES ±----		±0.02		APPR: JFMURPHY 2009/08/10	
DIVISIONAL SYMBOLS		ANGULAR TOL ± 0.5 °		DOCUMENT NUMBER	
DRAFT WHERE APPLICABLE MUST REMAIN WITHIN DIMENSIONS		THIRD ANGLE PROJECTION		SD-130027-001	
DRAWING		SERIES		DOC TYPE DOC PART REVISION	
B-SIZE		130027		PSD 001 B	
MATERIAL NUMBER		CUSTOMER		SHEET NUMBER	
SEE P/N LEGEND		GENERAL MARKET		1 OF 1	