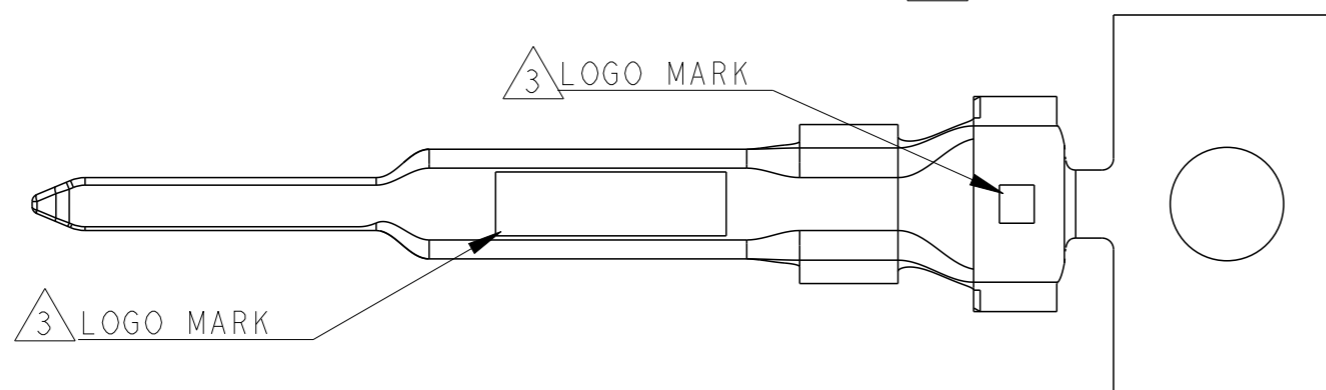
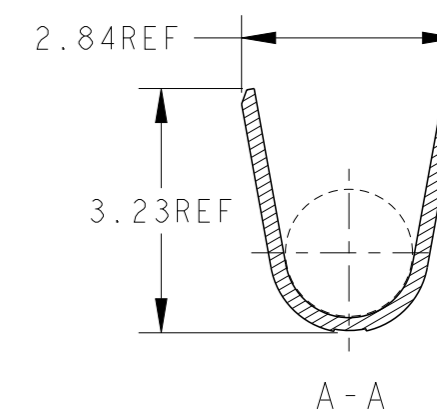
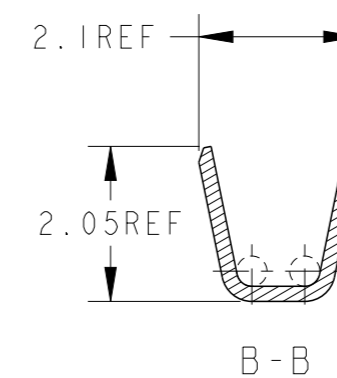
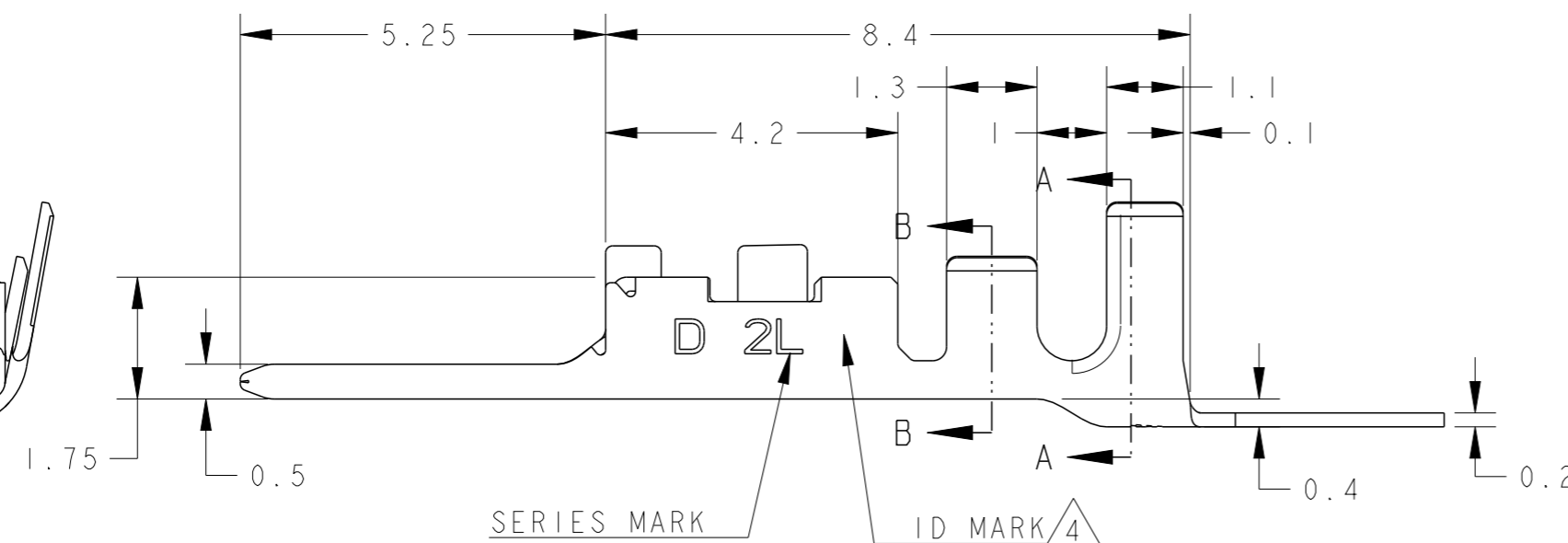
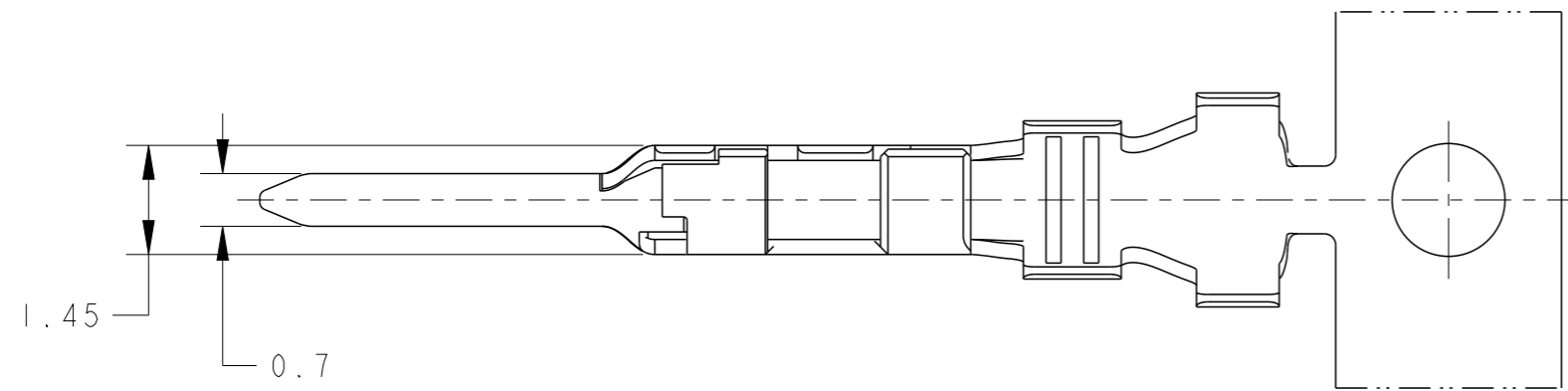


P	LTR	DESCRIPTION	DATE	DWN	APVD
	C	REVISED PER ECR-19-016494	24OCT2019	F.Z	R.B
	D	REVISED PER ECR-22-142637	16JUN2022	RI	TS

AS SHOWN: 1903114-2



D 2L 4	MATERIAL: COPPER ALLOY FINISH: CONTACT AREA Au 0.2umMIN, OVER Ni 1.27umMIN	1903114-4
D 2L	MATERIAL: COPPER ALLOY FINISH: CONTACT AREA Au 0.38umMIN, OVER Ni 1.27umMIN	1903114-2
SERIES MARK	MATERIAL	PART NO

WIRE RANGE		AWG#22~#18	INSULATION DIA	
mm <sup>2</sup> 0.34~0.86		Ø1.4~Ø2.2		
DWN M. MAEBASHI 11APR2006		TE Connectivity		
CHK T. KUDO 11APR2006				
APVD D. MITSUGI 11APR2006		NAME		
PRODUCT SPEC 108-78268		DYNAMIC DI000 SERIES		
APPLICATION SPEC 114-5377		TAB CONTACT Au, 2L-TYPE REEL		
SIZE	CAGE CODE	DRAWING NO	RESTRICTED TO	
A3	00779	©-1903114		
CUSTOMER DRAWING		SCALE 10:1	SHEET 1 OF 1	REV D

- APPLICATION TAB-HSG IS APPLIED TO THE PRODUCT OF 2.5mm PITCH OR MORE OF DYNAMIC DI000 SERIES. 2.0mm PITCH CANNOT BE USED.
- THE SHAPE, SIZE AND POSITION OF THE CHARACTER SHOW THE OUTLINE. THEY DON'T SHOW DETAILS.
- ALTERNATIVE LOGO MARK FOR DIFFERENT DIE.
- ALTERNATIVE ID MARK, WITH "■" OR NO MARK.

THIS DRAWING IS A CONTROLLED DOCUMENT.	
DIMENSIONS:	TOLERANCES UNLESS OTHERWISE SPECIFIED:
mm	±0.3, ±3°
	0 PLC ±
	1 PLC ±
	2 PLC ±
	3 PLC ±
	4 PLC ±
ANGLES	±3°
MATERIAL	FINISH
SEE TABLE	SEE TABLE