

注記:

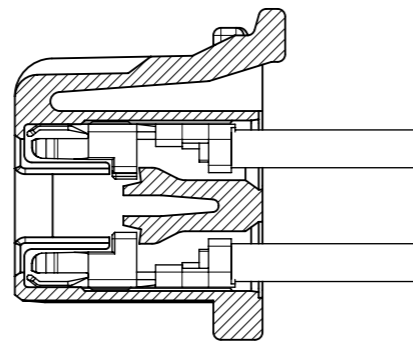
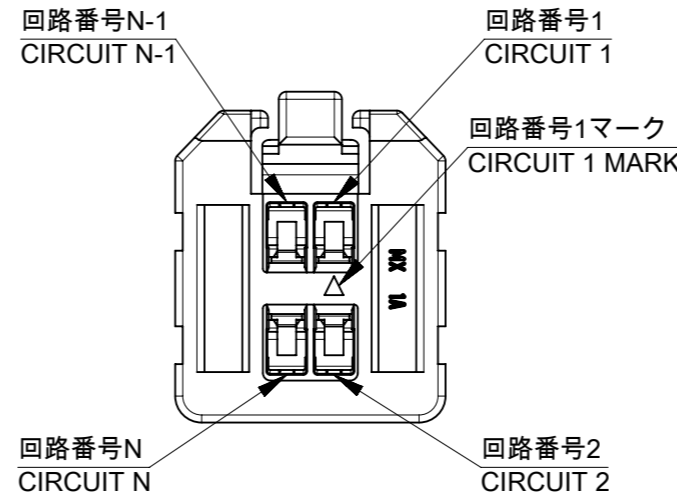
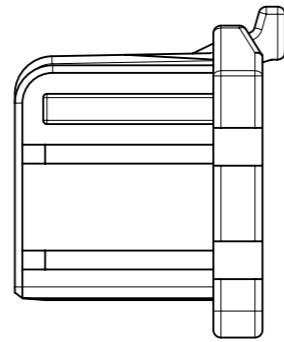
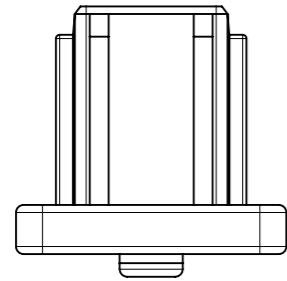
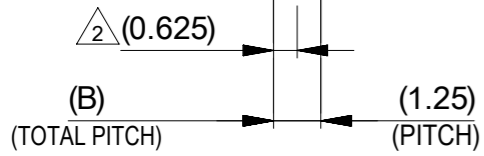
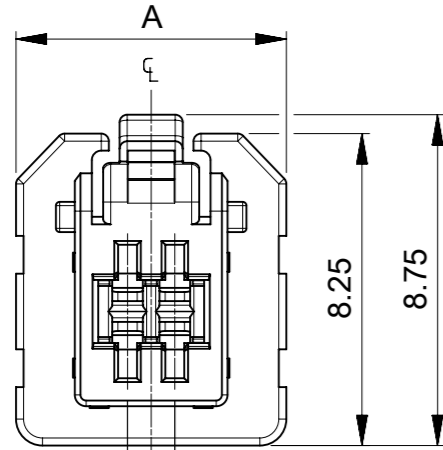
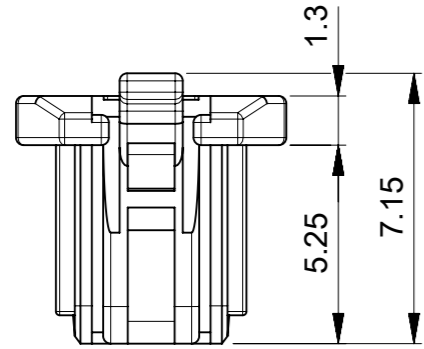
NOTES:

- ① 材質：TABLE 1参照
MATERIAL：SEE TABLE 1
- ② 極数 / 2 = 偶数に適用。
APPLY TO CIRCUIT SIZE / 2 = EVEN
- ③ 製品仕様書、コネクタ取扱説明書、適用嵌合相手、適用端子は SHEET 2をご参照ください。
PLEASE REFER TO SHEET 2 FOR PRODUCT SPECIFICATION, APPLICATION SPECIFICATION, MATE WITH AND APPLICABLE TERMINAL.
- ④ オーダー番号：SHEET 2 参照
ORDER NUMBER：PLEASE REFER TO SHEET 2

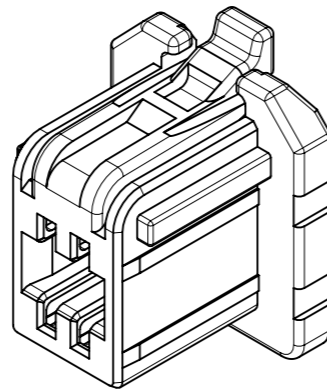
204523**0*

極数
CIRCUIT SIZE

| 番号 NO. | ハウジングカラー HOUSING COLOR |
|-----------|-----------------------------|
| 0 | ナチュラル(白) NATURAL (WHITE) |
| 1 | 黒 BLACK |
| 2 | 赤 RED |
| 3 | 黄 YELLOW |
| 4 | 青 BLUE |



ターミナル装着図
TERMINAL ASSEMBLY DRAWING



| | | |
|------|------|--------------------|
| 2.5 | 8.4 | 6 |
| 1.25 | 7.15 | 4 |
| B | A | 極数 CIRCUIT SIZE |

① TABLE 1

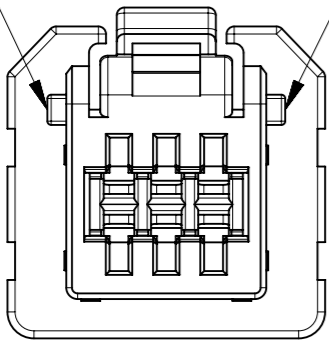
| 部品 PART | 材質 MATERIAL |
|------------------|--|
| ハウジング HOUSING | ポリエステル(PBT) UL94V-0 色：SHEET 2 参照 POLYESTER(PBT) UL94V-0 COLOR:SEE SHEET 2 |

| DOCUMENT STATUS | P1 | RELEASE DATE | 2023/02/16 | 15:22:28 |
|-----------------|----|--------------|------------|----------|
|-----------------|----|--------------|------------|----------|

| DIMENSION UNITS | | SCALE | CURRENT REV DESC: | | | DOCUMENT NUMBER | | | DOC TYPE | DOC PART | REVISION |
|--|--|-------|-----------------------------|--|--|-----------------|--|--|---|----------|----------|
| mm | | NTS | EC NO: 736271 | | | 2045230001-SD | | | PSD | 000 | B |
| GENERAL TOLERANCES (UNLESS SPECIFIED) | | | DRWN: SOKUMURA01 2022/12/27 | | | 2045230001-SD | | | MICRO-LOCK PLUS 1.25 W/B DUAL ROW RECEPTACLE HOUSING COLOR POLARIZATION | | |
| ANGULAR TOL ± 3.0 ° | | | CHK'D: SAKIYAMA 2023/02/16 | | | 2045230001-SD | | | PRODUCT CUSTOMER DRAWING | | |
| 4 PLACES ± 0.2 | | | APPR: AIDA 2023/02/16 | | | 2045230001-SD | | | INITIAL REVISION: | | |
| 3 PLACES ± 0.2 | | | DRWN: SOKUMURA01 2019/06/12 | | | 2045230001-SD | | | SERIES | | |
| 2 PLACES ± 0.2 | | | APPR: KOMURAKAMI 2020/01/16 | | | 2045230001-SD | | | MATERIAL NUMBER | | |
| 1 PLACE ± 0.2 | | | DRWN: SOKUMURA01 2019/06/12 | | | 2045230001-SD | | | CUSTOMER | | |
| 0 PLACES ± 0.2 | | | APPR: KOMURAKAMI 2020/01/16 | | | 2045230001-SD | | | SHEET NUMBER | | |
| DRAFT WHERE APPLICABLE MUST REMAIN WITHIN DIMENSIONS | | | THIRD ANGLE PROJECTION | | | DRAWING | | | A3-SIZE | | |
| | | | | | | SERIES | | | 204523 | | |
| | | | | | | MATERIAL NUMBER | | | SEE SHEET 2 | | |
| | | | | | | CUSTOMER | | | GENERAL | | |
| | | | | | | SHEET NUMBER | | | 1 OF 2 | | |

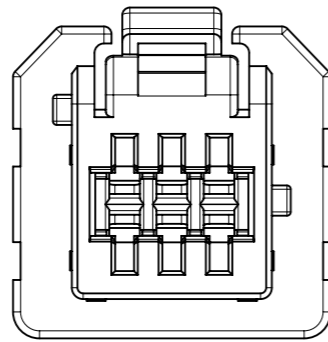
カラー & キー位置 (4,6極) COLOR & KEY POSITION (4, 6 CIRCUIT)

極性キー
POLARIZATION KEY

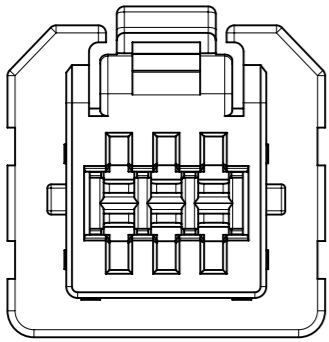


204523**00
ナチュラル (白)
NATURAL (WHITE)

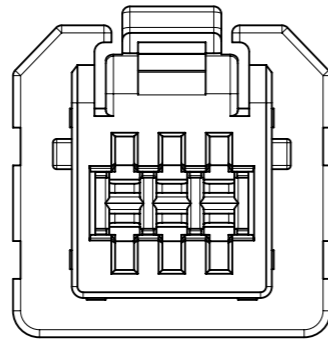
極性キー
POLARIZATION KEY



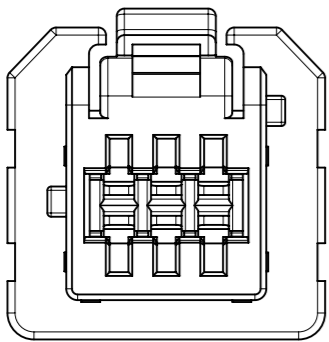
204523**03
黄
YELLOW



204523**01
黒
BLACK



204523**04
青
BLUE



204523**02
赤
RED

△ 適用製品及び各種仕様書 APPLICABLE PRODUCTS AND VARIOUS SPECIFICATIONS

| | | | |
|--|--------------------------|----------------------|----------------|
| 梱包仕様書 PACKAGING SPECIFICATION | PART NUMBER | SPECIFICATION NUMBER | |
| | 2045230*0* | 2045239200SPK PS 200 | |
| 適用端子 APPLICABLE TERMINAL | PART NUMBER | PLATING TYPE | WIRE SIZE(AWG) |
| | 5054311000 | TIN | #26-30 |
| 適用嵌合相手 MATE WITH | TIN PLATING | | |
| | VERTICAL FOR POTTING | | |
| シリーズ番号 SERIES NO. | 207760**** (4-6 CIRCUIT) | | |
| 製品仕様書 PRODUCT SPECIFICATION | 2045230001-PS PS 000 | | |
| コネクタ取扱説明書 APPLICATION SPECIFICATION | 5054320000-AS PS 000 | | |

△ 204523**0* 発注番号一覧 ORDER NUMBER LIST

| NOT COMPLIANT | | | COMPLIANT | | LOW HALOGEN |
|---|------------|------------|------------|-----------------|--------------------|
| BLUE | YELLOW | RED | BLACK | NATURAL (WHITE) | HOUSING COLOR |
| 2045230604 | 2045230603 | 2045230602 | 2045230601 | 2045230600 | 6 |
| 2045230404 | 2045230403 | 2045230402 | 2045230401 | 2045230400 | 4 |
| 発注番号 ORDER NUMBER | | | | | 極数 CIRCUIT SIZE |
| 梱包形態 : ポリ袋 PACKAGING : POLYBAG PACKAGE | | | | | |

| | | | | | | | | | | |
|---|-----------------------------|-----------------------------|---------|--------|-----------------|-----------------|---|--|--|---------------|
| THIS DRAWING CONTAINS INFORMATION THAT IS PROPRIETARY TO MOLEX ELECTRONIC TECHNOLOGIES, LLC AND SHOULD NOT BE USED WITHOUT WRITTEN PERMISSION | | | | | | | | | | |
| DIMENSION UNITS | SCALE | CURRENT REV DESC: | | | | | | | | |
| mm | NTS | | | | | | | | | |
| GENERAL TOLERANCES (UNLESS SPECIFIED) | | EC NO: 736271 | | | | | MICRO-LOCK PLUS 1.25 W/B DUAL ROW RECEPTACLE HOUSING COLOR POLARIZATION PRODUCT CUSTOMER DRAWING | | | |
| ANGULAR TOL ± 3.0° | | DRWN: SOKUMURA01 2022/12/27 | | | | | | | | |
| 4 PLACES ± 0.2 | CHK'D: SAKIYAMA 2023/02/16 | | | | | DOCUMENT NUMBER | | | | |
| 3 PLACES ± 0.2 | APPR: AIDA 2023/02/16 | | | | | | | | | 2045230001-SD |
| 2 PLACES ± 0.2 | INITIAL REVISION: | | | | | DOC TYPE | | | | |
| 1 PLACE ± 0.2 | DRWN: SOKUMURA01 2019/06/12 | | | | | | | | | PSD |
| 0 PLACES ± 0.2 | APPR: KOMURAKAMI 2020/01/16 | | | | | DOC PART | | | | |
| DRAFT WHERE APPLICABLE MUST REMAIN WITHIN DIMENSIONS | | THIRD ANGLE PROJECTION | DRAWING | SERIES | MATERIAL NUMBER | | | | | CUSTOMER |
| | | | A3-SIZE | 204523 | SEE CHART | GENERAL | 000 B | | | |
| | | | | | | | SHEET NUMBER | | | |
| | | | | | | | 2 OF 2 | | | |