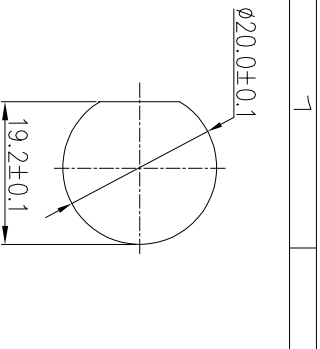
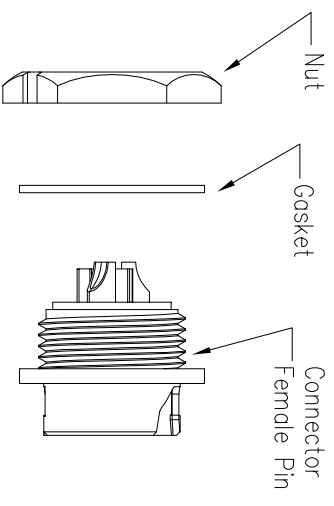
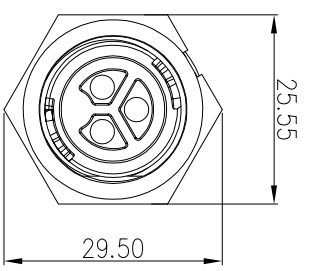
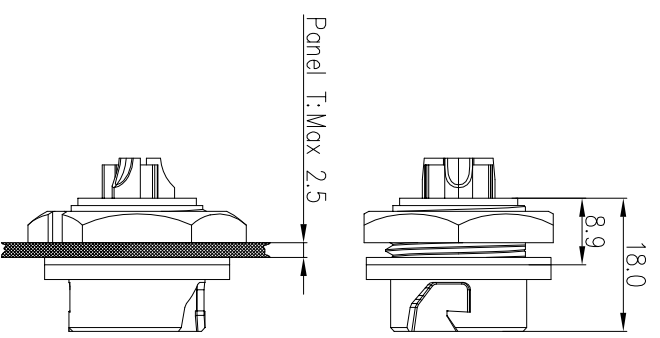


REV.	EN. NO.	DESCRIPTION	SIGN	DATE
C1	N/A	INITIAL DRAWING	Liu	2019/08/13

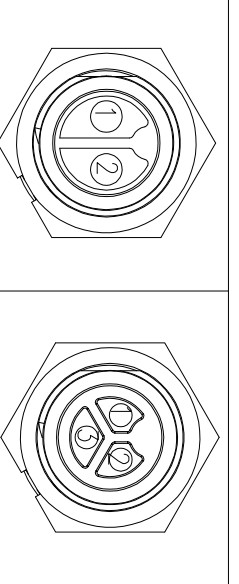


Recommended Panel Cut-Out



Specification:

1. Operation Temperature:  $-45^{\circ}\text{C} \sim 105^{\circ}\text{C}$ .
2. Insulation Resistance:  $100\text{M}\Omega$  at DC500V.
3. Contact Resistance:  $<10\text{m}\Omega$ .
4. Withstand Voltage: 2000V AC
5. Operating Current: 20A
6. Operating Voltage: AC 300V
7. Waterproof Rate: IP67 (Mated)
8. Housing: Nylon, Black
9. Female Pin: Copper Alloy, Gold Plated
10. Gasket: Silicon Gray
11. Panel Nut: Nylon, Blue
12. Torque Rate:  $0.8 \sim 1.0\text{N} \cdot \text{m}$
13. RoHS Compliant.
14. UL Compliant.
15. Mating Cap P/N: 806-00103-00



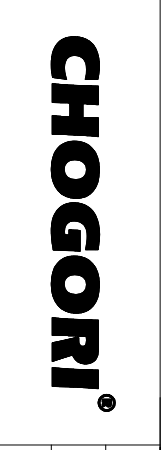
23XXXX635-03  
Pin Number

2 Pin  
P/N: 23002635-03

3 Pin  
P/N: 23003635-03

Pin Assignments Front View

UNIT: mm	DESCRIPTION	
TOLERANCE	Middle Series Push Lock	
.X	SCALE	Rear Mount With Female Pin
.XX	1:1	
.XXX	SIZE	A4
ANGLES	SHEET	1 OF 1
	REV.	C1
	* : Inspection Item	



PART NO	23XXXX635-03	DRAWN BY	Liu	DATE	2019/08/13
DWG NO		CHECKED BY	Mio	DATE	2019/08/13
CUSTOMER		APPROVED BY	Panson	DATE	2019/08/13