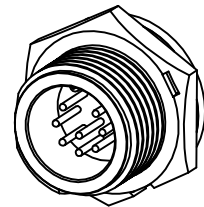
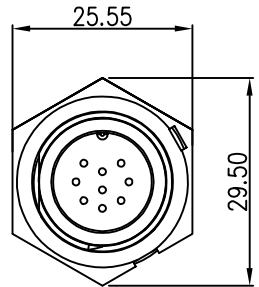
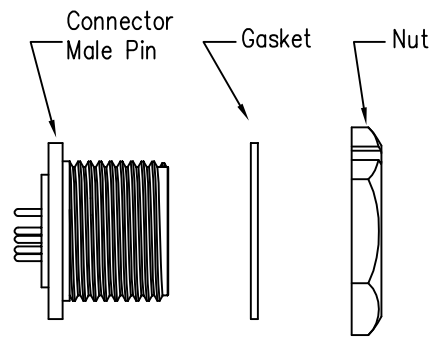
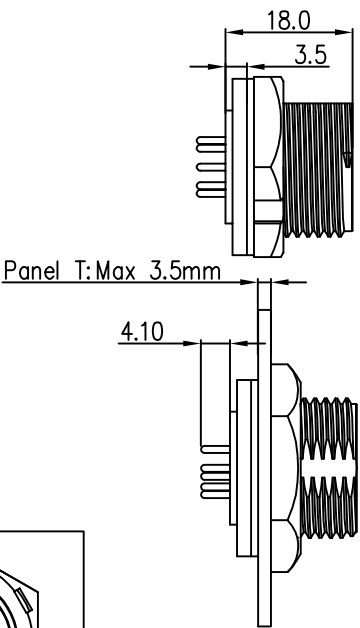
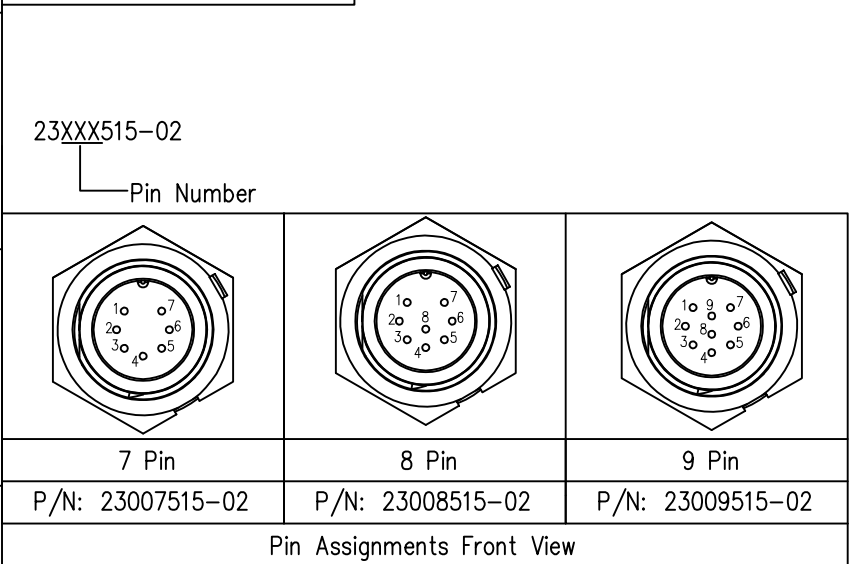
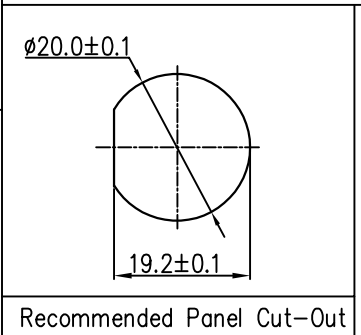
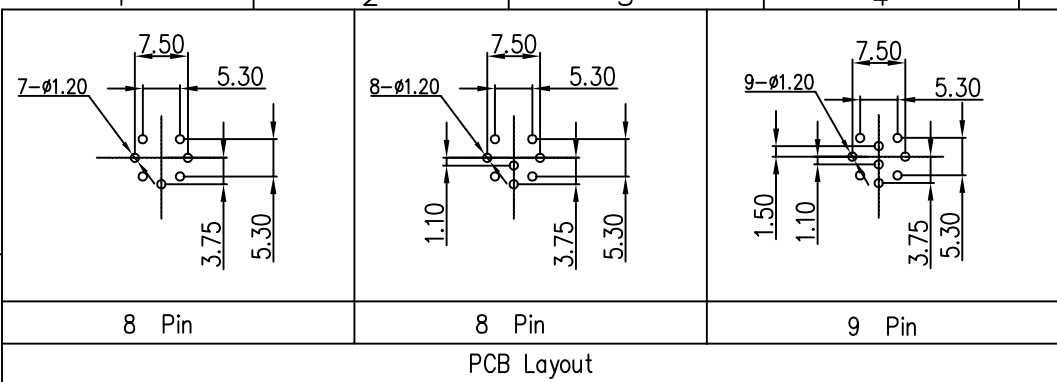


THIS INFORMATION IS CONFIDENTIAL AND IS DISCLOSED TO YOU ON CONDITION THAT NO FURTHER DISCLOSURE IS MADE BY YOU TO OTHER THAN CHOGORI PERSONNEL WITHOUT AUTHORIZATION FROM CHOGORI CORP.

REV.	ECN NO.	DESCRIPTION	SIGN	DATE
C1	N/A	INITIAL DRAWING	Liu	2020/05/13



- Specification:
- 1.Operation Temperature: -45°C~105°C.
  - 2.Insulation Resistance:100MΩ at DC500V.
  - 3.Contact Resistance:<10mΩ
  - 4.Withstand Voltage: 1300V AC
  - 5.Operating Current: 5A
  - 6.Operating Voltage:DC 60V
  - 7.Waterproof Rate:IP67 (Mated)
  - 8.Housing: Nylon, Black
  - 9.Male Pin: Copper Alloy, Gold Plated
  - 10.Gasket: Silicon Gray
  - 11.Panel Nut: Nylon, Black
  - 12.Torque Rate: 0.8~1.0N·m
  - 13.RoHS Compliant.
  - 14.Mating Cap P/N: 806-00021-00

UNIT:mm		DESCRIPTION Middle Series Screw Type Front Mount With Male Pin	<b>CHOGORI</b>	PART NO 23XXX515-02	DRAWN BY Liu	DATE 2020/05/17
TOLERANCE .X ±0.25 .XX ±0.15 .XXX ±0.05 ANGLES ±1°	SCALE 1:1	SHEET 1 OF 1		DWG NO	CHECKED BY Mo	DATE 2020/05/17
REV. C1	SIZE A4	* : Inspection Item		CUSTOMER	APPROVED BY Panson	DATE 2020/05/17