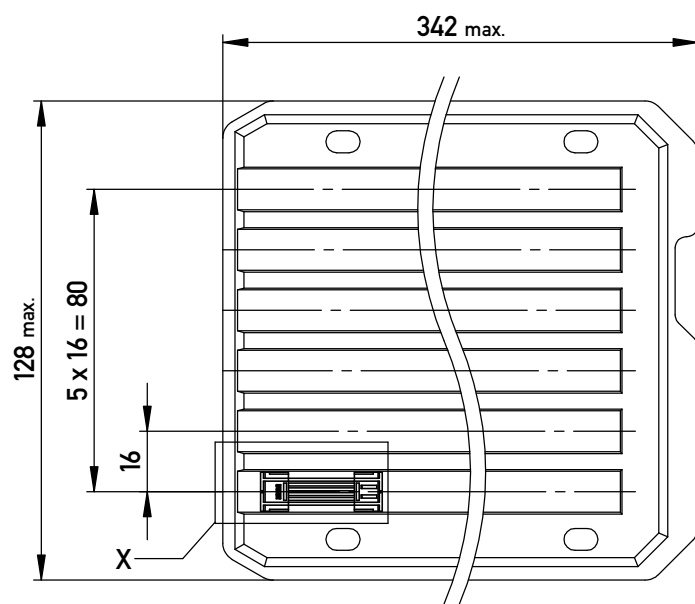
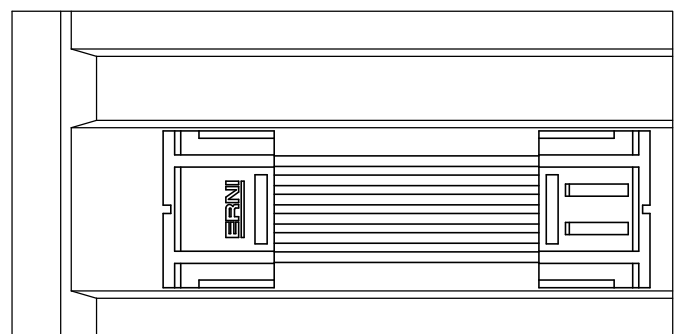


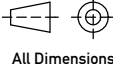
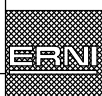
Verpackt in Tray -tray packaging  
 Verpackungseinheit 54 Stück -packaging unit 54



Einzelheit X (M 2:1)  
 detail X (scale 2:1)



Adapterstück für board-to-board Abstand von 34mm (beidseitig verbaut mit Federleiste: 154805, Low Profile)  
 Adapter for board-to-board height 34mm (in combination with two female connectors: 154805, low profile)

Information:  All rights reserved. Only for Information. To ensure that this is the latest version of this drawing, please contact one of the ERNI companies before using.	Tolerances   All Dimensions in mm	Scale <b>3:1</b>	Designation <b>1,27 DRC BTB 34mm 12-polig</b> <b>1,27 DRC BTB 34mm 12-polig</b>	
b Index	05.08.2016 Date	 www.ERNI.com	Class DRCBTB	I <b>A3</b>

Copyright by ERNI Production GmbH & Co. KG  
 Proprietary notice pursuant to ISO 16016 to be observed.