

TN. Oil plugs

flat packing ring, technopolymer



- 1
- 2
- 3
- 4
- 5
- 6
- 7
- 8
- 9
- 10
- 11
- 12
- 13
- 14
- 15
- 16
- 17
- 18

MATERIAL

Glass-fibre reinforced polyamide based (PA) technopolymer, black colour, matte finish.

PACKING RING

NBR synthetic rubber.

STANDARD EXECUTIONS

- **TN.**: without side hole.
- **TNF.**: with side breather hole.

MAXIMUM CONTINUOUS WORKING TEMPERATURE

100°C.

TECHNICAL DATA

The tightening torque indicated in the table guarantees an optimal tightness, keeping the packing ring in the correct position.

OTHER STANDARD EXECUTIONS

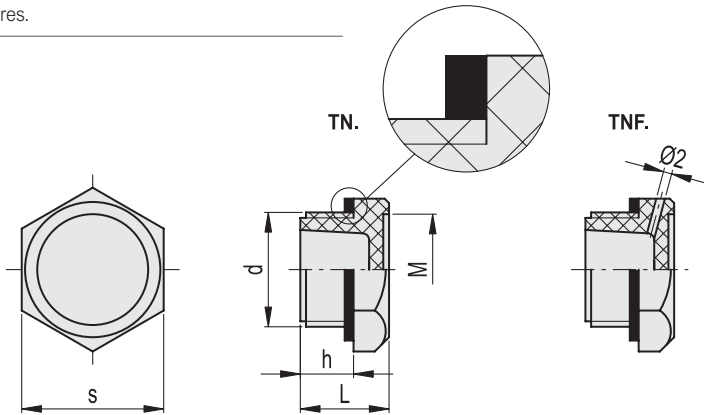
- TCD. (see page 1516): oil fill plugs.
- TSD. (see page 1518): oil drain plugs.

SPECIAL EXECUTION ON REQUEST

Oil plugs for high temperatures.



ELESA Original design



TN.		TNF.		METRIC					METRIC	
Code	Description	Code	Description	d	h	s	L	M	Tightening torque [Nm]	⚖️
58284	TN.10x1.5	58334	TNF.10x1.5	M10x1.5	9	19	16	15	4+5	4
58285	TN.12x1.5	58335	TNF.12x1.5	M12x1.5	9	19	16	15	6+8	4
58286	TN.14x1.5	58336	TNF.14x1.5	M14x1.5	9	19	16	15	6+8	5
58287	TN.16x1.5	58337	TNF.16x1.5	M16x1.5	9	22	16	17	8+10	7
58288	TN.18x1.5	58338	TNF.18x1.5	M18x1.5	11	26	18	20.5	8+10	8
58289	TN.20x1.5	58339	TNF.20x1.5	M20x1.5	11	26	18	20.5	8+10	8
58290	TN.22x1.5	58340	TNF.22x1.5	M22x1.5	12	32	20	25	10+12	12
58291	TN.25x1.5	58343	TNF.25x1.5	M25x1.5	12	32	20	25	10+12	12
58292	TN.26x1.5	58344	TNF.26x1.5	M26x1.5	12	32	20	25	10+12	14
58293	TN.35x1.5	58345	TNF.35x1.5	M35x1.5	13	38	22	31	15+18	15
58401	TN.40x1.5	58451	TNF.40x1.5	M40x1.5	14	46	24	38	15+18	20

TN.		TNF.		BSP					METRIC	
Code	Description	Code	Description	Thread	h	s	L	M	Tightening torque [Nm]	⚖️
58294	TN.1/8	58346	TNF.1/8	G 1/8	9	19	16	15	4+6	4
58295	TN.1/4	58347	TNF.1/4	G 1/4	9	19	16	15	4+6	4
58296	TN.3/8	58348	TNF.3/8	G 3/8	9	22	16	17	8+10	5
58297	TN.1/2	58349	TNF.1/2	G 1/2	11	26	18	20.5	8+10	8
58298	TN.3/4	58350	TNF.3/4	G 3/4	12	32	20	25	10+12	14
58299	TN.1	58353	TNF.1	G 1	13	38	22	31	12+15	18
58411	TN.1¼	58461	TNF.1 ¼	G 1 ¼	14	46	24	38	15+18	20
58413	TN.1½	58463	TNF.1 ½	G 1 ½	15	55	26	46	15+18	24

Accessories for hydraulic systems