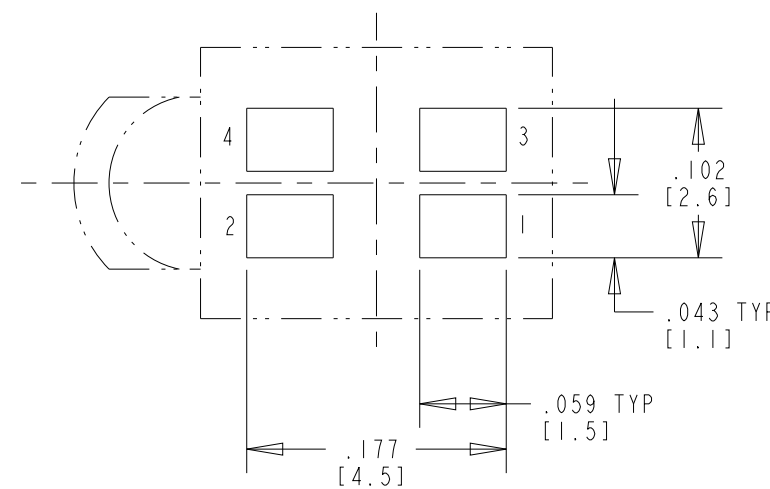
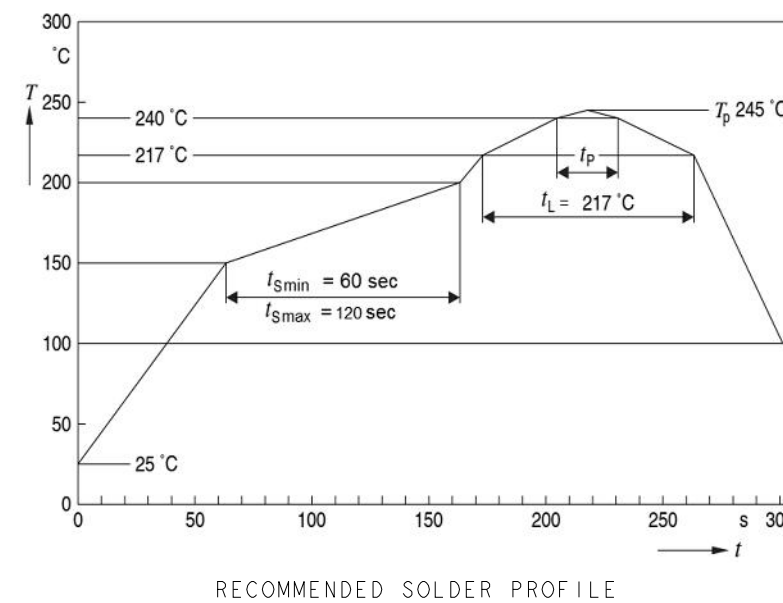
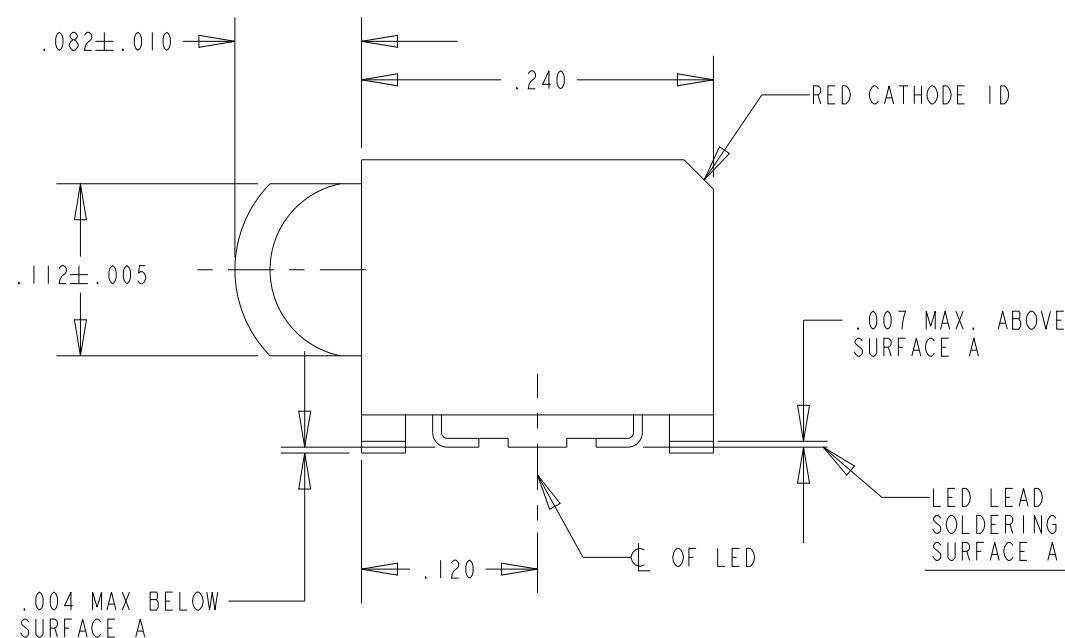
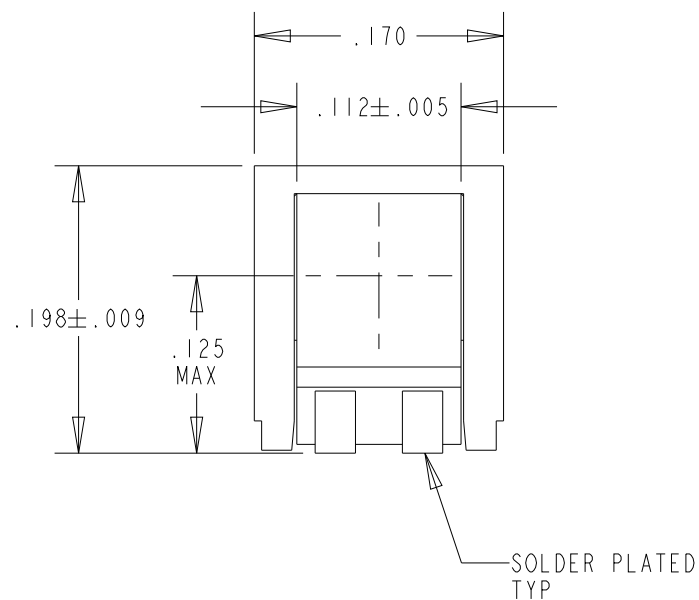


OPERATING CHARACTERISTICS AT 25°C AMBIENT

LED COLOR	LUMINOUS INTENSITY @ I _F = 10 mA (mcd)			FORWARD VOLTAGE @ I _F = 2 mA (V)		REVERSE CURRENT (μA) V = 12V		DOMINANT WAVELENGTH (nm)			PEAK WAVELENGTH (nm)
	MIN	TYP	MAX	TYP	MAX	TYP	MAX	MIN	TYP	MAX	TYP
RED	—	17	—	1.8	2.2	0.01	10	624	630	636	643
RED/GRN	—	13	—	—	—	—	—	566	570	575	572



COMPONENT SIDE
RECOMMENDED PC BOARD LAND PATTERN
(DIM'S ± .004)



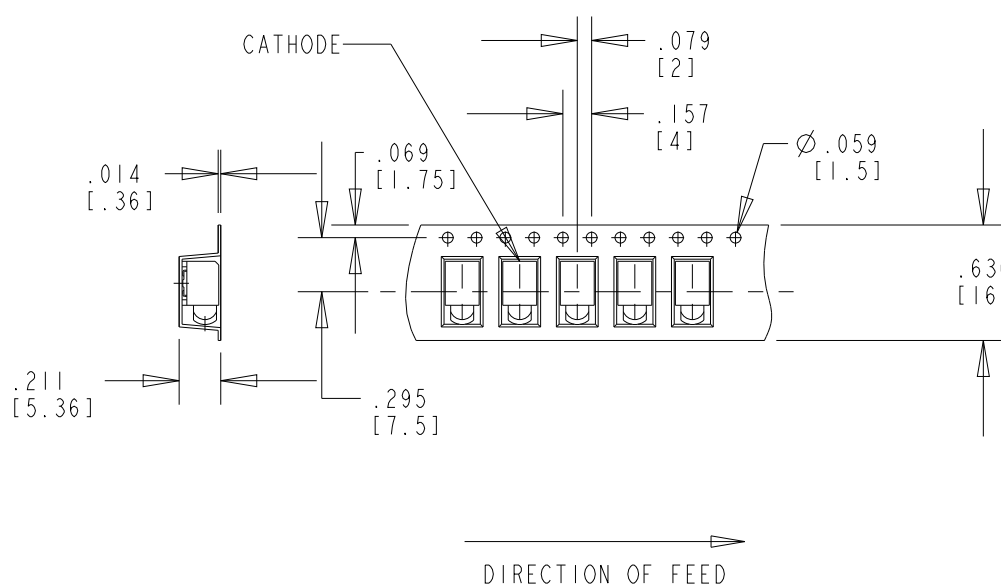
REV.	ECN NO.	REVISIONS	DRN.	CKD.	APP.	DATE
A	—	NEW RELEASE	TWC	—	—	8-8-05
B	—	UPDATED SOLDER PROFILE, REVERSE VOLTAGE	BP	—	NO	8-8-17
C	—	UPDATED LED SPECS FOR THE NEW LED	BP	—	NO	8-23-17
D	—	UPDATED CONTINUOUS FORWARD CURRENT, WAS 30 mA	BP	—	NO	1-15-18

ABSOLUTE MAXIMUM RATINGS AT 25°C AMBIENT	YELLOW	GREEN	UNITS
CONTINUOUS FORWARD CURRENT	15		mA
REVERSE VOLTAGE	12		V
SURGE CURRENT	100		mA
PEAK SOLDERING TEMPERATURE	245		°C
OPERATING TEMPERATURE	-40 TO +100		°C
STORAGE TEMPERATURE	-40 TO +100		°C
TIME ABOVE LIQUIDUS TEMPERATURE (t _L)	80 Seconds Minimum 100 Seconds Maximum		S
TIME WITHIN 5°C OF SPECIFIED PEAK TEM (T _P - 5°C)	10 Seconds Minimum 30 Seconds Maximum		S
PEAK TEMPERATURE T _P	245 Recommended 260 Maximum		°C
RAMP-UP RATE TO PREHEAT (25°C TO 150°C)	2 °C/s Recommended 3 °C/s Max		°C/S
RAMP-UP RATE TO PEAK (T _{Smax} TO T _P)			
RAMP-DOWN RATE (T _P TO 100°C)	3 °C/s Recommended 6 °C/s Max		°C/S
TIME (25°C TO T _P)	480 Seconds Maximum		s

NOTES:

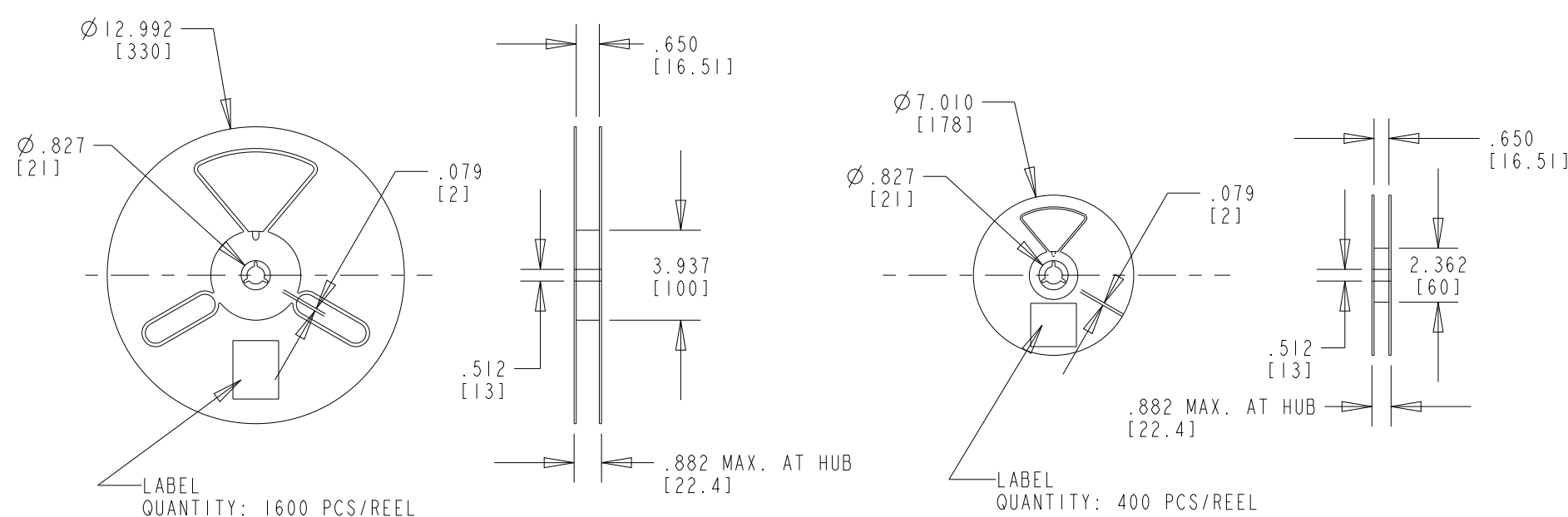
- MILLIMETER DIMENSIONS SHOWN FOR REFERENCE ONLY.
- PAD NUMBERS FOR REFERENCE ONLY. DESIGNATION NON-EXISTENT ON PART.
- STORAGE CONDITIONS FOR TAPED PRODUCT: RE-TAPING MAY BE NECESSARY FOR PRODUCT STORED MORE THAN TWELVE MONTHS.
- LEADS: TIN (Sn) OVER NICKEL (Ni) ON COPPER ALLOY (Cu)
- ORDER QUANTITY IS LED ASSEMBLIES. NOT REELS.
- 102F SUFFIX MEANS PARTS ARE PACKED ON A 20 PCS SAMPLE STRIP.
-107F SUFFIX MEANS PARTS ARE PACKED ON 7 INCH REEL, 400 PCS/REEL.
-113F SUFFIX MEANS PARTS ARE PACKED ON A 13 INCH REEL. 1600 PCS/REEL.
- LENS MOVEMENT IN RELATIONSHIP TO THE HOUSING IS:
.009" T.I.R. VERTICALLY.
.007" T.I.R. HORIZONTALLY.
- FRONT AND REAR TERMINALS OF ASSEMBLY TO BE WITHIN .005 COPLANARITY.
- DIALIGHT PART NUMBER: 591-3001-102F, 591-3001-107F, 591-3001-113F.
- DEVICE HAS A MOISTURE SENSITIVITY LEVEL "2" CAUTION LABEL APPLIED AS PER JEDEC STD. 033.
- THIS PRODUCT IS RoHS COMPLIANT (Pb FREE). EACH BAG AND REEL IS MARKED WITH THE RoHS COMPLIANT LABEL P/N 9100-117-0852-99 OR EQUIVALENT MARKINGS.

TAPING SPECIFICATION



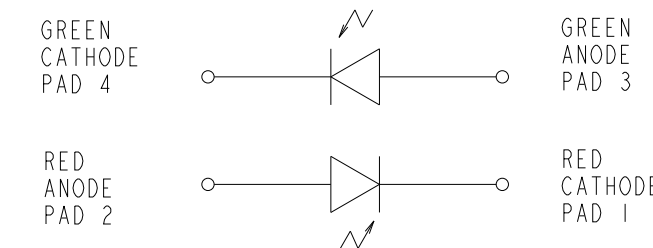
TOLERANCE: .004 UNLESS OTHERWISE SPECIFIED.
MILLIMETER DIMENSIONS SHOWN FOR REFERENCE ONLY.

REEL SPECIFICATION



13 INCH DIA. REEL SPECIFICATIONS

7 INCH DIA. REEL SPECIFICATIONS



THIS DRAWING AND THE CONTENTS HEREIN ARE CONFIDENTIAL AND THE SOLE PROPERTY OF DIALIGHT CORP. REPRODUCTION OF THIS DRAWING OR CONSTRUCTION OF ANY PARTS WITHIN THIS DRAWING ARE FORBIDDEN WITHOUT THE WRITTEN CONSENT OF DIALIGHT CORP.

SCALE: DRAWING SCALE	DRAWING NUMBER	REV
ALL DIM'S IN: INCHES (MM)	C-17282	D
TOLERANCES: UNLESS OTHERWISE SPECIFIED	TITLE	MATERIAL
FRACTIONS: ±1/64	3mm PRISM SURFACE MOUNT CBI	RoHS COMPLIANT
DECIMALS (.XX): ±.01		
DECIMALS (.XXX): ±.005		
DECIMALS (.XXXX): ±.0005		
ANGLES: ±1°		
FINISH		
FSCM 83330	1501 ROUTE 34 SOUTH FARMINGDALE, NJ 07727 (732) 919-3119 www.dialight.com	
SHEET 1 OF 1	FAMILY TABLE:	