

PLEASE CHECK WWW.MOLEX.COM FOR LATEST PART INFORMATION

Part Number: [67492-1224](#)
Status: **Active**
Overview: Serial ATA Host Receptacles
Description: 1.27mm Pitch Serial ATA Host Receptacle, Right Angle, SMT, Mating Height 6.74mm, Gold (Au) Flash, Tape on Reel Packaging, 22 Circuits, Lead-Free

Documents:

[3D Model](#) [Product Specification PS-67492-001 \(PDF\)](#)
[Drawing \(PDF\)](#) [RoHS Certificate of Compliance \(PDF\)](#)

General

Product Family	PCB Receptacles
Series	67492
Application	Board-to-Board, Signal
Comments	With Cap
Overview	Serial ATA Host Receptacles
Product Name	Serial ATA
UPC	883906714710

Physical

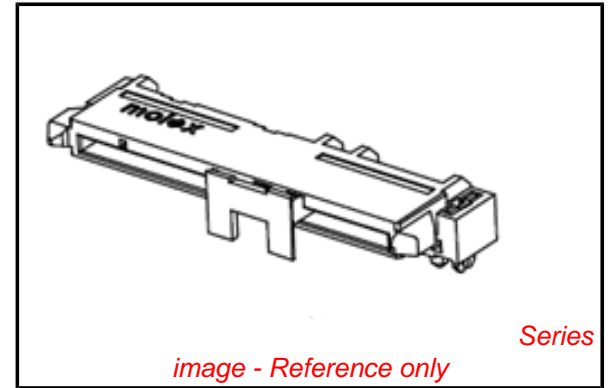
Circuits (Loaded)	22
Circuits (maximum)	22
Color - Resin	Black
Durability (mating cycles max)	500
Glow-Wire Compliant	No
Guide to Mating Part	Yes
Keying to Mating Part	Yes
Lock to Mating Part	None
Material - Metal	Copper Alloy
Material - Plating Mating	Gold
Material - Plating Termination	Tin
Material - Resin	High Temperature Thermoplastic
Net Weight	2.357/g
Number of Rows	1
Orientation	Right Angle
PCB Locator	Yes
PCB Retention	Yes
PCB Thickness - Recommended	1.60mm
Packaging Type	Embossed Tape on Reel
Pitch - Mating Interface	1.27mm
Pitch - Termination Interface	1.27mm
Plating min - Mating	0.051µm
Plating min - Termination	1.270µm
Polarized to Mating Part	Yes
Polarized to PCB	Yes
Stackable	No
Temperature Range - Operating	-35°C to +85°C
Termination Interface: Style	Surface Mount

Electrical

Current - Maximum per Contact	1.5A
Voltage - Maximum	15V DC

Solder Process Data

Duration at Max. Process Temperature (seconds)	3
Lead-free Process Capability	Reflow Capable (SMT only)



EU RoHS

ELV and RoHS Compliant

REACH SVHC

Contains SVHC: No
Low-Halogen Status
Not Low-Halogen

China RoHS



Need more information on product environmental compliance?

Email productcompliance@molex.com
 For a multiple part number RoHS Certificate of Compliance, [click here](#)

Please visit the [Contact Us](#) section for any non-product compliance questions.

Search Parts in this Series

[67492Series](#)

Mates With

[87703](#) , [87672](#) Serial ATA Plugs

Max. Cycles at Max. Process Temperature	1
Process Temperature max. C	255

Material Info

Reference - Drawing Numbers

Product Specification	PS-67492-001
Sales Drawing	SD-67492-001

This document was generated on 10/11/2012

PLEASE CHECK WWW.MOLEX.COM FOR LATEST PART INFORMATION