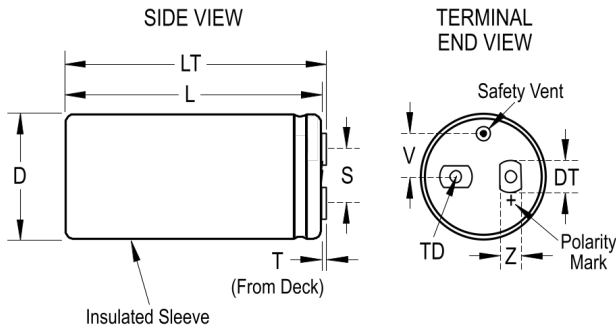


## ALS40A472NT450

Aliases (A341TW472M450A)

ALS40, Aluminum Electrolytic, 4,700 uF, 20%, 450 VDC, -40/+105°C



Click [here](#) for the 3D model.

### Dimensions

D	77mm +/-1mm
L	220mm +/-2mm
T	5.5mm +/-0.5mm
S	31.8mm +/-0.5mm
DT	13mm +/-0.5mm
LT	224.5mm +/-1mm
TD	10mm MIN
V	19mm NOM
Z	10mm NOM

### Packaging Specifications

Sleeving	Yes
Packaging	Bulk, Box

### General Information

Series	ALS40
Dielectric	Aluminum Electrolytic
Description	Screw Terminal, Aluminum Electrolytic
RoHS	Yes
AEC-Q200	No
Halogen Free	No
Component Weight	1450 g
Notes	Dimensions D And L Include Sleeving. MS (MxH) = M12x16. Mounting Clamp (Sold Separately): V11
Shelf Life	156 Weeks

### Specifications

Capacitance	4,700 uF
Capacitance Tolerance	20%
Voltage DC	450 VDC, 495 VDC (Surge)
Temperature Range	-40/+105°C
Rated Temperature	105°C
Life	9000 Hrs (Rated Voltage And Ripple Current At 105C), 15000 Hrs (Rated Voltage At 105C)
Resistance	27 mOhms (100Hz 20C), 15 mOhms (10kHz 20C)
Ripple Current	21.9 Amps (100Hz 105C), 32 Amps (10kHz 105C)
Leakage Current	6000 uA (5min 20°C)