



Dynamic Round Speaker

Ø13 mm with Wires

CC13W03BN8



Revision

Date	Version	Status	Changes	Approver
2017/03/29	V0.1	final	First release	LC
2017/08/01	V0.1		New logo	LD

1. Condition

Test and measurement will be carried out under normal condition of temperature within 5°C to 35°C, relative humidity within 45% to 85% and air pressure of 860 mbar to 1060 mbar.

Should uncertainly arise in data obtained from the above atmosphere, control of temperature at 20°C±2°C and relative humidity within 60%and 70%, with air pressure remaining unchanged, to be enforced.

2. Electrical and acoustical specification

2-1	Rated Input Power.	0.3W
2-2	Max Input Power.	0.5W
2-3	Rated Impedance.	8Ω ± 15%
2-4	Sound Pressure Level. (S.P.L)	85dB(0.1W/0.1m) ± 3 dB at AVE 0.8K 1.0K 1.2K 1.5K Hz
2-5	Resonance Frequency (Fo).	1300±20%Hz
2-6	Frequency Range.	F0~10kHz.
2-7	Distortion	Less than 10% at 2KHz input0.1W
2-8	Magnet	Rare earth permanent (NdFeB) magnet Φ6.95*1mm
2-9	Buzz, Rattle, etc.	Should not be audible at 1.55V sine Wave between Fo to 20KHz
2-10	Polarity	When positive voltage is applied to the terminal marked (+), diaphragm should move to the front.
2-11	Appearance	Should not exist any obstacle to be harmful to normal operation; damages, cracks, rusts and distortions, etc.
2-12	Weight.	g
2-13	Temperature	Operating temperature: -20°C to +60°C Storage temperature: -30°C to +70°C

3. Frequency Response

The swept sine-wave frequency response of a Loud speaker should ideally not deviate more than indicated per Fig.3

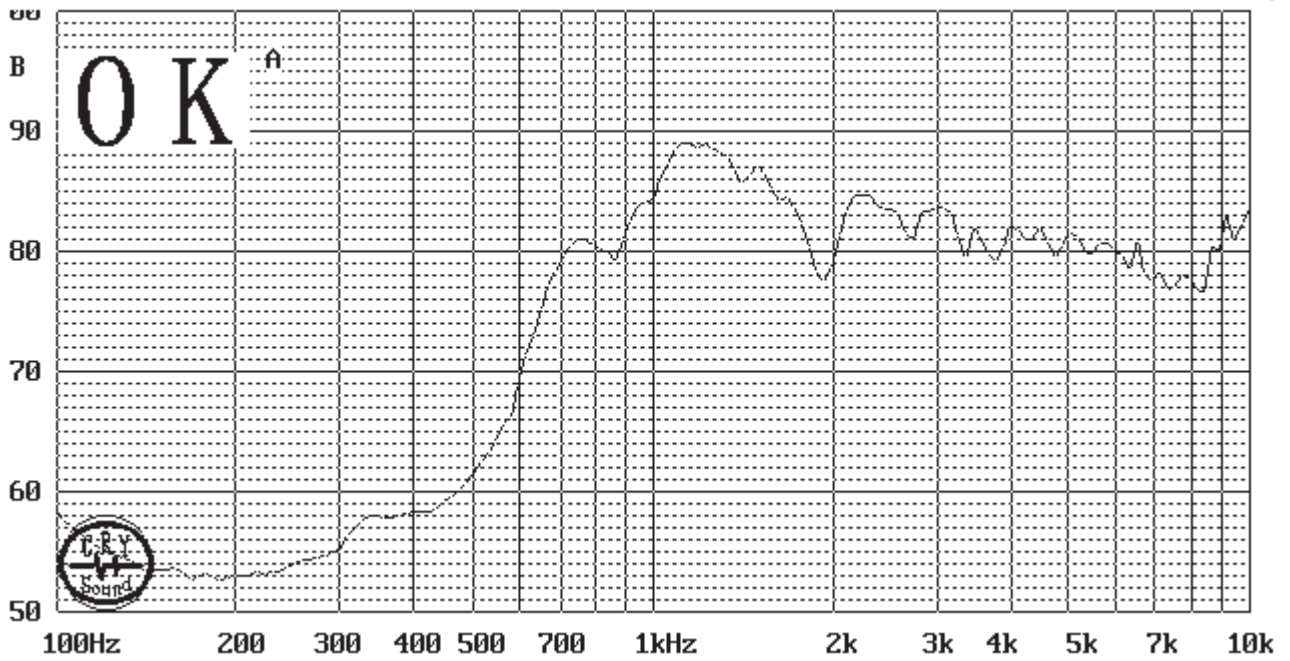
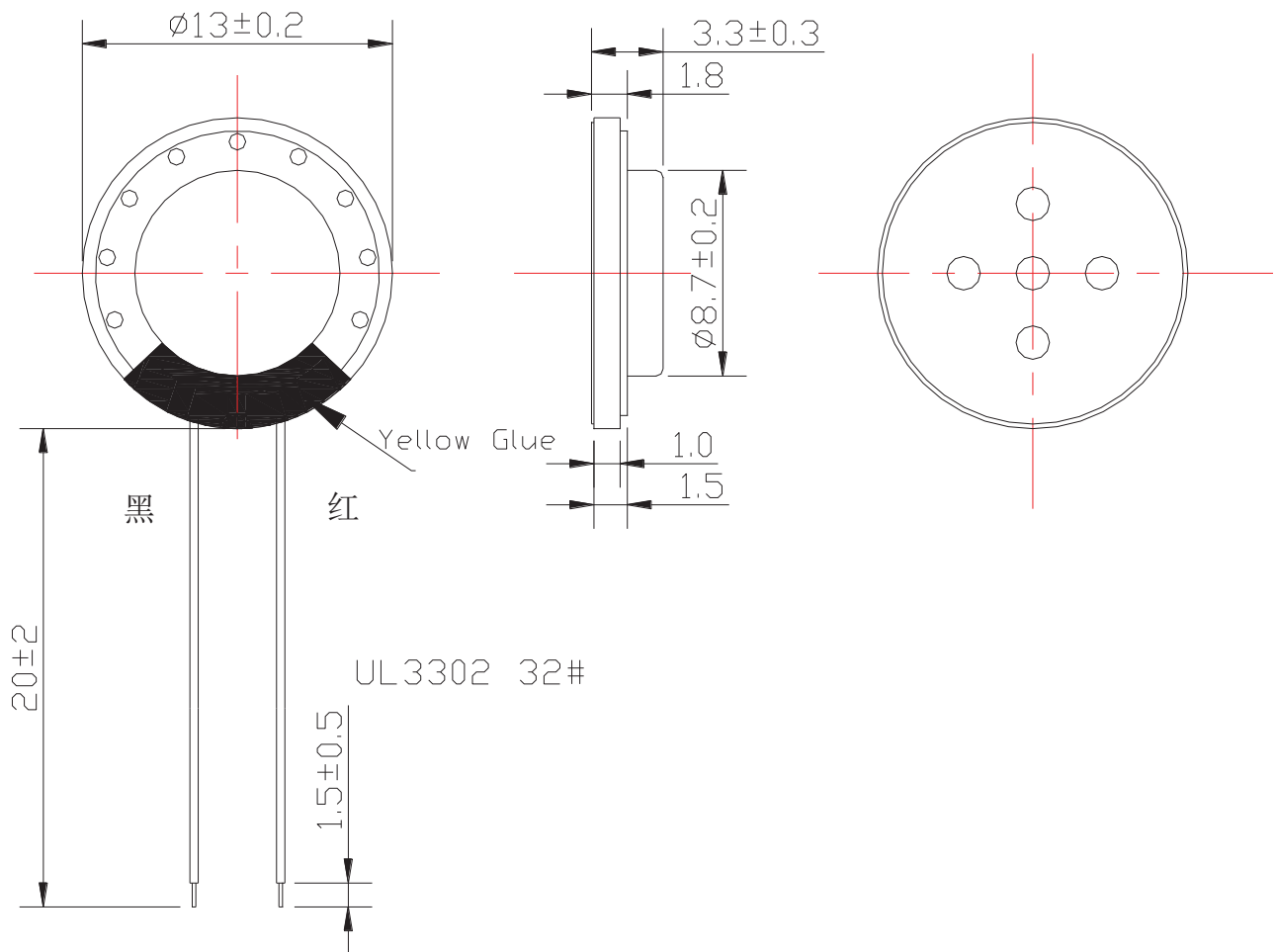


FIG.3

4. Environment test

ITEM		SPECIFICATIONS
01	High temp. Test	Keep 96 hours at $+70^{\circ}\text{C}\pm 3^{\circ}\text{C}$ and leave 3 hours in normal temperature and then check
02	Low temp. Test	Keep 96 hours at $-30^{\circ}\text{C}\pm 3^{\circ}\text{C}$ and leave 3 hours in normal temperature and then check
03	Humidity test	Keep 96 hours at $+40^{\circ}\text{C}\pm 3^{\circ}\text{C}$ relative humidity 92-95% and leave 3 hours in normal temperature and then checked.
04	Temp./Humidity cycle	<p>The part shall be subjected 5 cycles. One cycle shall be 12 hours and consist of;</p> <p style="text-align: center;"> $90 \sim 95 \% \text{ RH}$ 65°C 25°C 0.5hr 6hrs 0.5hr 5hrs </p>
05	Thermal cycle test.	Low temperature: $-30^{\circ}\text{C}\pm 3^{\circ}\text{C}$, temperature: $+70^{\circ}\text{C}\pm 3^{\circ}\text{C}$, cycle: 1 hour/cycle each, and then keep 5 cycles in a room.
06	Vibration	10~55~10Hz sin-wave sweep 15min. 5G(constant) X,Y, Z 3 direction. 2 hours each, total 6 hours.
07	Fix drop test	Fix on jig. Then drop from 152cm height to the concrete floor X,y, z 6 direction. 5 times each, total 30 times.
08	Free drop test	Free drop from 100cm height to the concrete floor X,Y, Z 6 direction. 1 times each, total 6 times.
09	Load test	Rated Power White noise is applied for 96 hours
10	Max Power test	Max power 1 min. on - 2 min. off 10 cycles.
11	Terminal strength test	Capable of withstand 1kg load for 30 seconds without resulting in any damage or rejection.
<p>Criterion : After these test , the change of S.P.L shall be within $\pm 3 \text{ dB}$</p>		

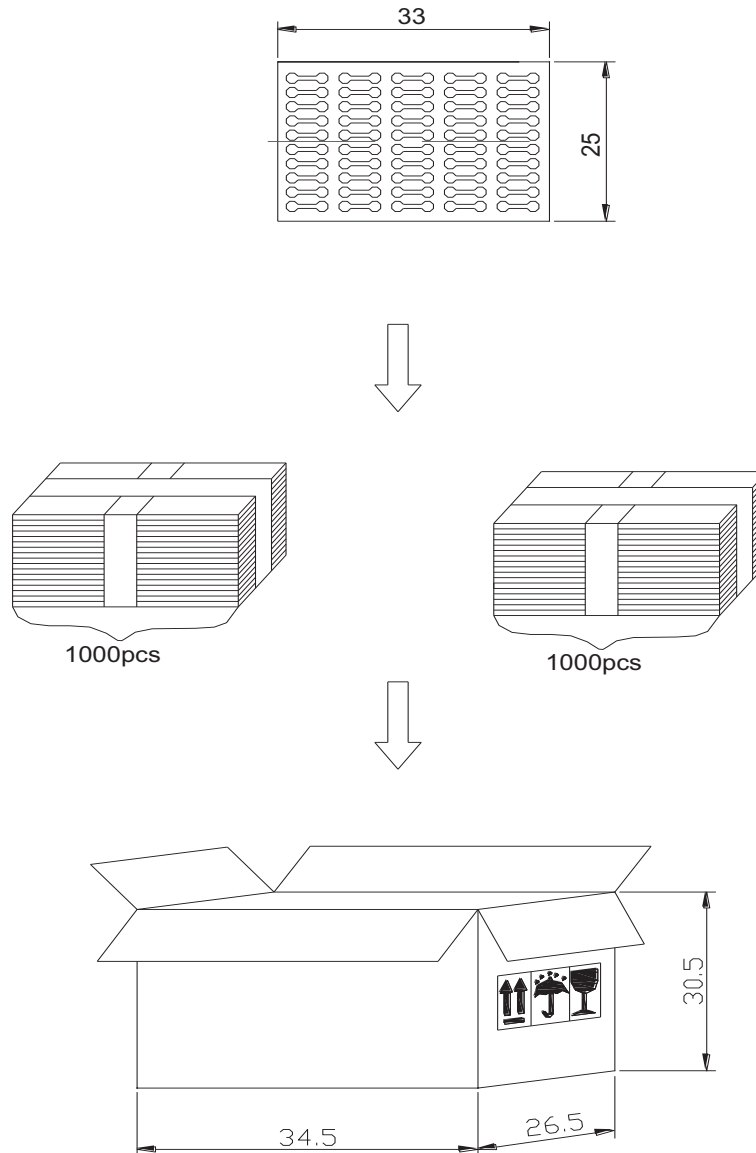
5. Dimensions



Unit:mm Tol:±0.5

8	Wire	2	UL3302 32#	
7	Cap	1	Spcc	
6	Diaphragm	1	Pen	
5	VOICE COIL	1	Cu	
4	Plate	1	SPCC	
3	Magnet	1	NdFeB	
2	PCB Terminal	1	FR4	
1	Frame	1	Spcc	
The material must be meet to GU-001				
PART NO.	PART NAME	Q'TY	MATERIAL	REMARK

6. Packing



100pcs per tray

10 trays for unit, 2 units per carton

Total: 2000 pcs per box

Size: 34.5*26.5*30.5cm