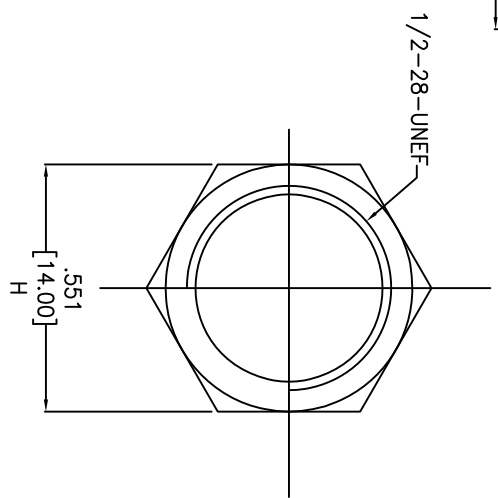
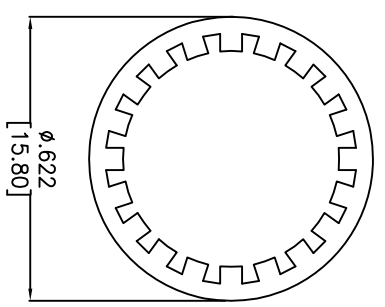
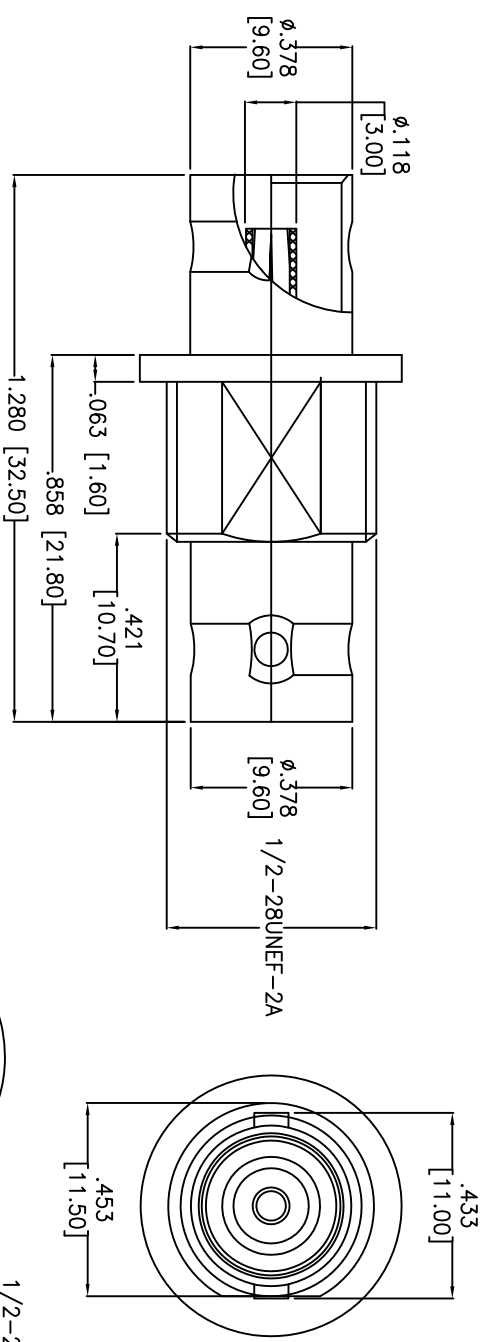


Rev	AWO #	Description	Date	Appr
-	10244	RELEASED	5/05/10	

APPROVED: \_\_\_\_\_  
 DATE: \_\_\_\_\_ TITLE: \_\_\_\_\_



NUT	ZINC	NICKEL
LOCK WASHER	STEEL	NICKEL
WASHER	IRON	NICKEL
CENTER PIN	PHSPHOR BRONZE	GOLD
INSULATOR	POM	NONE
BODY	ZINC	NICKEL
DESCRIPTION	MATERIAL	FINISH

**SPECIFICATIONS:**

**Electrical:**

Impedance: 75 ohms

Frequency range: 0-4 GHz

Working Voltage: 500 VRMS max.

Dielectric Withstanding Voltage: 1500 VRMS min.

Contact Resistance: 3 Milliohms max. (Center Contact)  
 2 Milliohms max. (Outer Contact)

Insulator Resistance: 5000 Megohms min.

Environmental:  
 Lead free, RoHS compliant.

UNLESS OTHERWISE SPECIFIED  
 ALL DIMENSIONS ARE INCHES [MM]  
 TOLERANCES: EXCEPT AS NOTED

.X	± .10	Ø.X	± .10
.XX	± .020	Ø.XXX	± .015
.XXX	± .015	Ø.XXXX	± .010

APPROVALS	DATE
DRAWN	DY
CHECKED	
APPROVED	

**ADAM TECH**  
 909 Railway Avenue, Union, NJ 07083  
 Phone: 908-687-5000 Fax: 908-687-5710

TITLE	SIZE	PART NO.	REV.
BNC DOUBLE FEMALE BULKHEAD ADAPTOR 75 OHM	X	RF1-44-DAS-75-HDW	-
REF: S00049T	SCALE: NTS	SHEET 1 OF 1	