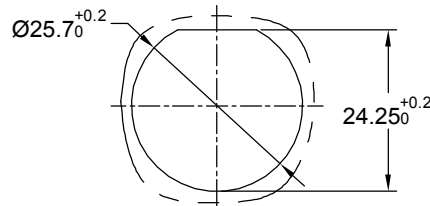
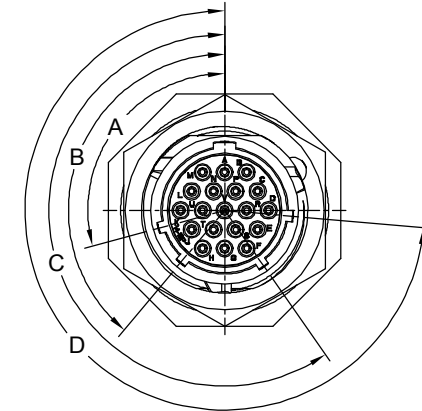
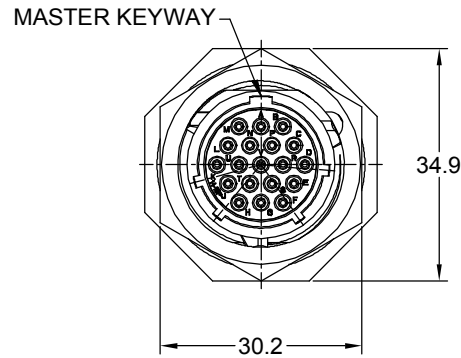
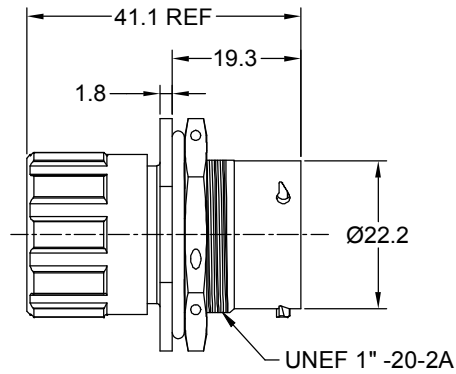
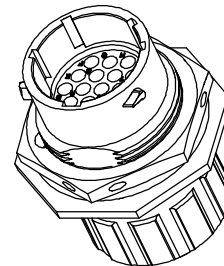


REVISIONS					
REV	ECO	DESCRIPTION	DATE	BY	APPR
B1	-	RELEASED DRAWING	JULY-08-2014	BEN	TOMMY
B2	-	ADAPT TO CHANGE OF WIRE DIAMETER	Jan-7-2020	Ronald	Tommy
B3	-	VOLTAGE UPDATE AND ADD KEY ICON	Jan-07-2021	Ronald	Tommy



PANEL CUT OUT REFERENCE



NOTES : (UNLESS OTHERWISE SPECIFIED)

1. MATERIAL :

- SHELL : ZINC ALLOY , NICKEL PLATED.
- INSERT : THERMOPLASTIC , UL94 V-0/CR.
- END CAP : THERMOPLASTIC , UL94 V-0.
- JAM NUT : AI ALLOY , NICKEL PLATED.
- PLASTIC BUSHING : THERMOPLASTIC , UL94 V-0.
- O-RING : NBR/SILICONE RUBBER.
- SEAL GASKET : NBR/SILICONE RUBBER.
- WIRE SEAL : SILICONE RUBBER.

2. SPECIFICATIONS :

- 2.1 RATED CURRENT :
 - 2.1.1 STAMPED CONTACT 5A (MAX).
 - 2.1.2 MACHINED CONTACT 7.5A(MAX).
- 2.2 RATED VOLTAGE : 250V (AC/DC) .
- 2.3 OPERATING TEMPERATURE : SEE CHART.
- 2.4 DIELECTRIC WITHSTANDING VOLTAGE : LESS THAN 2 MILLIAMPS CURRENT LEAKAGE@1500 VOLTS AC.
- 2.5 INSULATION RESISTANCE : 5000 MEGOHMS MIN.
- 2.6 IP--CLASS : IP67 (MATED CONDITION).
- 2.7 MATING CYCLES DURABILITY : 500 CYCLES(MIN).
- 2.8 ROHS COMPLIANT.

3. SUITABLE CONTACTS : 20# CONTACTS.

4. ALL DIMENSIONS ARE FOR REFERENCE USE ONLY.

5. CONTACT SIZE AND REAR SEAL WIRE RANGE :

CONTACT SIZE	MIN. INSUL O.D.	MAX. INSUL O.D.	WIRE RANGE
20#	Ø1.4mm	Ø2.1mm	20-30 AWG

KEY POS	PART NUMBER		A	B	C	D
	-40°C ~ 105°C	-40°C ~ 125°C				
N	RT0W71419PNHEC	RT0W71419PNHEC03	105°	140°	215°	265°
W	RT0W71419PWHEC	RT0W71419PWHEC03	60°	140°	215°	265°
X	RT0W71419PXHEC	RT0W71419PXHEC03	105°	160°	215°	265°
Y	RT0W71419PYHEC	RT0W71419PYHEC03	105°	140°	225°	265°
Z	RT0W71419PZHEC	RT0W71419PZHEC03	105°	140°	215°	295°

QUANTITY	SEE PART NUMBER CHART	DESCRIPTION	ITEM
MATERIALS LIST			
UNLESS OTHERWISE SPECIFIED 1) All dimensions are in metric(mm). 2) Tolerances are as follows: 1 PL DEC ±0.30 2 PL DEC ±0.15 3 PL DEC ±0.08 Fractions ±1/64 Angles ±1° 3) Note reference =		SIGNATURES DATE DRAWN: Ronald Jan-07-21 CHECKED: Flan Jan-08-21 ENGINEER: APPROVAL: Tommy Jan-08-20 CUSTOMER:	 Sine Systems - www.amphenol-sine.com 44724 Morley Drive Clinton Township, MI 48036
MATERIAL SPECIFICATIONS: THIS DRAWING IS SUPPLIED FOR INFORMATION ONLY. DESIGN FEATURES, SPECIFICATIONS AND PERFORMANCE DATA SHOWN HEREON ARE THE PROPERTY OF THE AMPHENOL CORPORATION. NO RIGHTS OF REPRODUCTION ARE IMPLIED. ALL DIMENSIONS ARE SUBJECT TO NORMAL MANUFACTURING VARIATIONS.		SCALE: B C- NONE DWG NO: RT0W71419P*HEC REVISION: B3	ECOMATE RM, RECEPTACLE, JAM NUT, SIZE 14, 19 POS, PIN, END CAP.
NEXT ASSY:	SCALE: NONE		SHEET 1 OF 1

TITLE: ECOMATE RM, RECEPTACLE, JAM NUT, SIZE 14, 19 POS, PIN, END CAP
 DWG NO: RT0W71419P*HEC
 REV: B3
 SH: 1
 OF: 1