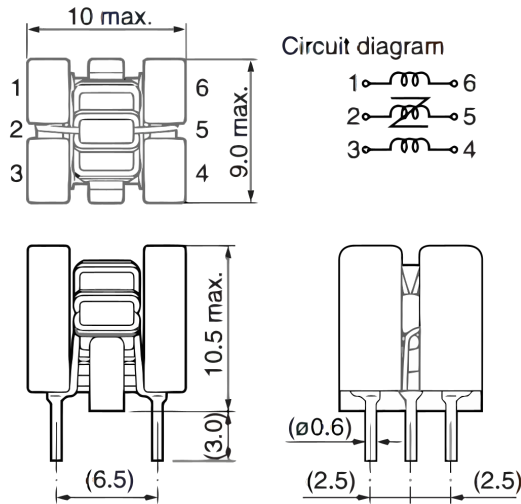


SH-S132

Aliases (UDLSH00S132000)

KEMET, SH, DC Line Filters, Common Mode, 1700 nH



Click [here](#) for the 3D model.

General Information

Series	SH
Style	Through-Hole
RoHS	Yes
Miscellaneous	For 3 Lines.

Specifications

Voltage DC	50 VDC
Inductance	1.7 uH
Temperature Range	-25/+80°C
DC Resistance	81 mOhms

Dimensions

L	9mm MAX
W	10mm MAX
H	10.5mm MAX
LL	3mm +/-0.7mm
S	6.5mm MAX

Packaging Specifications

Component Weight	1g
------------------	----