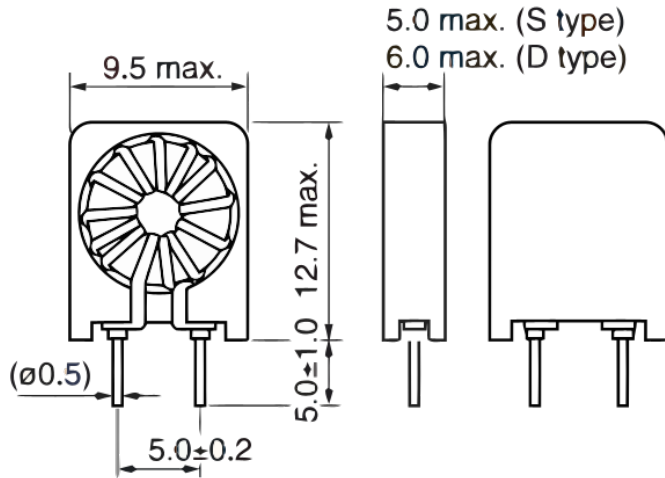


## SNT-S30

Aliases (UDLSNT0S300000)

KEMET, SNT, DC Line Filters, Common Mode, 13 uH



Click [here](#) for the 3D model.

### General Information

Series	SNT
Style	Through-Hole
RoHS	Yes

### Specifications

Inductance	13 uH
Temperature Range	-20/+60°C
DC Resistance	95 mOhms

### Dimensions

L	9.5mm MAX
W	5mm MAX
T	5mm MAX
H	12.7mm MAX
LL	5mm +/-1mm
S	5mm +/-0.2mm

### Packaging Specifications

Packaging	Bulk
Packaging Quantity	100
Component Weight	870 mg

Statements of suitability for certain applications are based on our knowledge of typical operating conditions for such applications, but are not intended to constitute - and we specifically disclaim - any warranty concerning suitability for a specific customer application or use. This information is intended for use only by customers who have the requisite experience and capability to determine the correct products for their application. Any technical advice inferred from this information or otherwise provided by us with reference to the use of our products is given gratis, and we assume no obligation or liability for the advice given or results obtained.