

REVISIONS

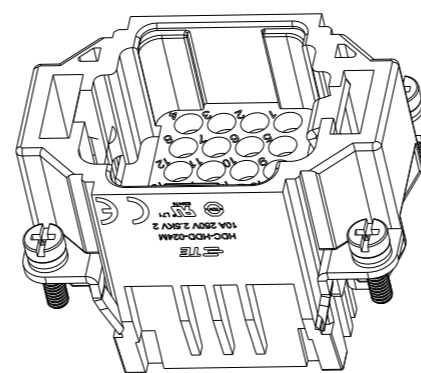
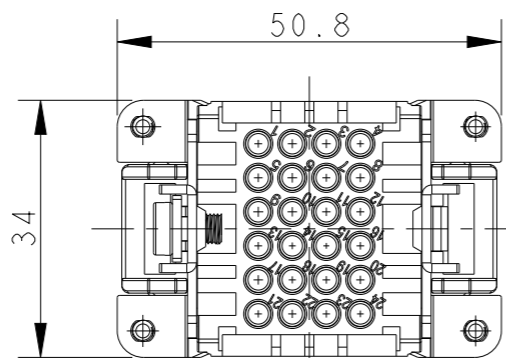
P	LTR	DESCRIPTION	DATE	DWN	APVD
B	ECR-15-013292		24SEP2015	DL	CW
B1	ECR-16-015492		15NOV2016	OY	CW
C	ECR-21-105887		26JUL2021	BS	CW

NOTES:

- TECHNICAL CHARACTERISTICS:
 INSULATION MATERIAL: PC
 RATED VOLTAGE: 250 V
 RATED CURRENT: 10 A
 INSULATION RESISTANCE: $\geq 400M\Omega$
 RATED IMPULSE VOLTAGE: 2.5 KV
 POLLUTION DEGREE: 2
 FLAMMABILITY: UL94V-0
 MATING CYCLES: 500 CYCLES
 WIRE RANGE: 0.14-2.5 mm² (26-14 AWG)
 CONTACT TYPE: CRIMP CONTACT
- CONTACT NEED TO BE ORDERED SEPARATELY.
 (ORDER No. REFER TO DRAWING: T20200X10XX000)

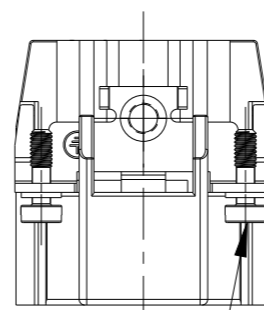
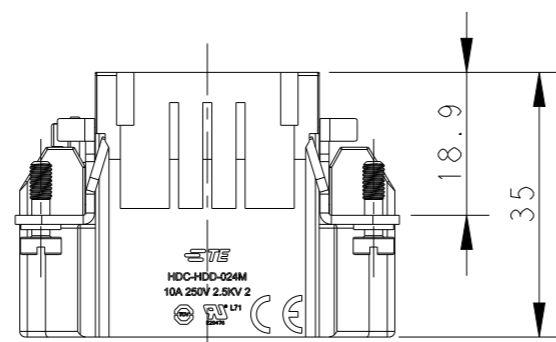
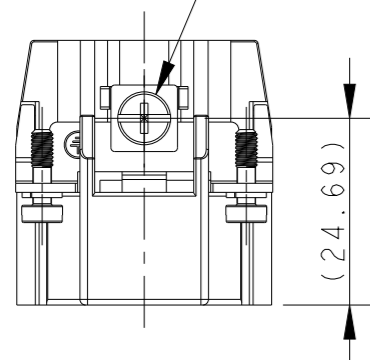
注释:

- 技术参数:
 绝缘材料: PC
 额定电压: 250V
 额定电流: 10A
 绝缘电阻: $\geq 400M\Omega$
 额定脉冲电压: 2.5 KV
 污染等级: 2
 阻燃等级: UL94V-0
 插拔次数: 500次
 接线范围: 0.14-2.5 mm² (26-14 AWG)
 接线类型: 冷压接
- 端子需要单独订购.
 (订货号参考图面: T20200X10XX000)

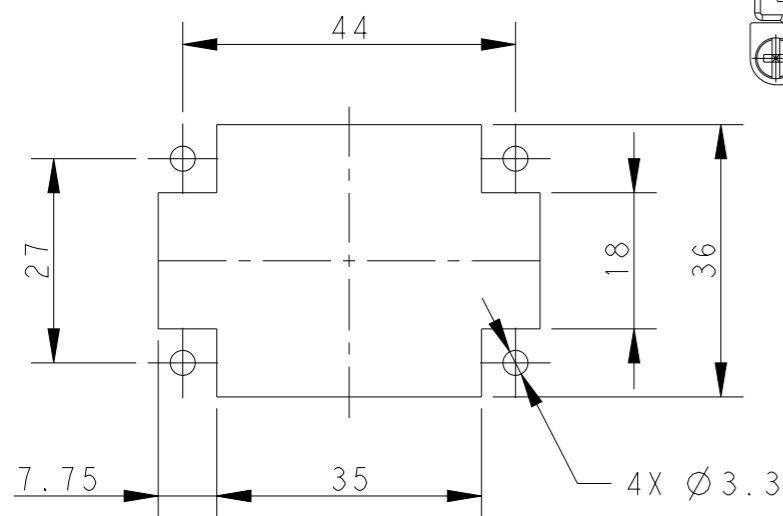
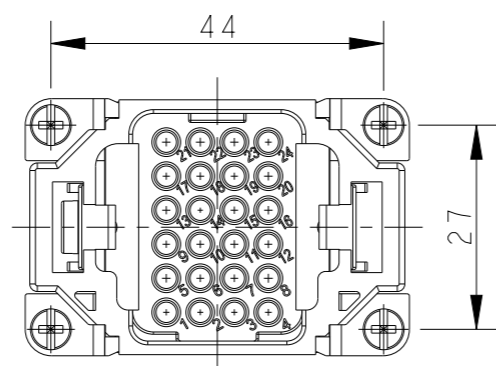


TYPE-1, T2030242101-000, TE LOGO
 类型-1, T2030242101-000, TE LOGO


M4 SCREW RECOMMENDED
 TIGHTENING TORQUE 1.2Nm
 M4 螺丝, 推荐锁紧力矩 1.2Nm



4X M3 SCREW RECOMMENDED
 TIGHTENING TORQUE 0.5Nm
 4X M3螺丝, 推荐锁紧力矩 0.5Nm



PANEL CUT OUT FOR INSERTS FOR USING
 WITHOUT HODDS/HOUSINGS
 不用防护外壳时芯件的安装开孔图

THIS DRAWING IS A CONTROLLED DOCUMENT.		DWN	DAVIE LI	16MAR2015	 TE Connectivity			
DIMENSIONS: mm		CHK	CHRIS WANG	16MAR2015				
TOLERANCES UNLESS OTHERWISE SPECIFIED:		APVD	XU XIANG	16MAR2015				
0 PLC ±- 1 PLC ±- 2 PLC ±- 3 PLC ±- 4 PLC ±- ANGLES ±-		PRODUCT SPEC	NAME			HDD-024-M		
MATERIAL		APPLICATION SPEC		SIZE		CAGE CODE	DRAWING NO	RESTRICTED TO
-		114-137043		A3		-	©-T2030242101000	
-		FINISH		WEIGHT		SCALE		SHEET
-		-		-		1:1		1 OF 2
		CUSTOMER DRAWING		SCALE		SHEET		REV
				1:1		1 OF 2		C

4

3

2

1

THIS DRAWING IS UNPUBLISHED.

RELEASED FOR PUBLICATION

20

© COPYRIGHT 20 BY -

ALL RIGHTS RESERVED.

REVISIONS


P	LTR	DESCRIPTION	DATE	DWN	APVD
		SEE SHEET 1	-	-	-

NOTE:
SEE SHEET 1注释:
见页 1

TYPE-2, T2030242101-002, STAINLESS STEEL SCREW, NO LOGO
类型-2, T2030242101-002, 不锈钢螺丝, 无LOGO

T2030242101-002	HDD-024-M	HDD-024 MALE INSERT, STAINLESS STEEL SCREW, NO LOGO HDD-024 公插, 不锈钢螺丝, 无LOGO	TYPE-2 类型-2
T2030242101-000	HDD-024-M	HDD-024 MALE INSERT HDD-024 公插	TYPE-1 类型-1
PART NUMBER 料号	PART DESCRIPTION 描述		TYPE 类型

ALL DIMENSIONS ARE SAME AS TYPE 1,
EXCEPT THOSE DEFINED IN THIS TYPE.
除了在本类型中定义的尺寸外, 其它尺寸同类型 1

THIS DRAWING IS A CONTROLLED DOCUMENT.		DWN DAVIE LI 16MAR2015	 TE Connectivity	
DIMENSIONS: mm		CHK CHRIS WANG 16MAR2015		
TOLERANCES UNLESS OTHERWISE SPECIFIED:		APVD XU XIANG 16MAR2015	NAME HDD-024-M	
0 PLC ±- 1 PLC ±- 2 PLC ±- 3 PLC ±- 4 PLC ±- ANGLES ±-		PRODUCT SPEC 108-137043	RESTRICTED TO	
MATERIAL -		FINISH -	APPLICATION SPEC 114-137043	SIZE A3
		WEIGHT -	CAGE CODE -	DRAWING NO T2030242101000
		CUSTOMER DRAWING	SCALE 1:1	SHEET 2 OF 2
				REV C

1470-19 (3/13)