

U_FPGA_PWR_MISC
FPGA_PWR_MISC.SchDoc

U_FPGA_CFG
FPGA_CFG.SchDoc

U_B14_B16
B14_B16.SchDoc

U_B15
B15.SchDoc

U_B34
B34.SchDoc

U_B35
B35.SchDoc

U_B2B_Connector
B2B_Connector.SchDoc

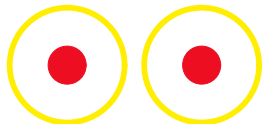
U_POWER
POWER.SchDoc

U_Optical_transceiver
Optical_transceiver.SchDoc

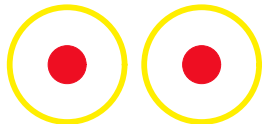
LOGO1

TE Logo PRINT Layer

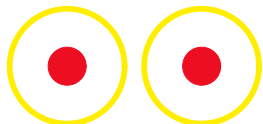
LOGO PRINT



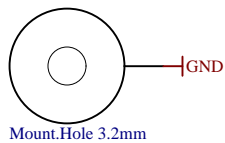
PM1 PM2




PM4 PM5

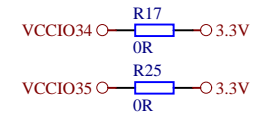
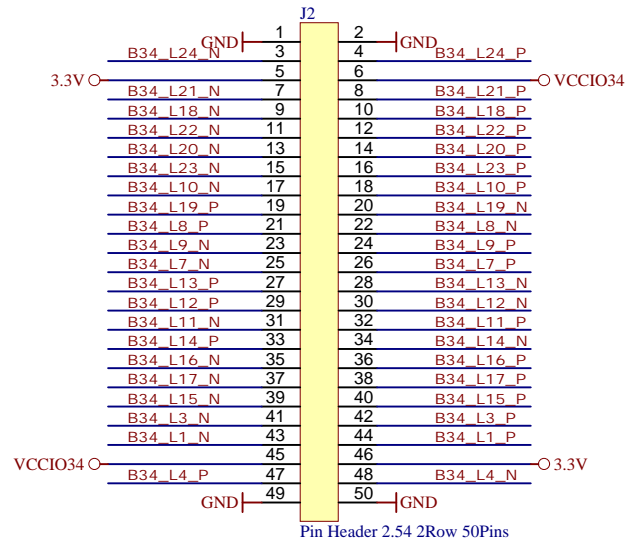
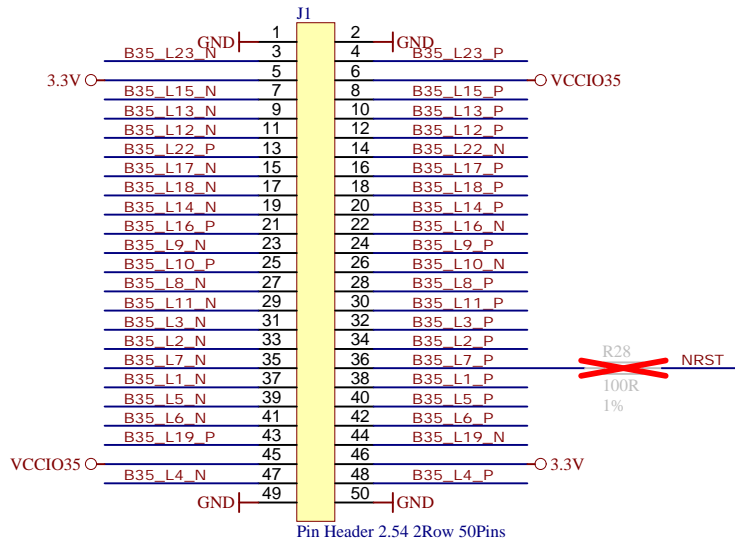
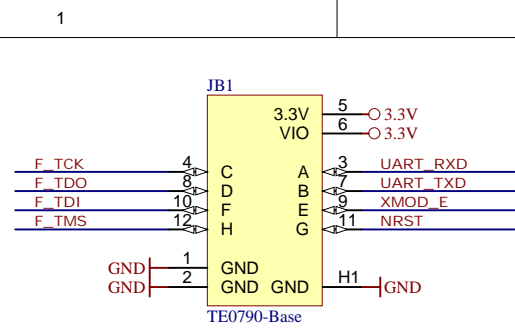


PM6 PM3



Mount.Hole 3.2mm

			Title: TE0725 - Overview		
			A4	Number: TE0725 TE0725-35-2C	Rev. 02
Date: 2015-09-15		Copyright: Trenz Electronic GmbH / TT		Page1 of 10	
Filename: TE0725.SchDoc					



Title: TE0725 - B2B Connectors			
A4	Number: TE0725 TE0725-35-2C	Rev. 02	
Date: 2015-09-15	Copyright: Trenz Electronic GmbH / TT	Page2 of 10	
Filename: B2B_Connector.SchDoc			

1

2

3

4

A

A

B

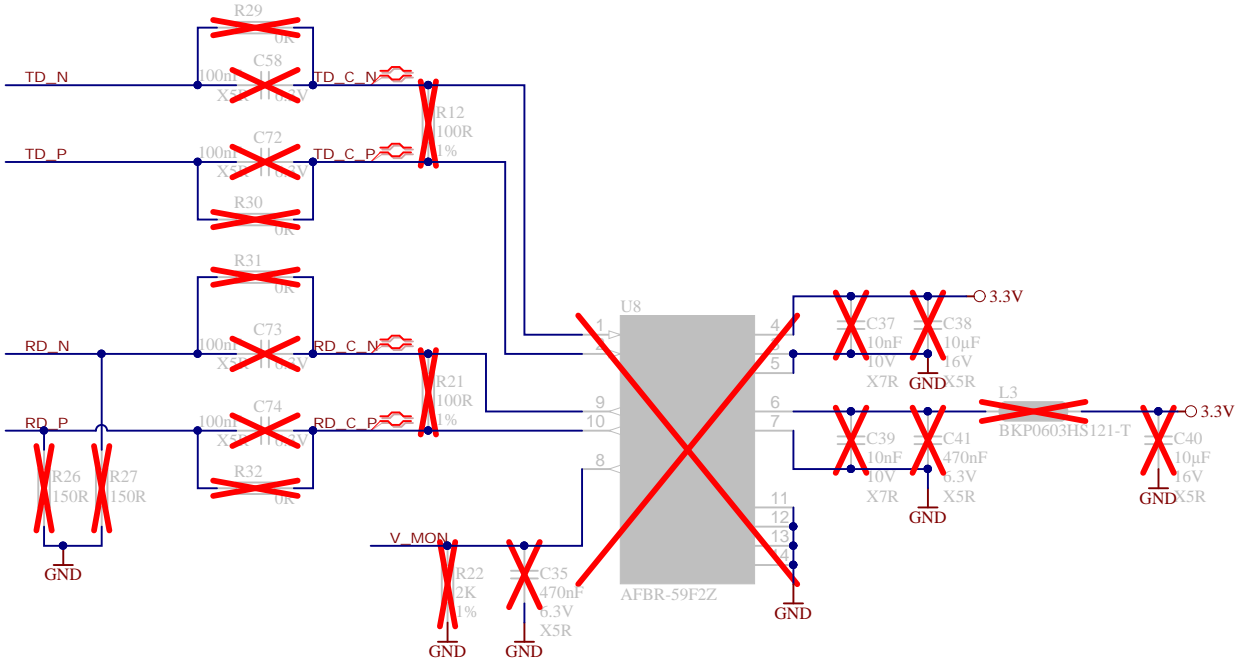
B

C

C

D

D



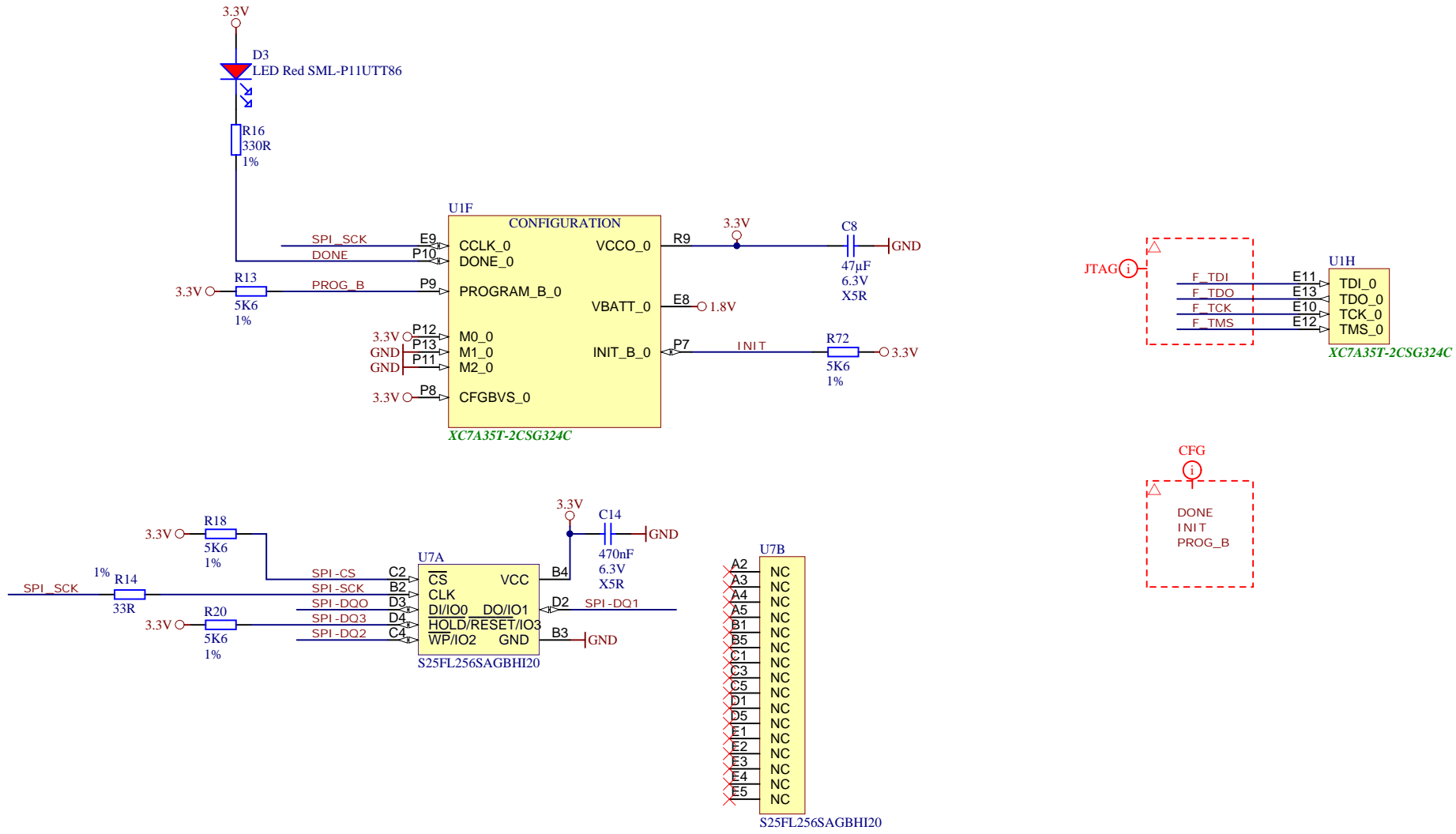
Title: TE0725 - Optical transceiver		
A4	Number: TE0725 TE0725-35-2C	Rev. 02
Date: 2015-09-15	Copyright: Trenz Electronic GmbH / TT	Page 3 of 10
Filename: Optical_transceiver.SchDoc		


1

2

3

4



		Title: TE0725 - FPGA CFG	
		A4	Number: TE0725 TE0725-35-2C
Date: 2015-09-15		Copyright: Trenz Electronic GmbH / TT	
Filename: FPGA_CFG.SchDoc		Page 4 of 10	

1

2

3

4

A

A

B

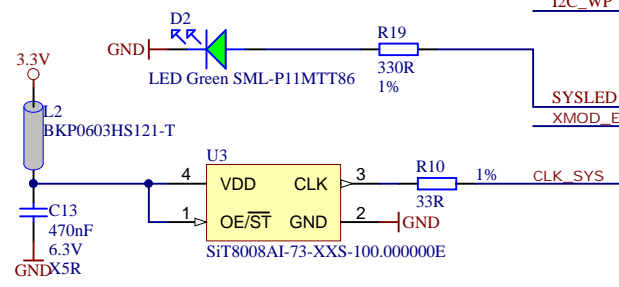
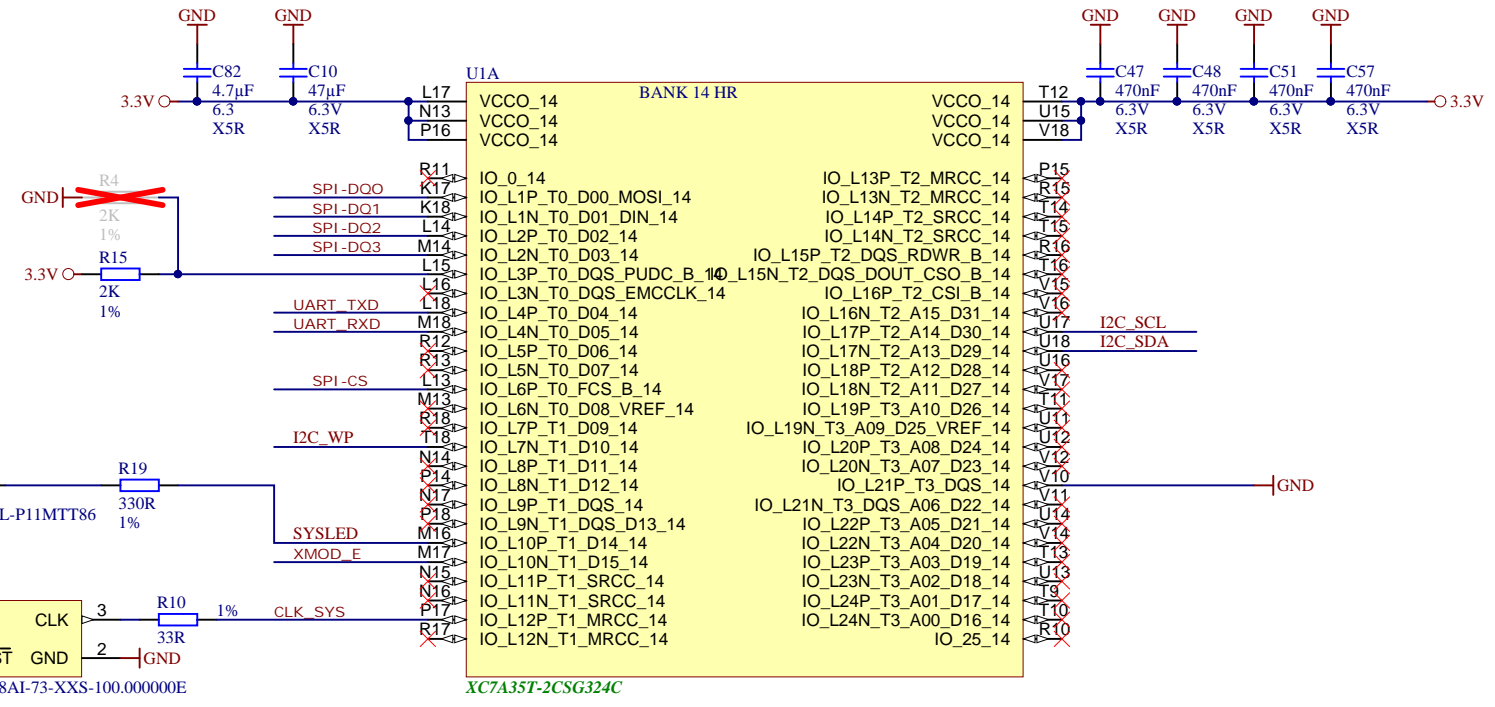
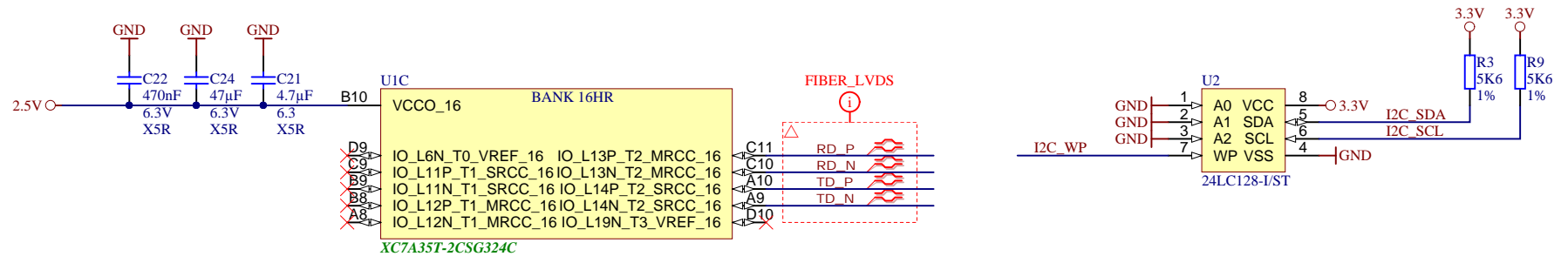
B

C

C

D

D



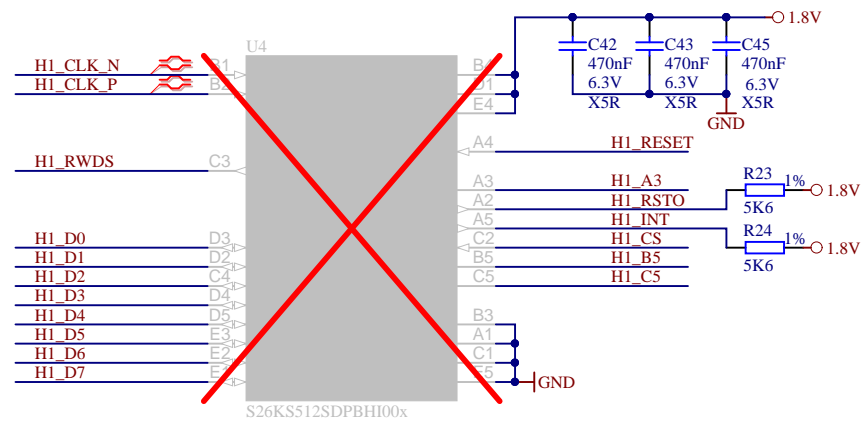
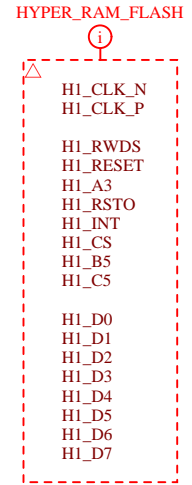
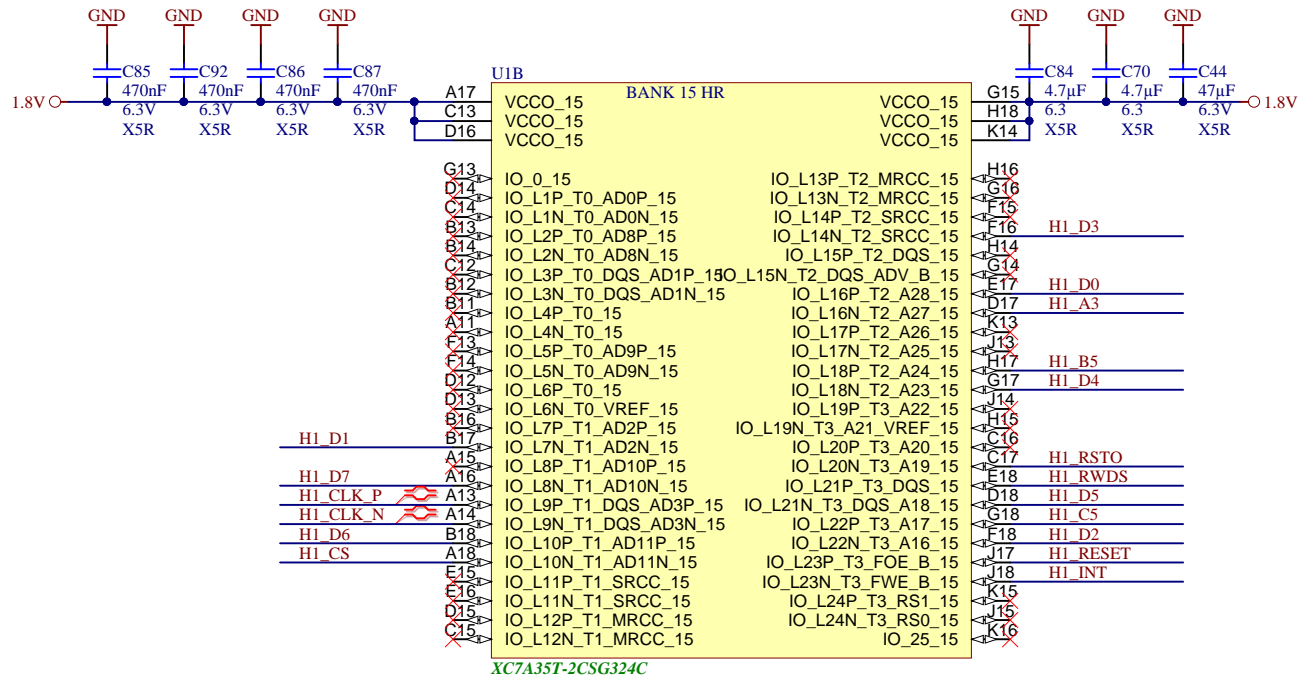
Title: TE0725 - B14 & B16		
A4	Number: TE0725 TE0725-35-2C	Rev. 02
Date: 2015-09-15	Copyright: Trenz Electronic GmbH / TT	Page 5 of 10
Filename: B14_B16.SchDoc		

1

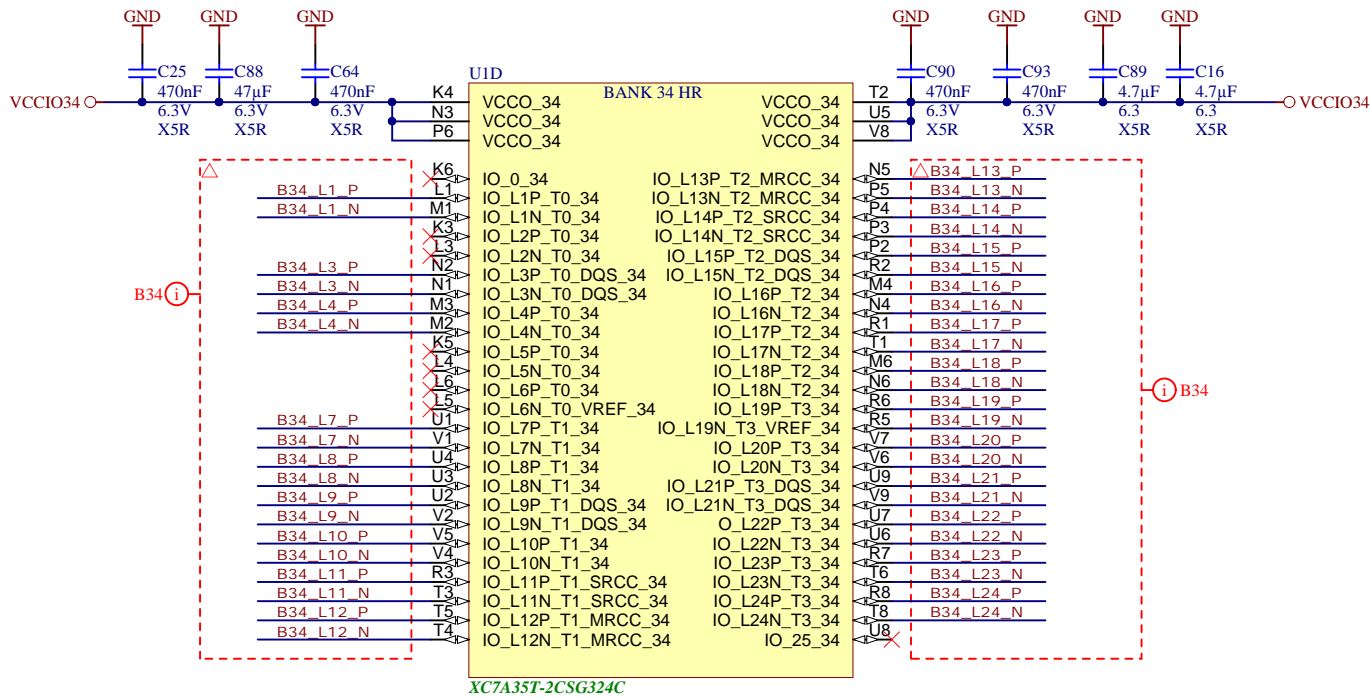
2


3

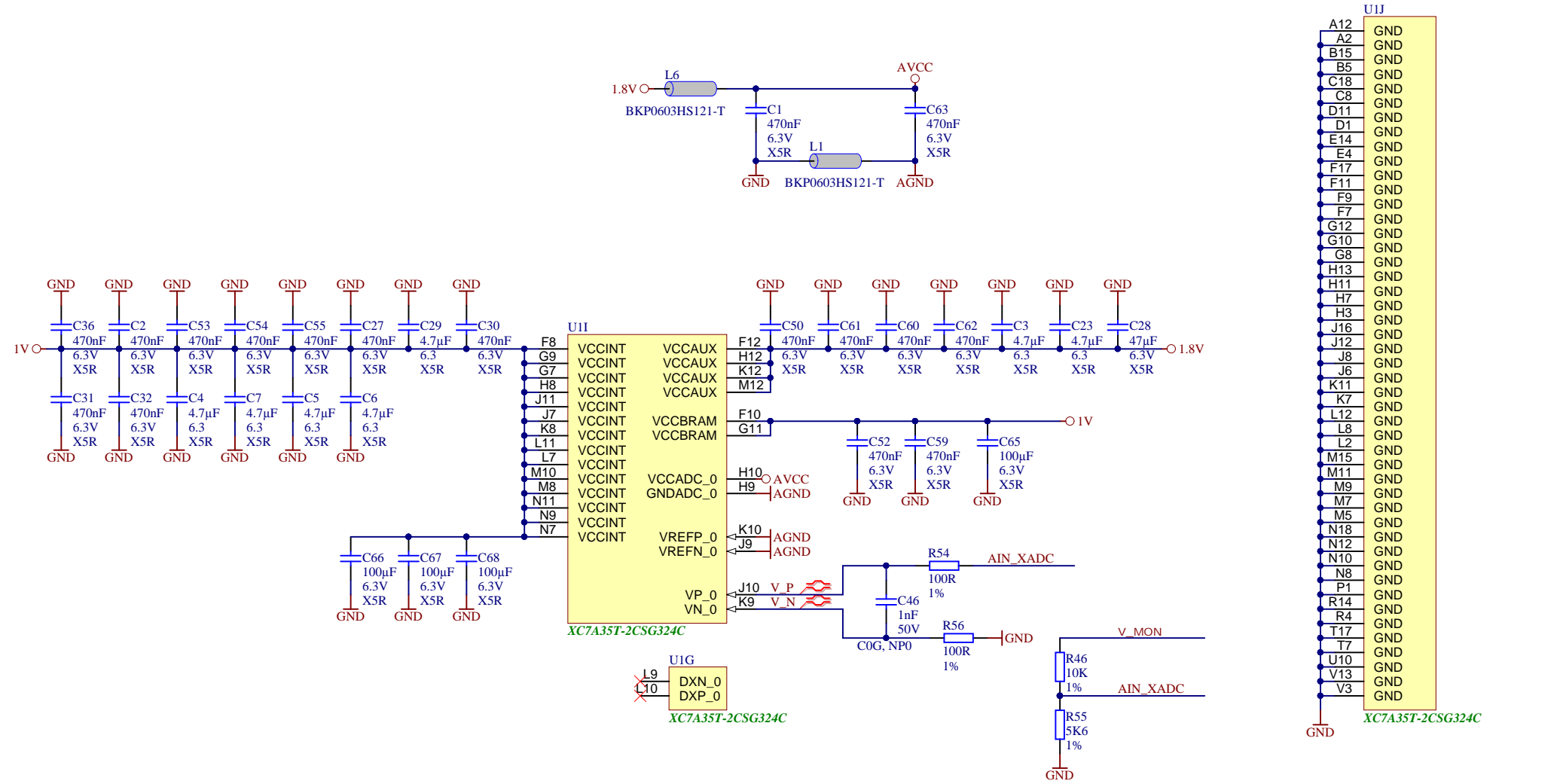

4



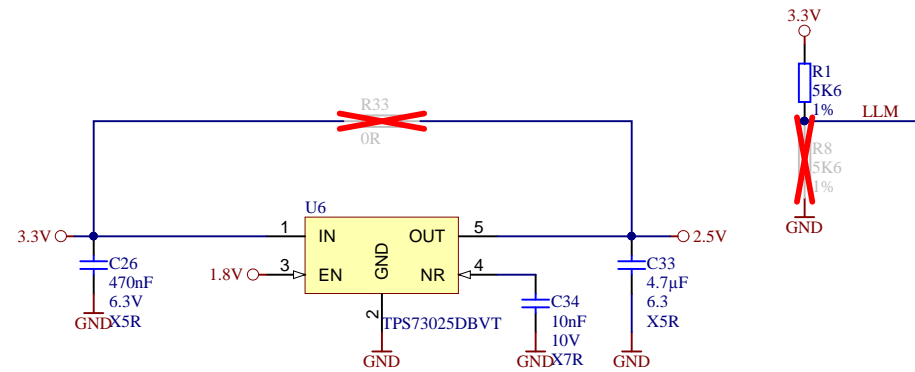
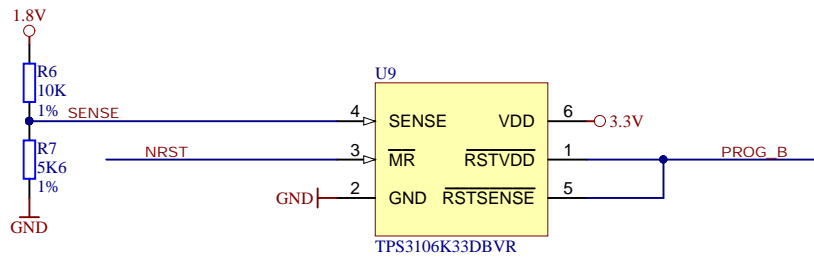
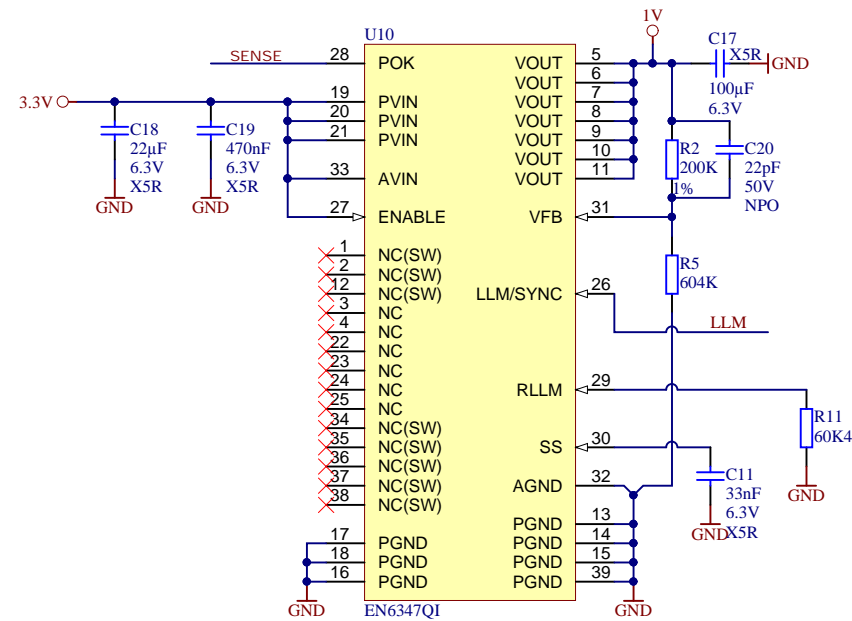
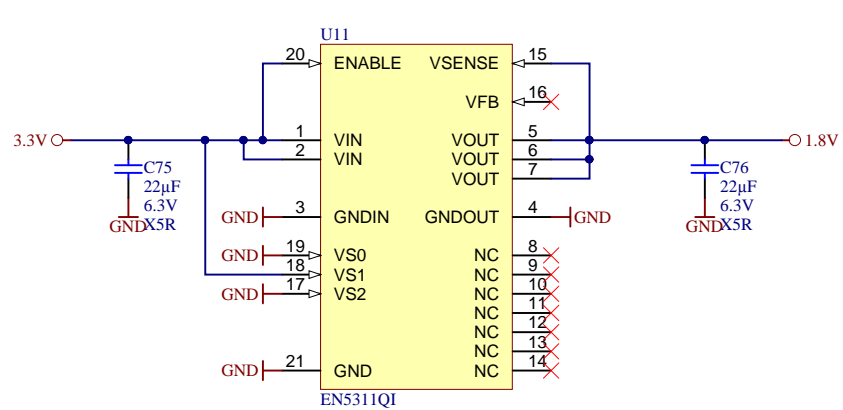
Title: TE0725 - B15		
A4	Number: TE0725 TE0725-35-2C	Rev. 02
Date: 2015-09-15	Copyright: Trenz Electronic GmbH / TT	Page 6 of 10
Filename: B15.SchDoc		



			Title: TE0725 - B34	
			A4	Number: TE0725 TE0725-35-2C
Date: 2015-09-15		Copyright: Trenz Electronic GmbH / TT		Page 7 of 10
Filename: B34.SchDoc				

Title: TE0725 - FPGA PWR MISC		
A4	Number: TE0725 TE0725-35-2C	Rev. 02
Date: 2015-09-15	Copyright: Trenz Electronic GmbH / TT	Page9 of 10
Filename: FPGA_PWR_MISC.SchDoc		



Title: TE0725 - POWER		
A4	Number: TE0725 TE0725-35-2C	Rev. 02
Date: 2015-09-15	Copyright: Trenz Electronic GmbH	Page 10 of 10
Filename: POWER.SchDoc		