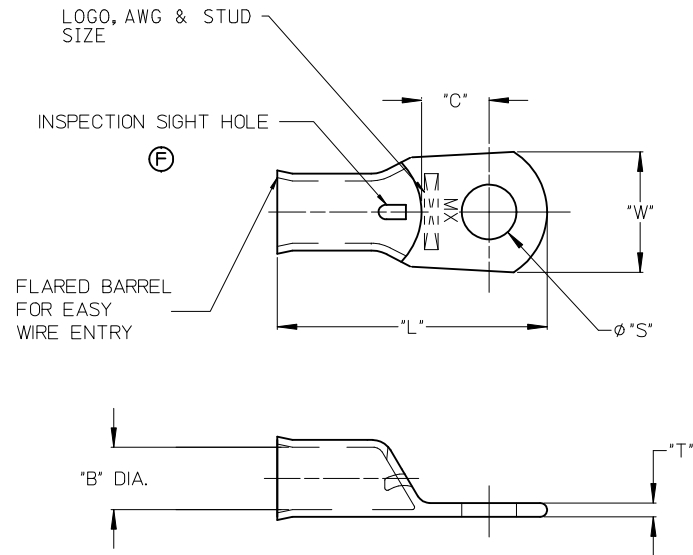


	13	12	11	10	9	8	7	6	5	4	3	2	1
	UNPLATED MATERIAL NUMBER	UNPLATED ENGINEERING NUMBER	PLATED MATERIAL NUMBER	PLATED ENGINEERING NUMBER	STUD SIZE	AWG WIRE RANGE	"S" ±.010/(0.25)	"L" MIN (F)	"W" (F) ±.020/(0.50)	"C" ±.040/(1.02)	"B" ±.015/(0.38)	"T" ±.020/(0.50)	
J	193210001	BCL-238-SH	193210002	BCL-238-SH-PL	3/8/(9.5)	2	.400/(10.16)	1.450/(36.83)	.625/(15.88)	.437/(11.10)	.336/(8.53)	.095/(2.41)	
	193210003	BCL-212-WP-SH	193210004	BCL-212-WP-SH-PL	1/2/(12.7)	2	.520/(13.21)	1.580/(40.13)	.750/(19.05)	.474/(12.04)	.336/(8.53)	.095/(2.41)	
	193210005	BCL-138-SH	193210006	BCL-138-SH-PL	3/8/(9.5)	1	.400/(10.16)	1.540/(39.12)	.656/(16.66)	.446/(11.33)	.360/(9.14)	.100/(2.54)	
	193210007	BCL-112-SH	193210008	BCL-112-SH-PL	1/2/(12.7)	1	.520/(13.21)	1.630/(41.40)	.750/(19.05)	.474/(12.04)	.360/(9.14)	.100/(2.54)	
	193210009	BCL-1038-SH	193210010	BCL-1038-SH-PL	3/8/(9.5)	1/0	.400/(10.16)	1.625/(41.27)	.728/(18.49)	.460/(11.68)	.400/(10.16)	.110/(2.80)	
	193210011	BCL-1012-SH	193210012	BCL-1012-SH-PL	1/2/(12.7)	1/0	.520/(13.21)	1.625/(41.27)	.728/(18.49)	.460/(11.68)	.400/(10.16)	.110/(2.80)	
I	193210013	BCL-2038-SH	193210014	BCL-2038-SH-PL	3/8/(9.5)	2/0	.400/(10.16)	1.870/(47.50)	.824/(20.93)	.522/(13.26)	.461/(11.71)	.110/(2.80)	
	193210015	BCL-3038-SH	193210016	BCL-3038-SH-PL	3/8/(9.5)	3/0	.400/(10.16)	1.910/(48.51)	.916/(23.27)	.501/(12.73)	.511/(12.93)	.115/(2.92)	
	193210017	BCL-4038-SH	193210018	BCL-4038-SH-PL	3/8/(9.5)	4/0	.400/(10.16)	2.050/(52.07)	.999/(25.37)	.550/(13.97)	.559/(14.20)	.135/(3.43)	
	193210019	BCL-4012-SH	193210020	BCL-4012-SH-PL	1/2/(12.7)	4/0	.520/(13.21)	2.050/(52.07)	.999/(25.37)	.550/(13.97)	.559/(14.20)	.135/(3.43)	
	193210021	BCL-4516-SH	193210022	BCL-4516-SH-PL	5/16/(7.9)	4	.340/(8.64)	1.325/(33.65)	.531/(13.49)	.429/(10.90)	.286/(7.26)	.080/(2.03)	
	NA	NA	193210025	BCL-4038-SH-PL(.625)	3/8/(9.5)	4/0	.400/(10.16)	2.175/(55.24)	1.099/(27.91)	.557/(14.15)	.625/(15.88)	.135/(3.43)	
	NA	NA	193210026	BCL-4012-SH-PL(.625)	1/2/(12.7)	4/0	.520/(13.21)	2.175/(55.24)	1.099/(27.91)	.557/(14.15)	.625/(15.88)	.135/(3.43)	
H	193210027	BCL-2012-SH	193210028	BCL-2012-SH-PL	1/2/(12.7)	2/0	.520/(13.21)	1.870/(47.50)	.824/(20.93)	.522/(13.26)	.461/(11.71)	.110/(2.80)	
	193210029	BCL-3012-SH	193210030	BCL-3012-SH-PL	1/2/(12.7)	3/0	.520/(13.21)	1.910/(48.51)	.916/(23.27)	.501/(12.73)	.511/(12.93)	.115/(2.92)	



NOTES:

1. OTHER STUD SIZES MAY BE AVAILABLE PLEASE CONSULT THE FACTORY
2. MATERIAL: COPPER
3. PLATING: TIN
4. DELETED.
5. PART IS ROHS COMPLIANT.

SIGHT HOLE SHAPE EC NO: MNA2012-0143 DRW: NETHRODAHL 2011/09/19 CHKD: JMACNEIL 2011/11/18 APPR: JMACNEIL 2011/12/07	QUALITY SYMBOLS ▽=0 ▽=0	GENERAL TOLERANCES (UNLESS SPECIFIED) <table border="1"> <thead> <tr> <th></th> <th>mm</th> <th>INCH</th> </tr> </thead> <tbody> <tr> <td>4 PLACES</td> <td>± ---</td> <td>± ---</td> </tr> <tr> <td>3 PLACES</td> <td>± ---</td> <td>± ---</td> </tr> <tr> <td>2 PLACES</td> <td>± ---</td> <td>± ---</td> </tr> <tr> <td>1 PLACE</td> <td>± ---</td> <td>± ---</td> </tr> </tbody> </table>		mm	INCH	4 PLACES	± ---	± ---	3 PLACES	± ---	± ---	2 PLACES	± ---	± ---	1 PLACE	± ---	± ---	DIMENSION STYLE IN/MM	SCALE ---	DESIGN UNITS INCH	THIRD ANGLE PROJECTION
		mm	INCH																		
	4 PLACES	± ---	± ---																		
	3 PLACES	± ---	± ---																		
2 PLACES	± ---	± ---																			
1 PLACE	± ---	± ---																			
			DRAWN BY ASAYDEH	DATE 06/01/23	TITLE BATTERY CABLE LUG COPPER TERMINALS WITH SIGHT HOLES																
			CHECKED BY JLOMASTRO	DATE 06/01/23	MOLEX INCORPORATED																
			APPROVED BY RDEROSS	DATE 06/01/23	MATERIAL NO. SEE CHART	DOCUMENT NO. SD-19321-003															
			DRAFT WHERE APPLICABLE MUST REMAIN WITHIN DIMENSIONS		SIZE C	SHEET NO. 1 OF 1															
THIS DRAWING CONTAINS INFORMATION THAT IS PROPRIETARY TO MOLEX INCORPORATED AND SHOULD NOT BE USED WITHOUT WRITTEN PERMISSION																					