

NMB SLEEVE BEARING 03510SS-12x (35[□] × 10^L)

NMBTC.COM / 248.919.2250

DC Axial Fans

General Specifications

Motor Protection:

Auto Restart/Polarity Protection

Insulation Resistance:

10M Ω or over with a DC500V Megger

Dielectric Withstand Voltage:

AC 700V 1s or AC 500V 1min

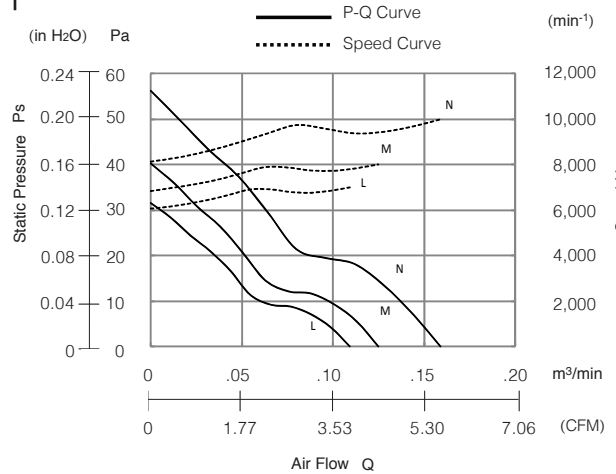
Allowable Ambient Temperature Range:

-10°C ~ +70°C (Operating)

-40°C ~ +70°C (Storage)

(non-condensing environment)

Characteristic Curves



Expected Life

40°C 30,000 Hours (L10)

Material

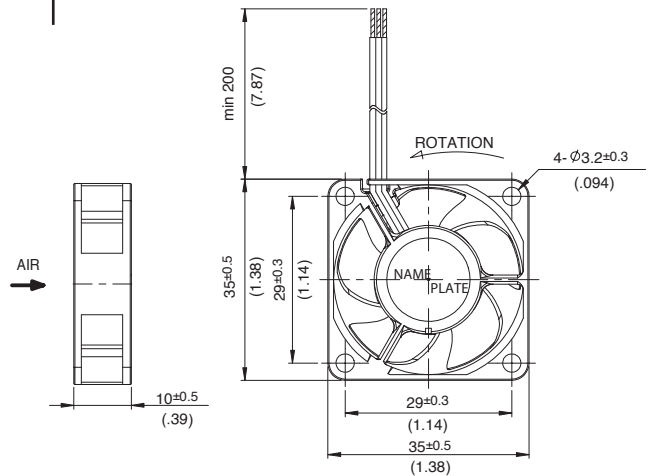
Casing : Plastic (Black) UL94V-0

Impeller : Plastic (Black) UL94V-0

Bearing : Sleeve Bearing

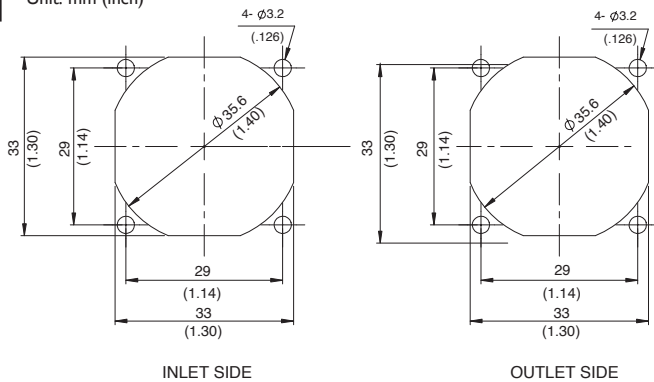
Lead Wire : UL1061, AWG26, +Red, -Black, (Tach) White

Outline

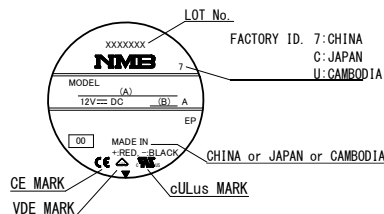


Panel Cut-Outs

Unit: mm (inch)



Name Plate



	(A)	(B)
Model Name		Current
03510SS-12L-AT		0.07
03510SS-12M-AT		0.08
03510SS-12N-AT		0.11

Specifications

MODEL	Rated Voltage	Operating Voltage	Current	Input Power	Speed	Max. Air Flow		Max. Static Pressure		Noise	Mass
	(V)	(V)	(A) ^{*1}	(W) ^{*1}	(min ⁻¹) ^{*1}	(CFM)	(m ³ /min)	(in H ₂ O)	(Pa)	(dB) ^{*1}	(g)
03510SS-12L-AT-00	12	6.0 ~ 13.2	0.04	0.48	7000	3.88	0.11	0.12	30.9	19.0	10.5
03510SS-12M-AT-00	12	6.0 ~ 13.2	0.05	0.60	8000	4.24	0.12	0.16	39.4	22.4	10.5
03510SS-12N-AT-00	12	6.0 ~ 13.2	0.07	0.84	10000	5.65	0.16	0.23	56.3	27.0	10.5

*1: Average Values in Free Air

Note: Locked Rotor/Tach Available

TACHO Specification

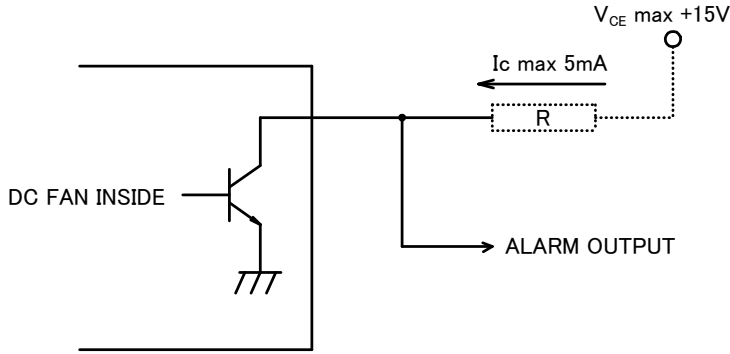
TACHOMETER SIGNAL

1. OUTPUT CIRCUIT : OPEN COLLECTOR
2. SPECIFICATION

Absolute Maximum Ratings at Ta=25°C

V_{CE max} : +15V

I_{c max} : 5mA [V_{CE(sat)}max = 0.5V]

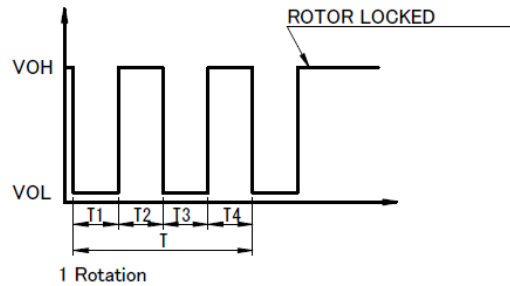


ALARM SIGNAL CIRCUIT

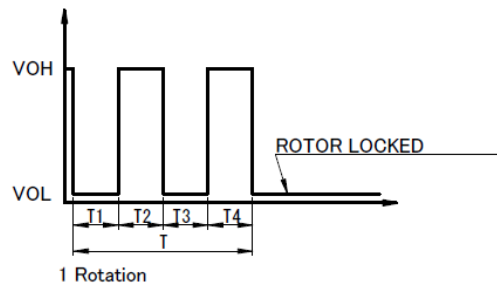
3. OUTPUT WAVEFORM : AT RATED VOLTAGE

OUTPUT SIGNAL VOLTAGE

3-1 Case-1



3-2 Case-2



- 1) When the rotor is locked at VOH position of signal, signal keeps VOH position.
- 2) When the rotor is locked at VOL position of signal, signal keeps VOL position.
- 3) $T = T1 + T2 + T3 + T4 = 60 / m = 1 \text{ rotation}$

m : min⁻¹

Tach Duty Cycle = 50% ± 10%