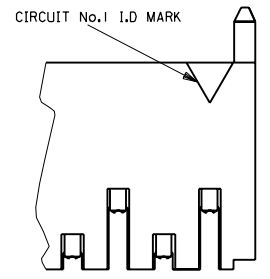
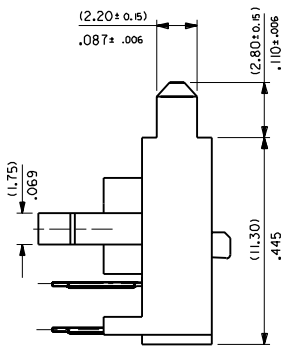
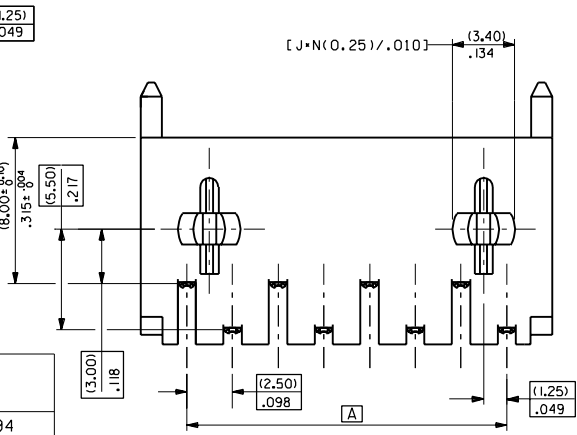
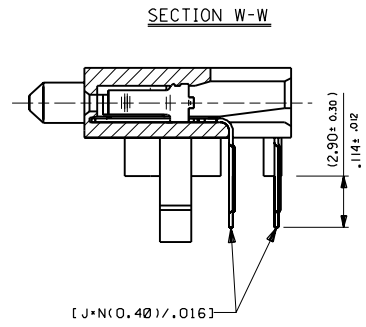
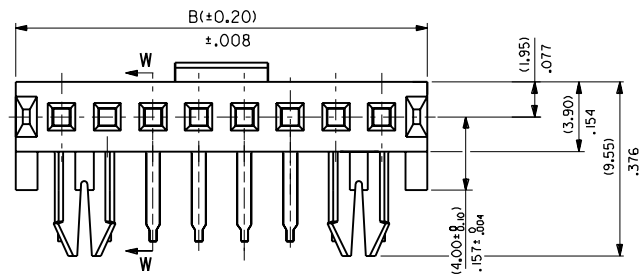
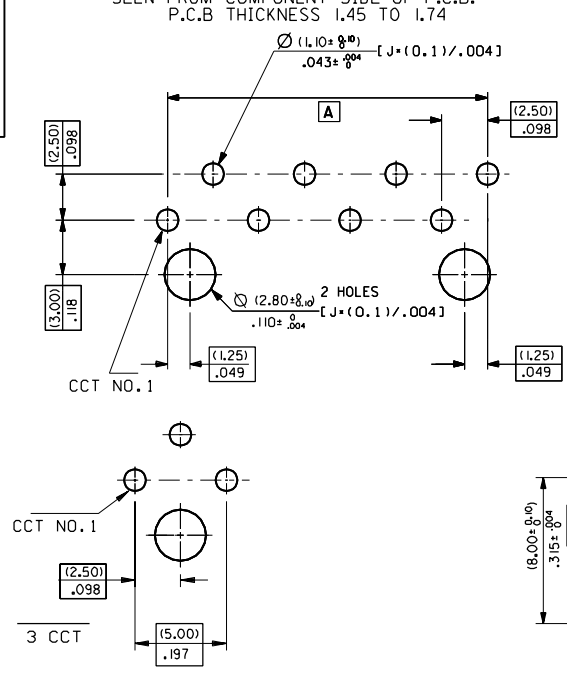


PART NO. SEE CHART
 DWG. NO. SDA-90783

RECOMMENDED P.C.B. HOLE LAYOUT

SEEN FROM COMPONENT SIDE OF P.C.B.
 P.C.B THICKNESS 1.45 TO 1.74



CCT SIZE	ENG. NUMBER	DIM	DIM
3	90783-0003	(5.00) / .197	(10.00) / .394
7	90783-0007	(15.00) / .591	(20.00) / .787
8	90783-0008	(17.50) / .689	(22.50) / .886
9	90783-0009	(20.00) / .787	(25.00) / .984
10	90783-0010	(22.50) / .886	(27.50) / 1.083
11	90783-0011	(25.00) / .984	(30.00) / 1.181
12	90783-0012	(27.50) / 1.083	(32.50) / 1.280
13	90783-0013	(30.00) / 1.181	(35.00) / 1.378
14	90783-0014	(32.50) / 1.280	(37.50) / 1.476
15	90783-0015	(35.00) / 1.378	(40.00) / 1.575
16	90783-0016	(37.50) / 1.476	(42.50) / 1.673
17	90783-0017	(40.00) / 1.575	(45.00) / 1.772
18	90783-0018	(42.50) / 1.673	(47.50) / 1.870
19	90783-0019	(45.00) / 1.772	(50.00) / 1.969
20	90783-0020	(47.50) / 1.870	(52.50) / 2.067

NOTES: 1. MATERIAL: HOUSING: POLYESTER, UL-94V-0, G.E VALOX 310-SE0.
 TERMINAL: PHOSPHOR BRONZE, PLATING: HOT TIN LEAD DIP, 60/40 TO 95/5, (2.5-4.5UM) / .100-.180UM.
 2. FOR UNSTATED DIMENSIONS AND PART NO.S SEE TABLE

VARIOUS MODS EC NO. E2001-0518 DRWNS.FARKAS 03/11/2000 CH/K: APPR:	QUALITY SYMBOLS MAJOR = CRITICAL = C =	GENERAL TOLERANCES: (UNLESS SPECIFIED)	SCALE 4:1	DESIGN UNITS <input checked="" type="checkbox"/> MM <input type="checkbox"/> INCH	THIRD ANGLE PROJECTION <input checked="" type="checkbox"/> MM <input type="checkbox"/> INCH	DIMENSIONS: <input checked="" type="checkbox"/> MM <input type="checkbox"/> INCH	SHT REV
		4 PLACES ±0. ±. 3 PLACES ±0. ±.008 2 PLACES ±0.20 ±.008 1 PLACE ±0.20 ±. ANGULAR: ± 2°	DRAWN BY & DATE SFARKAS 03/11/2000 CHECKED BY & DATE EFDLAN 03/11/2000 APPROVED BY & DATE MWILHITE 06/11/2000 CAD FILENAME	TITLE: 2.5mm UF B-To-B Rcpt RA Ltc Tnl	MATERIAL NO. SEE CHART	DRAWING NO. SDA-90783	SHEET NO. 10F 1
DRAFT WHERE APPLICABLE MUST REMAIN WITHIN DIMENSIONS	THIS DRAWING CONTAINS INFORMATION THAT IS PROPRIETARY TO MOLEX INCORPORATED AND SHOULD NOT BE USED WITHOUT WRITTEN PERMISSION.	SIZE B					