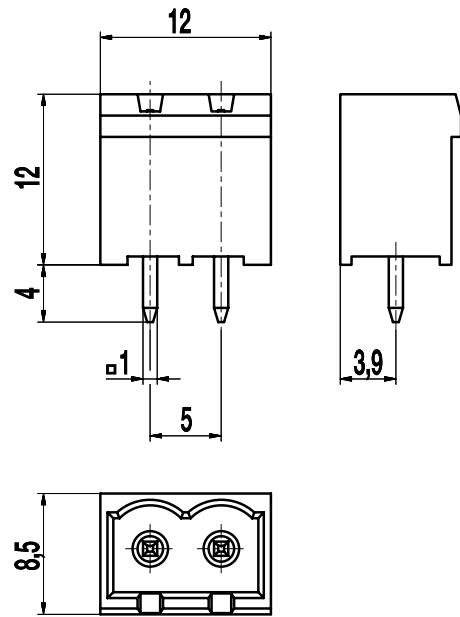
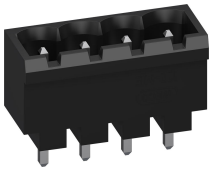


120-ME-221

Pin strip
Plug-in direction vertical to PCB



GENERAL INFORMATION

Pitch	5 mm
No. of poles	2 - 24
Usable with	120-FEP-311

TECHNICAL DATA

Rated Voltage	250V
Rated Impulse Voltage	4 kV
Rated Current	16 A
Hole in PCB	ø 1,5 mm

APPROVALS

	Current [A]	Voltage [V]	Group	AWG	[Nm]
	16	300	B, D		

MATERIAL

Moulding	PA V0, black
Temperature Range	-40°C up to 130°C
Solder pin	1,0 x 1,0 mm; tin-plated copper alloy

CONFIGURATIONS

Poles	Item	Article number	Length (L)	Packaging	PU
2	120-ME-221/02	20.806.926	12 mm	Box	250
3	120-ME-221/03	20.806.927	17 mm	Box	250
4	120-ME-221/04	20.806.928	22 mm	Box	250
5	120-ME-221/05	20.806.929	27 mm	Box	
6	120-ME-221/06	20.806.930	32 mm	Box	
7	120-ME-221/07	20.806.931	37 mm	Box	
8	120-ME-221/08	20.806.932	42 mm	Box	
9	120-ME-221/09	20.806.933	47 mm	Box	
10	120-ME-221/10	20.806.934	52 mm	Box	100
11	120-ME-221/11	20.806.935	57 mm	Box	
12	120-ME-221/12	20.806.93	62 mm	Box	

