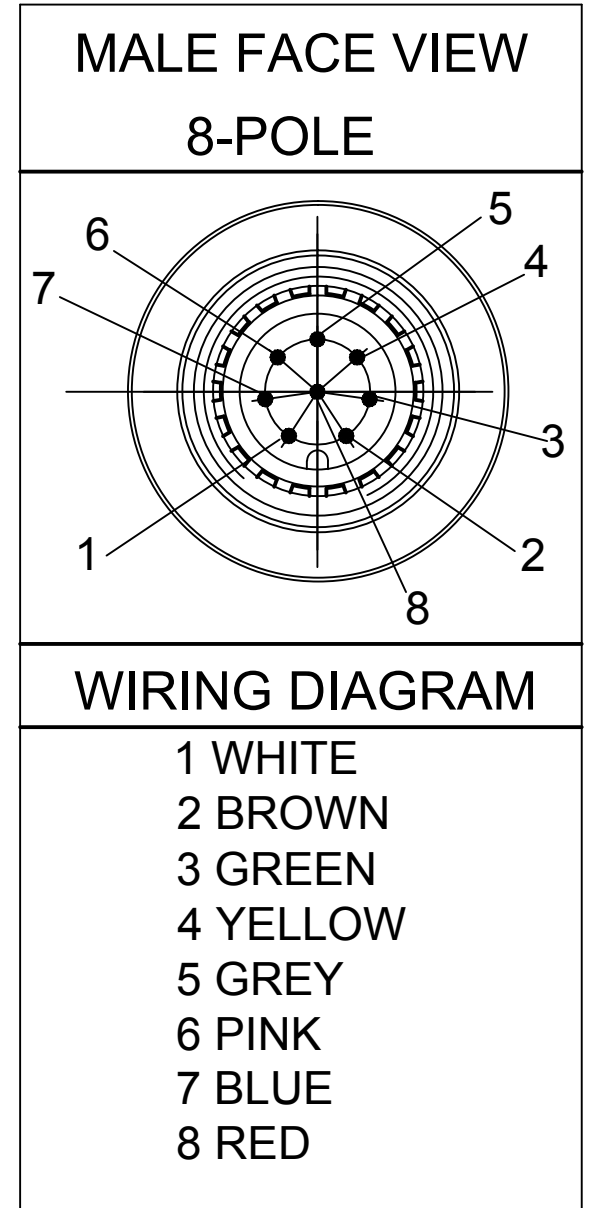
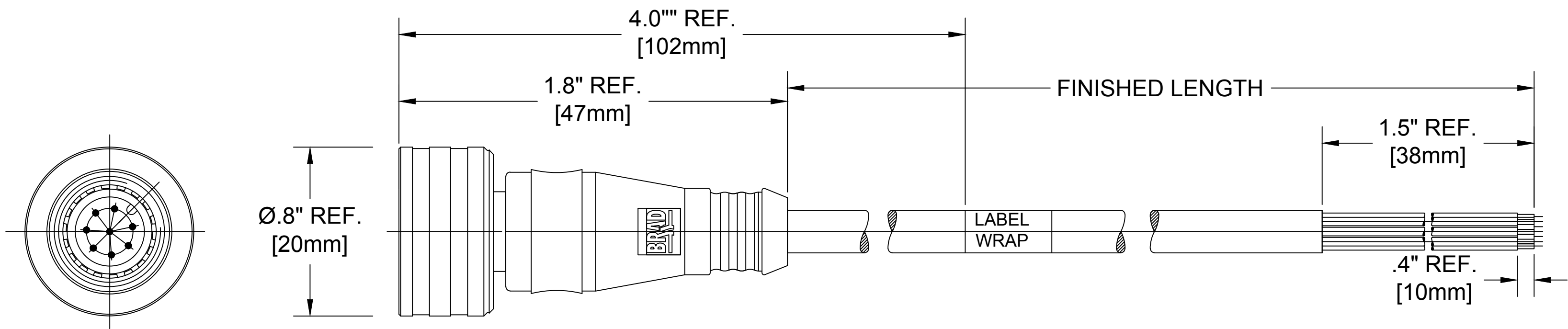


MATERIAL NUMBER	OLD PART NUMBER	FINISHED LENGTH
1200798026	W08006H09M020	2M +89mm -0 [6.6FT +3.5IN -0 ]



# W08006H08M020

CABLE TYPE  
8 x .25mm<sup>2</sup>  
BLACK PUR

CABLE LENGTH  
M020 --2 meters  
M100 --10 meters

## SPECIFICATION DATA

COMPONENT	MATERIAL	FINISH
LABEL	MYLAR	BLACK/YELLOW
COUPLER	BRASS	NICKEL PLATED
CONTACT	COPPER ALLOY	Au OVER Ni
O-RING	VITON	GREEN
INSERT	NYLON	BLACK
OVERMOLD	TPE	BLACK
CABLE #24/8	PUR	BLACK
VOLTAGE RATING:		30V
AMPERAGE RATING:		2A
PROTECTION CLASS:		IP67/68/69K
OPERATING TEMPERATURE:		-20°C / 80°C

RELEASE EC NO: IFCG2014-0567 DRWN: GGUSTAFS 2013/09/05 CH'KD: TWOLDEGE APPR: BWOODMAN2013/11/12	DESCRIPTION A	QUALITY SYMBOL	GENERAL TOLERANCES (UNLESS SPECIFIED) <table border="1"> <tr> <td></td> <td>mm</td> <td>INCH</td> </tr> <tr> <td>4 PLACES</td> <td>±---</td> <td>±---</td> </tr> <tr> <td>3 PLACES</td> <td>±---</td> <td>±.005</td> </tr> <tr> <td>2 PLACES</td> <td>±0.13</td> <td>±.010</td> </tr> <tr> <td>1 PLACE</td> <td>±0.25</td> <td>±.020</td> </tr> </table>		mm	INCH	4 PLACES	±---	±---	3 PLACES	±---	±.005	2 PLACES	±0.13	±.010	1 PLACE	±0.25	±.020	DIMENSION STYLE	SCALE	DESIGN UNITS	THIRD ANGLE PROJECTION TITLE <b>MICRO-CHANGE ULTRA LOCK          8-POLE MALE STRAIGHT          8 X .25MM2 BLACK PUR</b> MOLEX INCORPORATED DOCUMENT NO. SD-120079-068 SHEET NO. 1 OF 1
				mm	INCH																	
		4 PLACES		±---	±---																	
		3 PLACES		±---	±.005																	
2 PLACES	±0.13	±.010																				
1 PLACE	±0.25	±.020																				
$\nabla=0$ $\sphericalangle=0$	IN/MM	NTS	INCH																			
DRAFT WHERE APPLICABLE MUST REMAIN WITHIN DIMENSIONS	DRAWN BY DATE LSTEMMLE 2010/02/10 CHECKED BY DATE TWOLDEGE 2013/09/12 APPROVED BY DATE BWOODMAN 2013/11/12	MOLEX																				
SIZE <b>C</b>	MATERIAL NO. <b>SEE CHART</b>	THIS DRAWING CONTAINS INFORMATION THAT IS PROPRIETARY TO MOLEX INCORPORATED AND SHOULD NOT BE USED WITHOUT WRITTEN PERMISSION																				