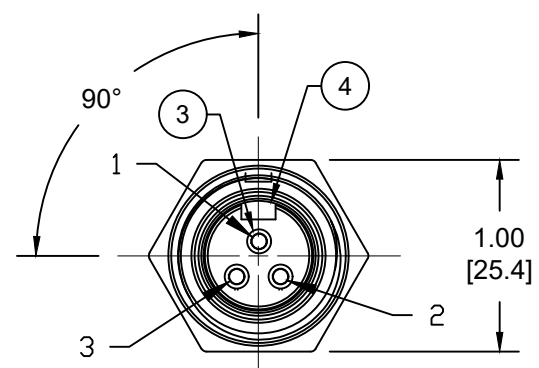
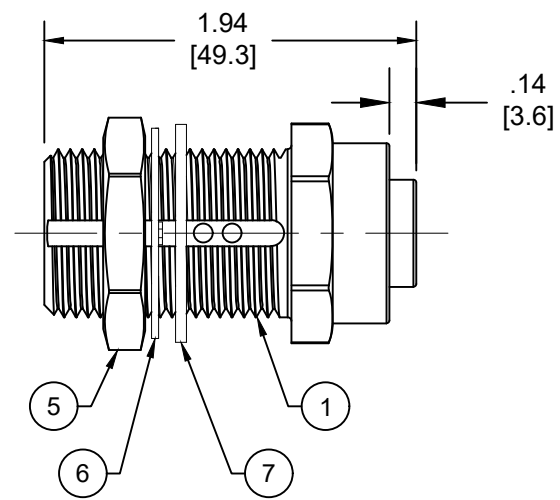


MALE INSERT - FRONT VIEW



FEMALE INSERT - FRONT VIEW

NOTES:

1. MATERIAL: AS NOTED
2. FINISH: AS NOTED
3. ELECTRICAL:
VOLTAGE: 600V
CURRENT: 13A
4. TEMP RATING: -20°TO +60°C
5. PROTECTION: IP67 (WHEN MATED)
6. COUPLING THREAD: 7/8-16UN
7. UL RECOGNIZED FILE: E152210
CSA CERTIFIED FILE: LR6837 (B)
8. ALL DIMENSIONS ARE FOR REFERENCE
UNLESS TOLERANCED OR NOTED OTHERWISE

MATERIAL NO.	ENGINEERING NO.
1300130255	1R3030

7	GASKET	NEOPRENE	BLACK
6	THRUST WASHER	NYLON	
5	LOCKNUT	BRASS	NICKEL OVER COPPER
4	FEMALE INSERT	TPC	YELLOW
3	PIN/SOCKET CONTACT	COPPER ALLOY	GOLD/NICKEL PLATED
2	MALE INSERT	TPE	YELLOW
1	RECEPTACLE SHELL	BRASS	NICKEL OVER COPPER
ITEM	DESCRIPTION	MATERIAL	FINISH

FUNCTIONAL SYMBOLS FA=0 FC=0 FE=0	THIS DRAWING CONTAINS INFORMATION THAT IS PROPRIETARY TO MOLEX ELECTRONIC TECHNOLOGIES, LLC AND SHOULD NOT BE USED WITHOUT WRITTEN PERMISSION			
	DIMENSION UNITS	SCALE		CURRENT REV DESC: ITEM #2 WAS PVC. ITEM #4 WAS TPE. ADDED UL & CSA IN NOTES. EC NO: 669893 DRWN: ABENJAMINLW 2021/04/09 CHK'D: RSTONE 2021/07/12 APPR: BWOODMAN 2021/07/14 INITIAL REVISION: DRWN: BWOODMAN 2009/07/28 APPR: JFMURPHY 2009/08/10
	INCH/MM	NTS		
	GENERAL TOLERANCES (UNLESS SPECIFIED)			
	mm	INCH		
DIVISIONAL SYMBOLS	4 PLACES	±----	±----	
	3 PLACES	±----	±----	
	2 PLACES	±----	±----	
	1 PLACE	±----	±----	
	0 PLACES	±----	±----	
	ANGULAR TOL ± ---- °			
	DRAFT WHERE APPLICABLE MUST REMAIN WITHIN DIMENSIONS		THIRD ANGLE PROJECTION	DRAWING
				SERIES
				MATERIAL NUMBER
				CUSTOMER
				SHEET NUMBER

molex

MINI-CHANGE RECEPTACLE, A-SIZE
3 POLE, MALE - FEMALE, PASS-THRU

PRODUCT CUSTOMER DRAWING

DOCUMENT NUMBER	DOC TYPE	DOC PART	REVISION
SD-130013-011	PSD	001	B

DOCUMENT STATUS	P1	RELEASE DATE	2021/07/14	21:16:15
-----------------	----	--------------	------------	----------