

## Cable gland - G-INS-PG11-M68N-PNES-BK - 1424497

Please be informed that the data shown in this PDF Document is generated from our Online Catalog. Please find the complete data in the user's documentation. Our General Terms of Use for Downloads are valid (<http://phoenixcontact.com/download>)




Cable gland, cable gland material: PA, external cable diameter 5 mm ... 10 mm, shielding: no, connecting thread: Pg11, color: jet black RAL 9005

### Your advantages

- ✔ Plastic material conforms to UL 746C f1

### Key Commercial Data

Packing unit	5 pc
Minimum order quantity	5 pc
GTIN	 4 055626 373270
GTIN	4055626373270

### Technical data

#### Dimensions

Length	38 mm
Wrench size, union nut	22 mm
Wrench size, support	22 mm
Hexagon angular dimension	25 mm
Length of the connecting thread	8 mm
Feed-through hole diameter	18.7 mm ... 18.8 mm
External cable diameter	5 mm ... 10 mm
	5 mm ... 10 mm (for UL 514 B)

#### Ambient conditions

Degree of protection (IP)	IP68 (5 bar / 0.5 h)
Ambient temperature (operation)	-40 °C ... 100 °C (static)

#### General

No. of conductors	1
-------------------	---

# Cable gland - G-INS-PG11-M68N-PNES-BK - 1424497

## Technical data

### General

Cable gland material	PA
Cable seal material	CR
Flammability rating according to UL 94	V2
	V2 (Housing)
Shielded	no
Thread type connection side	Pg11
Thread type on connection side	Pg11
Torque	2 Nm (Union nut: EN 62444)
	2 Nm (Support: EN 62444)
	4.5 Nm (for UL514 B: union nut)
Color	jet black RAL 9005
Assembly instructions	1) Mount screw connection support in the housing using the correct torque 2) Insert cable 3) Tighten union nut using the correct torque
Manufacturer	BIMED
Manufacturer Designation	BS-23

### Standards and Regulations

Flammability rating according to UL 94	V2
--	----

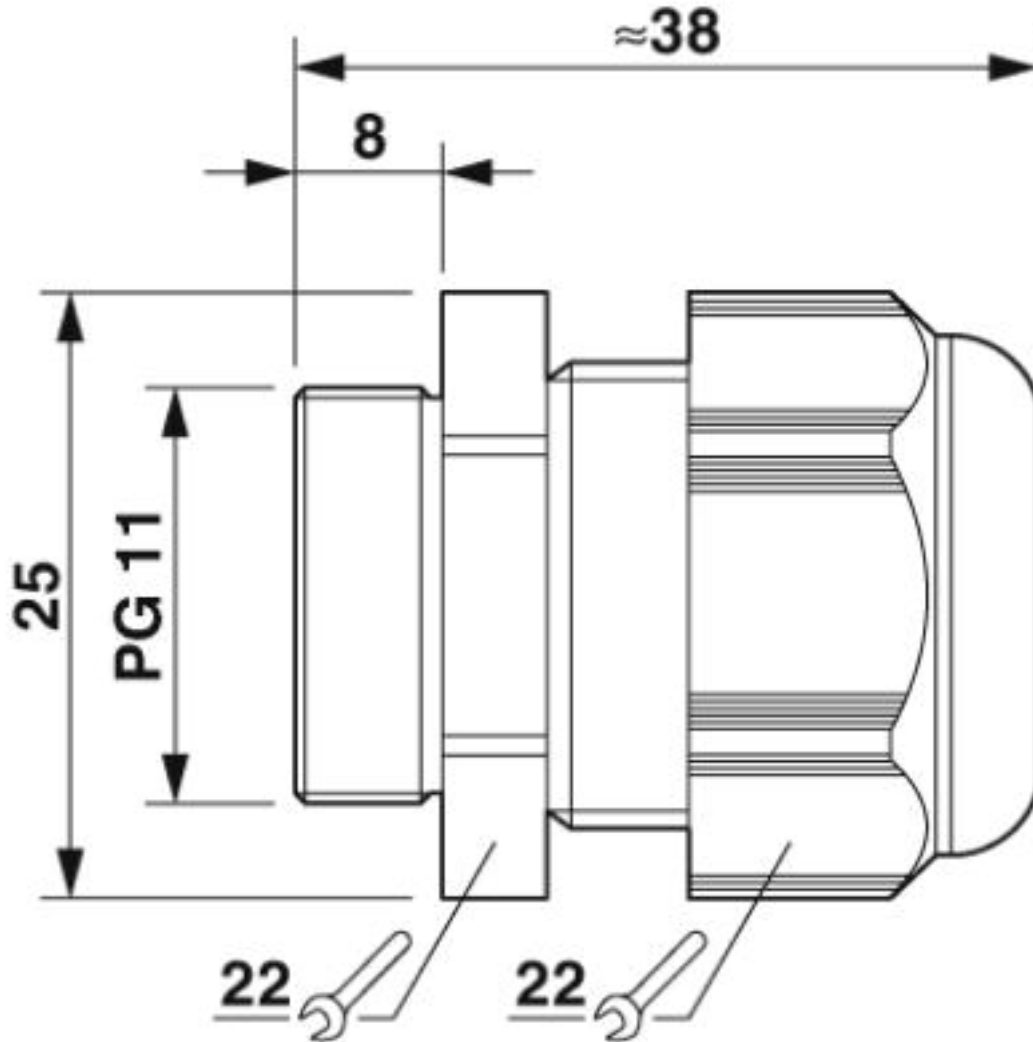
### Environmental Product Compliance

China RoHS	Environmentally friendly use period: unlimited = EFUP-e
	No hazardous substances above threshold values

## Drawings

# Cable gland - G-INS-PG11-M68N-PNES-BK - 1424497

Dimensional drawing



Dimensional drawing

Approvals

Approvals

---

Approvals

CSA / UL Recognized / cUL Recognized / cULus Recognized

---





Ex Approvals

---

Approval details

## Cable gland - G-INS-PG11-M68N-PNES-BK - 1424497

### Approvals

CSA		<a href="http://www.csagroup.org/services-industries/product-listing/">http://www.csagroup.org/services-industries/product-listing/</a>	115116
UL Recognized		<a href="http://database.ul.com/cgi-bin/XYV/template/LISEXT/1FRAME/index.htm">http://database.ul.com/cgi-bin/XYV/template/LISEXT/1FRAME/index.htm</a>	E199260
cUL Recognized		<a href="http://database.ul.com/cgi-bin/XYV/template/LISEXT/1FRAME/index.htm">http://database.ul.com/cgi-bin/XYV/template/LISEXT/1FRAME/index.htm</a>	E199260
cULus Recognized			

Phoenix Contact 2019 © - all rights reserved  
<http://www.phoenixcontact.com>

PHOENIX CONTACT GmbH & Co. KG  
Flachsmarktstr. 8  
32825 Blomberg  
Germany  
Tel. +49 5235 300  
Fax +49 5235 3 41200  
<http://www.phoenixcontact.com>