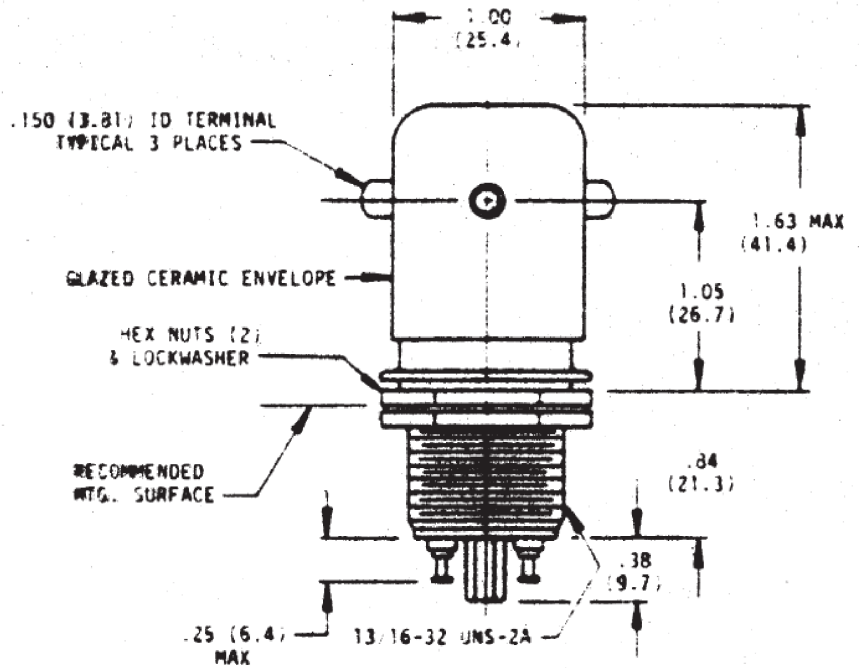
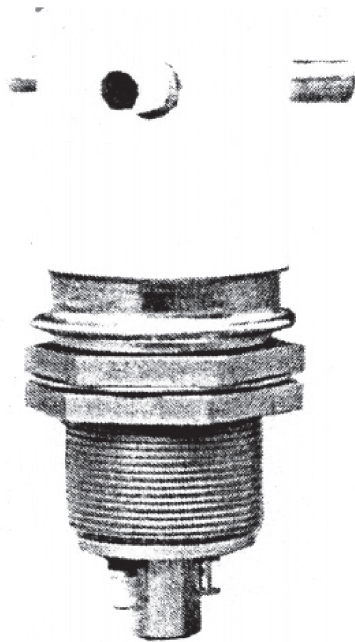


K60C SERIES MAKE ONLY LOAD SWITCHING

REVISIONS

REV.	ECO	DESCRIPTION	DATE	APPROVED
A	-	INITIAL DRAWING	07AUG2020	TN

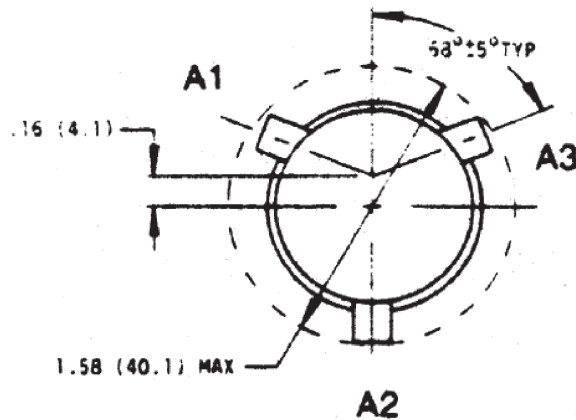


**K60C(35KV)**

**Product facts**

- \* 35 kv rating operated in oil or potting
- \* Smallest 35 KV rated relay available

\*Customer must isolate high voltage terminals using suitable dielectric such as oil or potting



TITLE

K60C SERIES MAKE ONLY LOAD SWITCHING

TE P.N.

DWG NO.

K60C-SERIES

DS DATA SHEET

CAGE CODE  
18741

SCALE  
NONE

SHEET  
1 OF 2

REV  
A

K60C SERIES MAKE ONLY LOAD SWITCHING

**Product Specifications**

**Contact Arrangement** — SPDT

**Contact Form** — C

**Test Voltage, DC or 60 Hz (Peak)** —  
37 kV\*\*

**Rated Operating Voltage (Peak)** —  
DC or 60 Hz — 35 kV\*\*

**Continuous Carry Current, Max.** —  
DC or 60 Hz — 10 A RMS  
Coil Hi-Pot (Vrms, 60 Hz) — 500 A RMS

**Contact Resistance, Max.** — N/A

**Operate Time, Max.** — 15 ms

**Release Time, Max.** — 15 ms

**Shock, 11ms, 1/2 Sine (Peak)** —  
20 g

**Vibration** —  
Peak — 10 g (55 to 500 Hz)

**Operating Ambient Temperature  
Range** — -55°C to +85°C

**Mechanical Life** — 1 million cycles


**Weight, Nominal** — 93.6 g (3.3 oz.)

**Note:**

\*\*37 kV test voltage, 35 kV operate  
voltage when operated in oil.

RELAY PART NUMBER	K60C731	K60C831	K60C931
Volts, Nominal DC	12 V	26.5 V	115 V
Pickup, Max.	9 Vdc	18 Vdc	90 Vdc
Dropout	.5-5 Vdc	1-10 Vdc	5-50 Vdc
Coil Resistance (±10%)	30 Ω	125 Ω	2000 Ω

Ratings listed are for 25°C, sea level conditions **Coil Data**

 TE CONNECTIVITY CARPINTERIA, CA 93013		TITLE K60C SERIES MAKE ONLY LOAD SWITCHING			
		TE P.N.		DWG NO. K60C-SERIES	
DS	DATA SHEET	CAGE CODE 18741	SCALE NONE	SHEET 2 OF 2	REV A