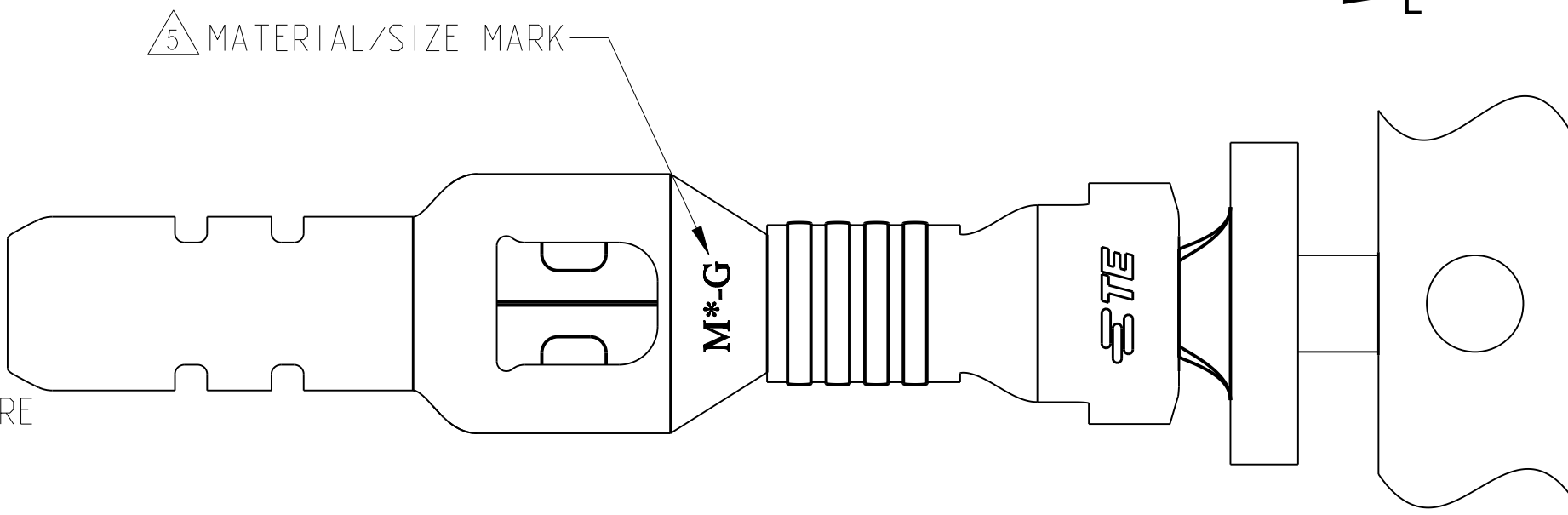
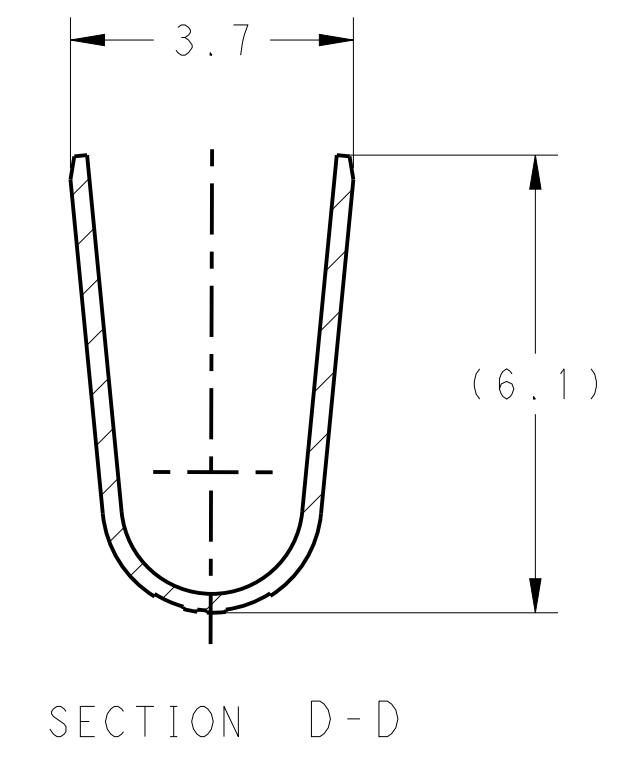
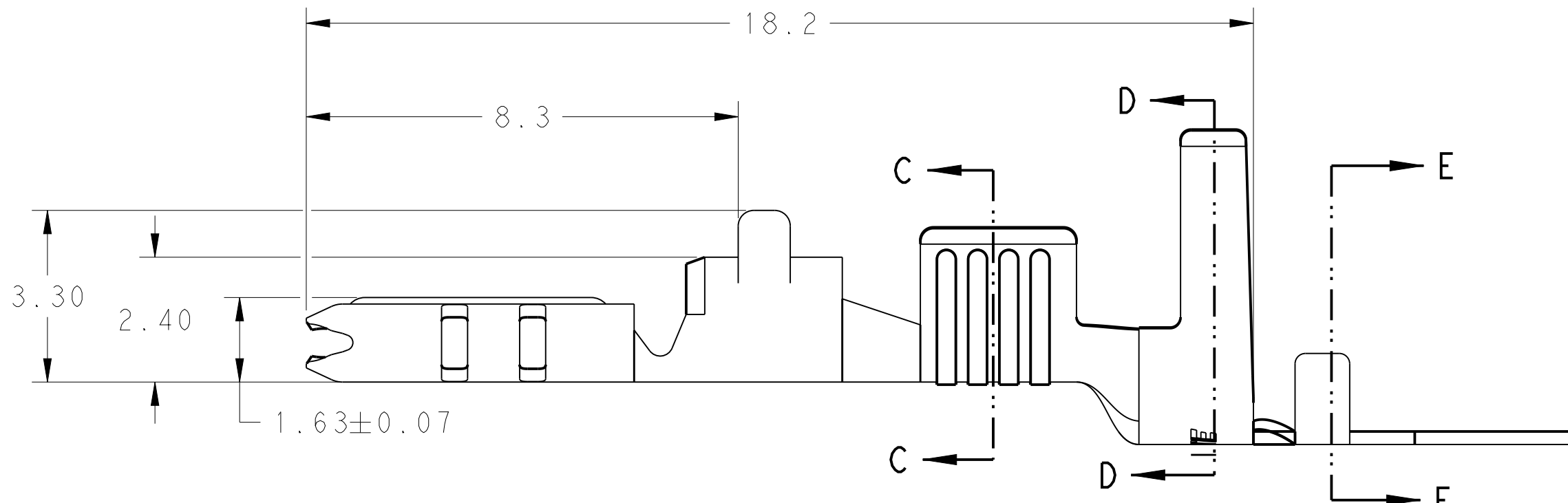
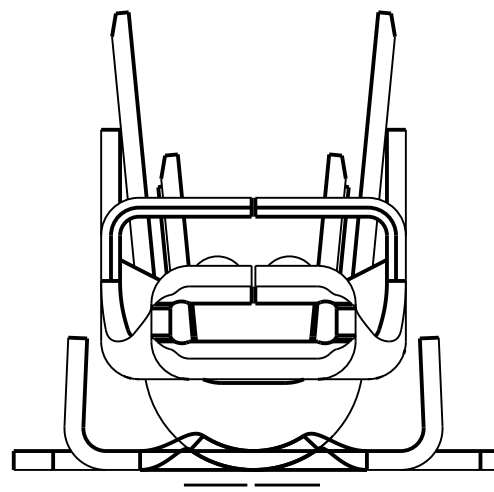
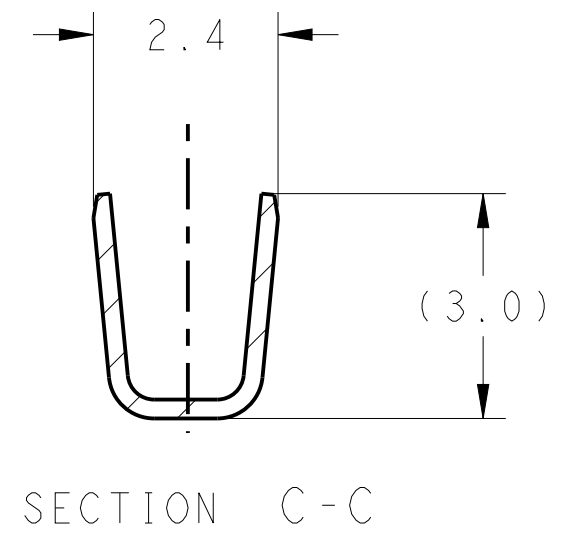
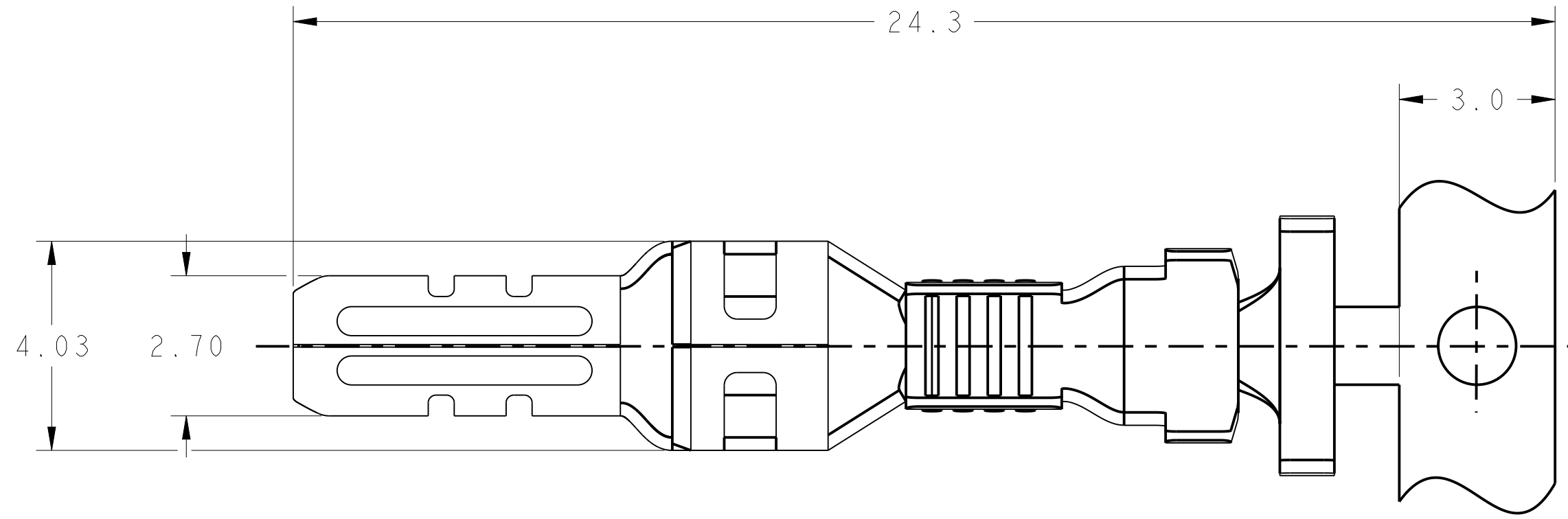
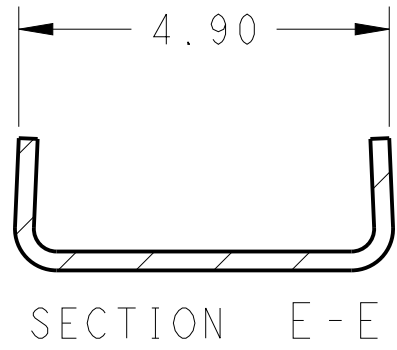


THIS DRAWING IS UNPUBLISHED. RELEASED FOR PUBLICATION 20
 © COPYRIGHT 20 BY - ALL RIGHTS RESERVED.

LOC	DIST	REVISIONS			
P	LTR	DESCRIPTION	DATE	DWN	APVD
ES	00				
	E	REVISED PER ECR-21-100678	08APR2021	SS	VS



- 1 MATERIAL: COPPER ALLOY, PRE TIN PLATING
- 2 RECOMMENDED WIRE RANGE: 2x20 AWG, 1x18+1x22 AWG (TOTAL CMA 2000 ~ 2620) COPPER STRANDED
- 3 APPLICABLE INSULATION DIAMETER: 2.2 ~ 2.8 mm EACH WIRE
- 4 APPLICABLE MATED CAP HOUSING P/N:
 -1971772-/*-1971775-*/*-1971875-*/
 -2232263-/*-2232264-*/*-2232356-*

5 WIRE SIZE INDICATOR "G"=2x20 AWG, 1x18+1x22 AWG

SUPERSEDED BY 1971238-2

HIGH(150°C)	M0-G	1971238-2
STANDARD(105°C)	M4	1971238-1
TEMP. RATING	MATERIAL / SIZE MARK	PART NO

THIS DRAWING IS A CONTROLLED DOCUMENT.

DWN	TOMMY WU	9AUG2012	TE Connectivity
CHK	HAPYE WU	9AUG2012	
APVD	YUJHONG MAO	9AUG2012	
PRODUCT SPEC	108-106118		
APPLICATION SPEC	114-106118		NAME TAB CONTACT POWER TRIPLE LOCK
MATERIAL			SIZE CAGE CODE DRAWING NO A2100779 C-1971238
			RESTRICTED TO -
			Customer Drawing SCALE 5:1 SHEET 1 OF 1 REV E