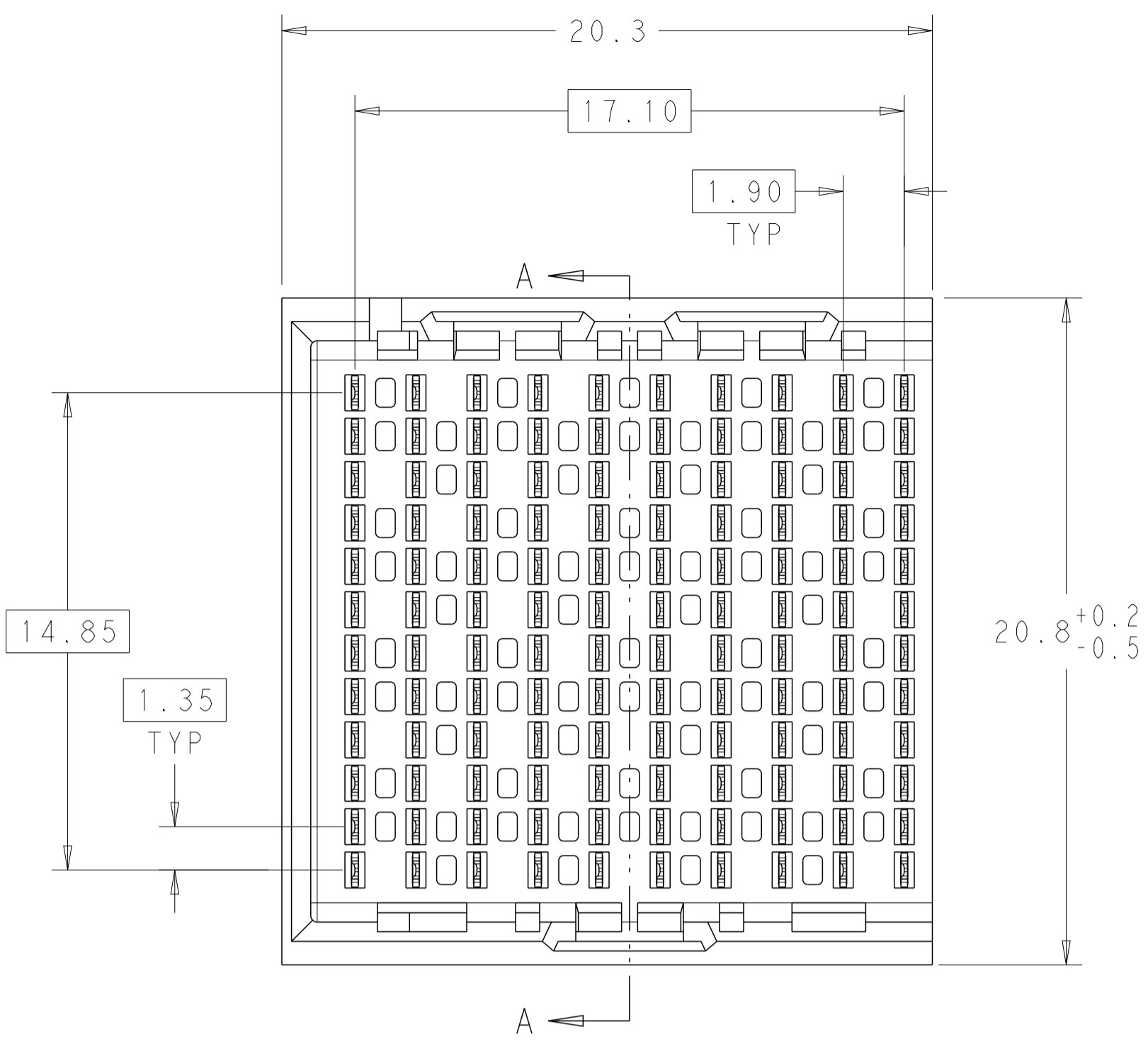
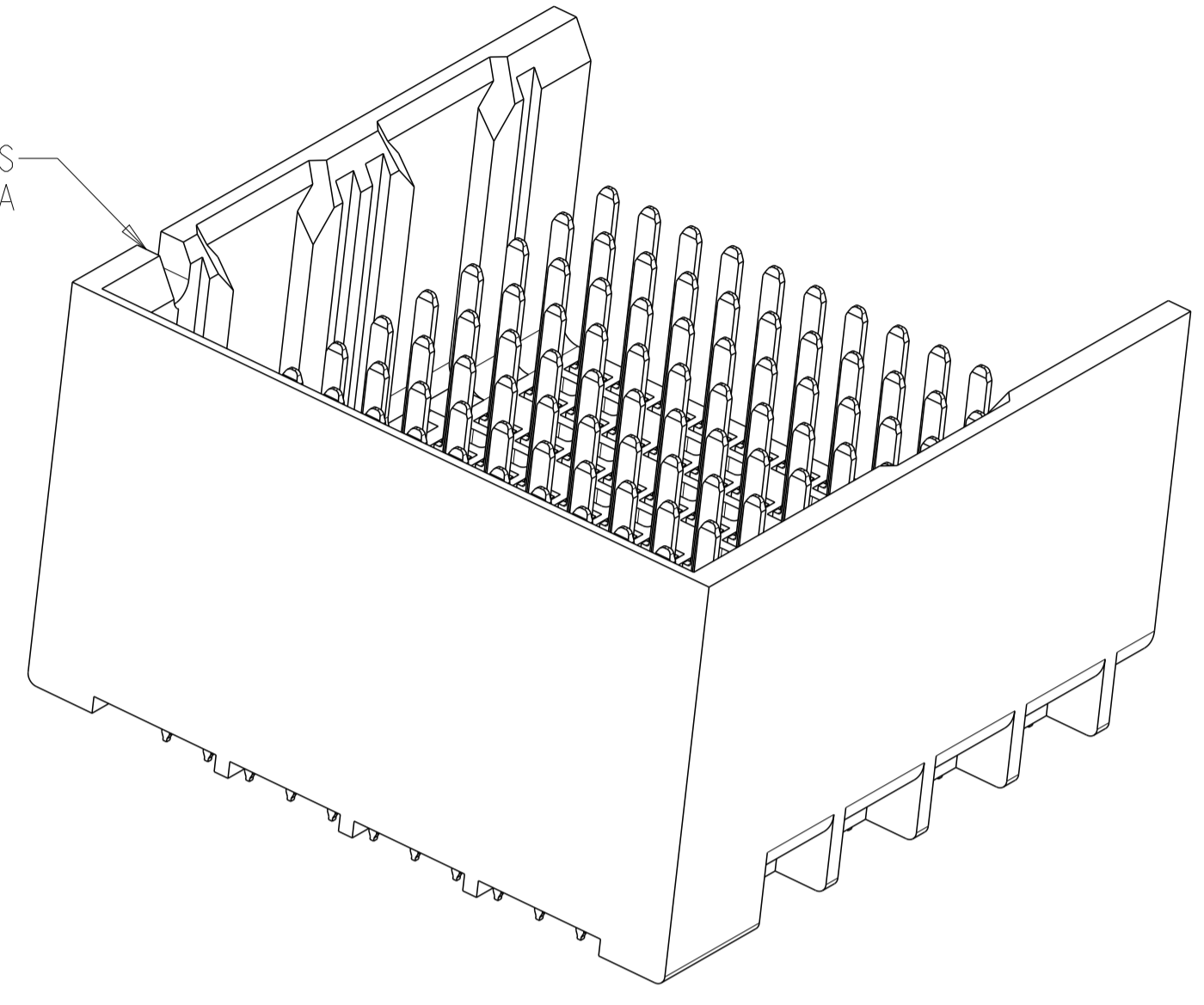


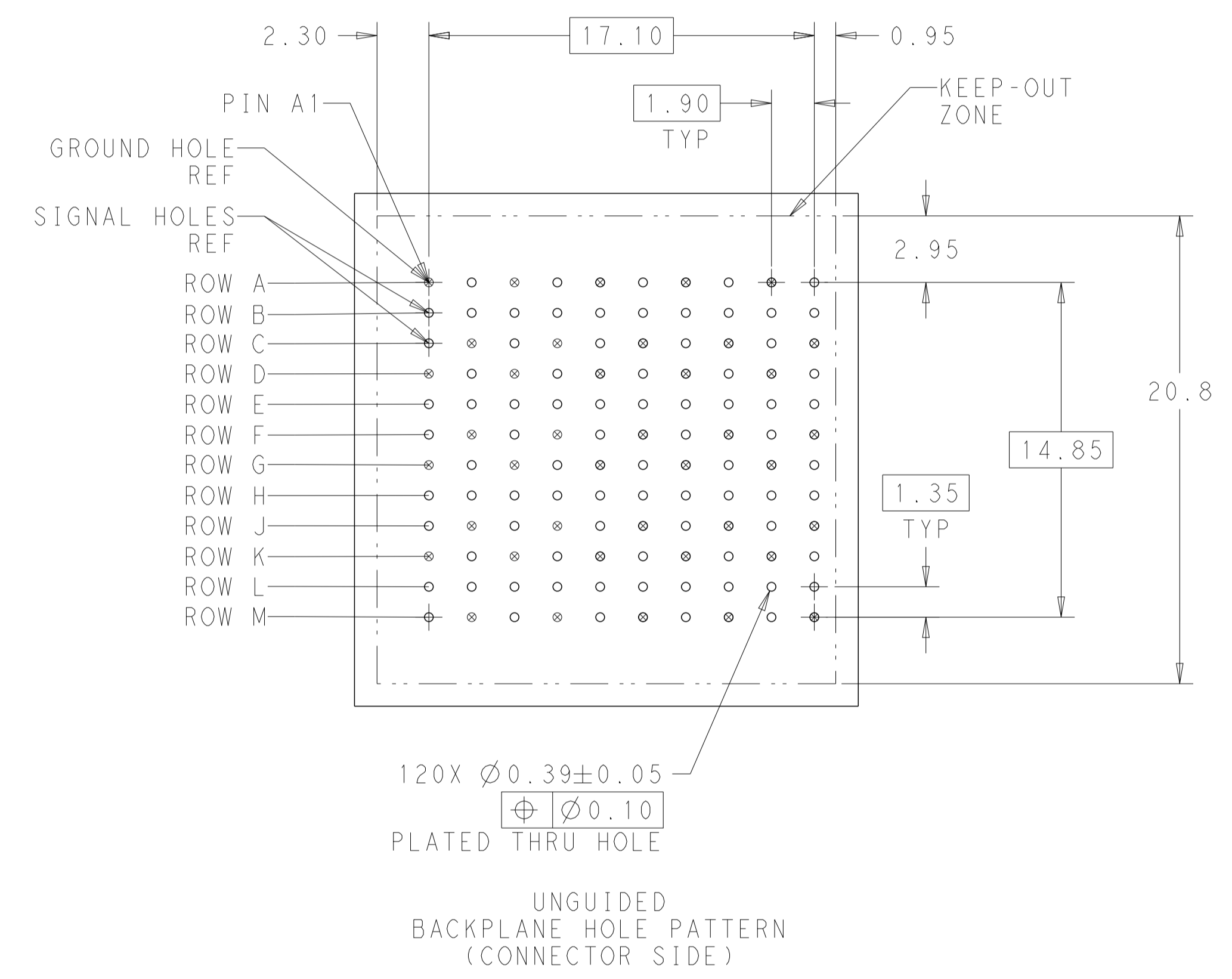
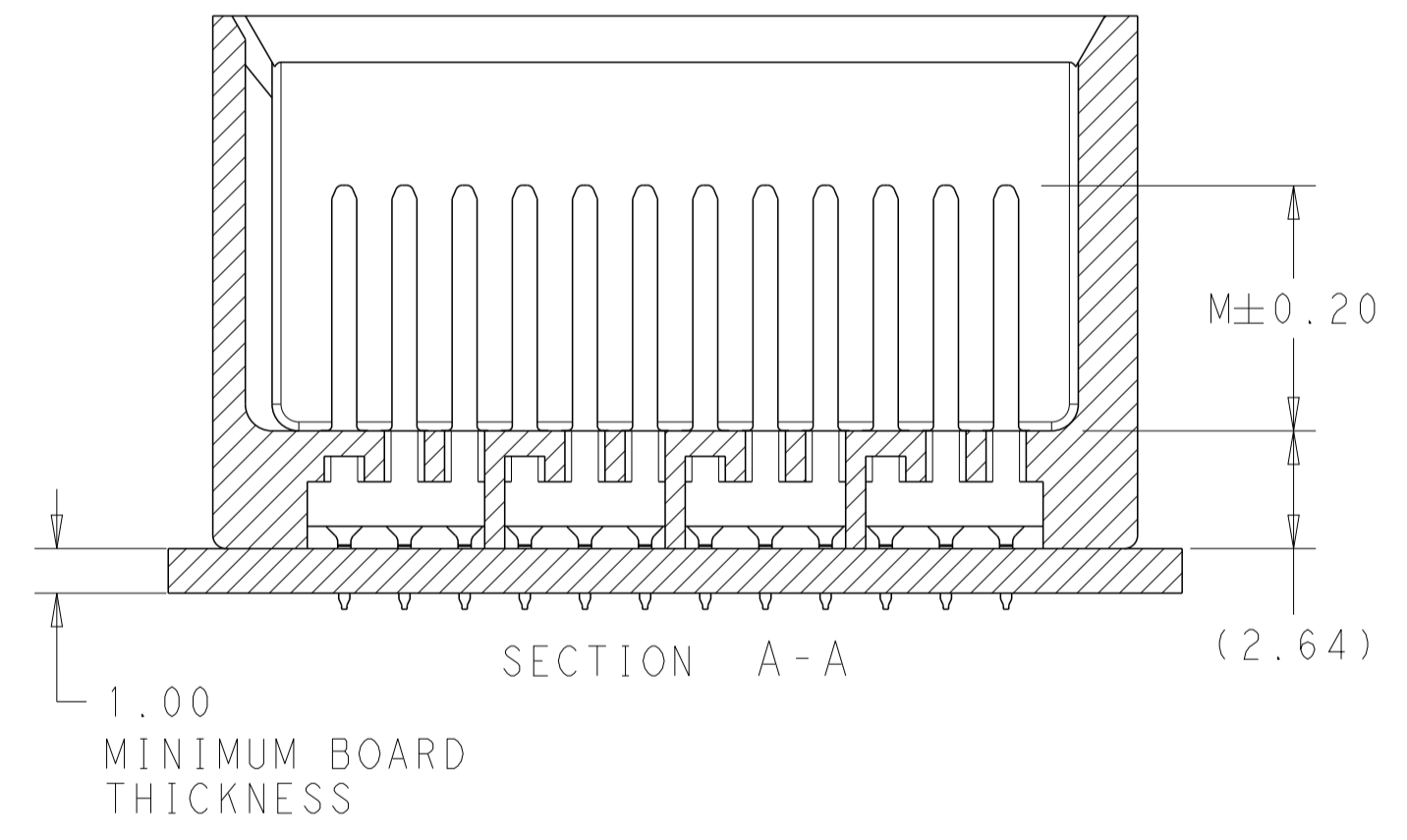
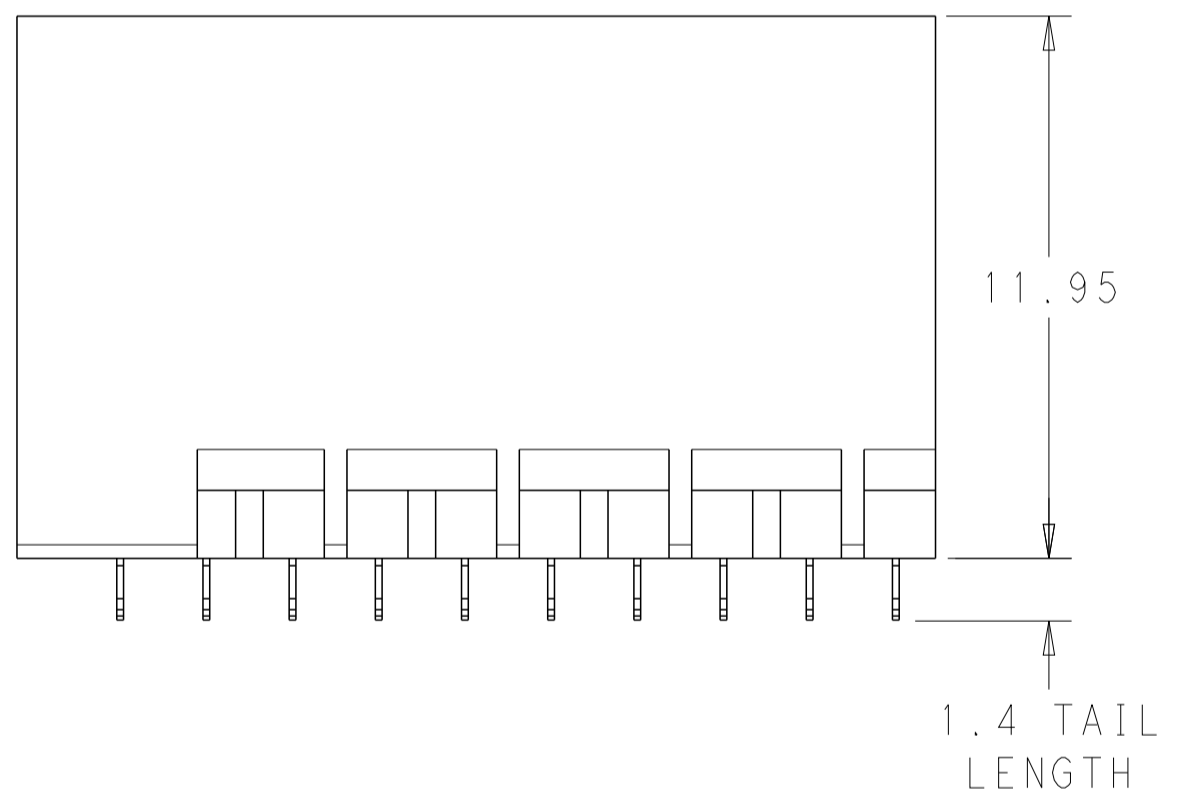
LOC		DIST		REVISIONS			
P	LTN	DESCRIPTION	DATE	DWN	APVD		
B3		REVISED PER ECN-22-135126	07FEB2022	A.S	H.L		



NOTCH DESIGNATES ROW A



- 1 MATERIAL:
HOUSING: LCP, GLASS FILLED, UL94V-0.
TERMINALS: HIGH PERFORMANCE COPPER ALLOY.
- 2 FINISH:
30μ" MIN GOLD IN CONTACT AREA. SELECTIVE TIN ON PCB TAILS, NICKEL OVERALL.
- 3 FINISH:
30μ" MIN GOLD IN CONTACT AREA. SELECTIVE TIN-LEAD ON PCB TAILS, NICKEL OVERALL.



3	5.5	2007821-6	OBSOLETED
3	4.9	2007821-5	
3	4.5	2007821-4	
2	5.5	2007821-3	
2	4.9	2007821-2	
2	4.5	2007821-1	
FINISH	DIM M	PART NUMBER	

REFER TO WWW.TE.COM FOR PRODUCT AVAILABILITY

THIS DRAWING IS A CONTROLLED DOCUMENT.		DWN J.K.SHOBER 13JAN2011	TE Connectivity
DIMENSIONS: mm		CHK J.EARY 13JAN2011	
TOLERANCES UNLESS OTHERWISE SPECIFIED:		APVD J.EARY 13JAN2011	NAME IMPACT, 4 PAIR, 10 COLUMN, HEADER
0 PLC ±	1 PLC ±0.25	PRODUCT SPEC	UNGUIDED, LEFT END WALL
2 PLC ±0.13	3 PLC ±	APPLICATION SPEC	SIGNAL MODULE, 0.39 PTH
4 PLC ±	ANGLES ±	SIZE CAGE CODE DRAWING NO	A100779C=2007821
MATERIAL	FINISH SEE TABLE	WEIGHT	RESTRICTED TO
CUSTOMER DRAWING		SCALE 6:1	SHEET 1 OF 1 REV B3