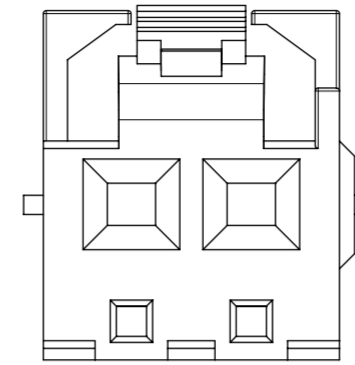


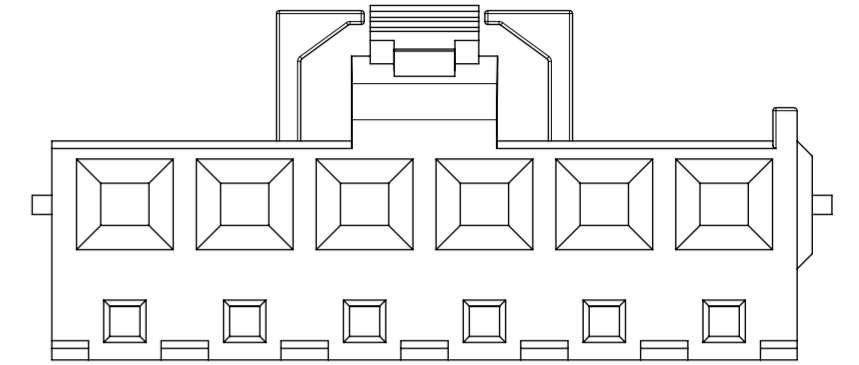
- NOTES:
1. MATERIAL: PA66 , RATED UL94V-0, COLOR- BLACK
 2. PRODUCT SPECIFICATION: 2074580000-PS
 3. PACKAGING SPECIFICATION: 2074580000-PK
 4. COSMETIC SPECIFICATION: PS-45499-002 CLASS B
 5. HOUSING ACCEPTS TERMINALS FROM 45570 SERIES

POLARIZATION

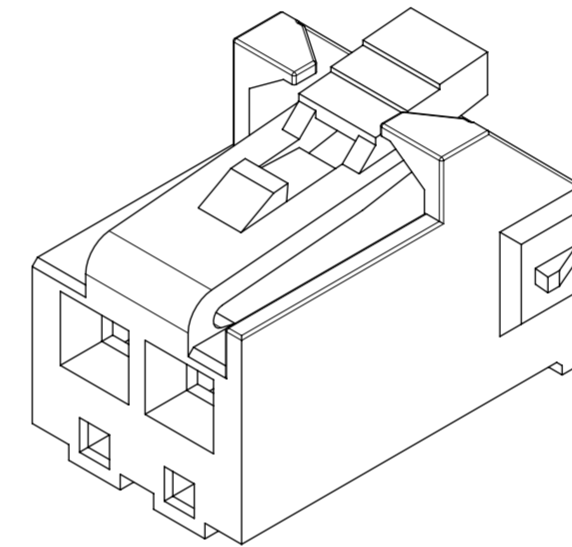
2 CKT



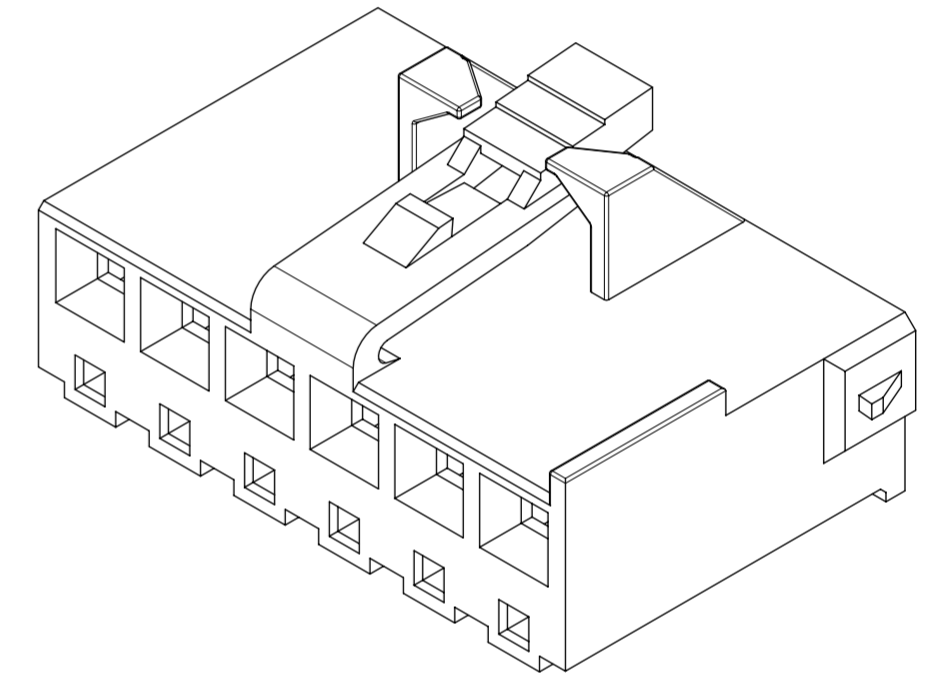
3 TO 6 CKT



ISOMETRIC OF 2 CKT



ISOMETRIC OF 6 CKT



CIRCUIT SIZE	PART NUMBER	DIM. A
02	2074580002	10.29
03	2074580003	13.25
04	2074580004	17.21
05	2074580005	21.18
06	2074580006	25.14

THIS DRAWING CONTAINS INFORMATION THAT IS PROPRIETARY TO MOLEX ELECTRONIC TECHNOLOGIES, LLC AND SHOULD NOT BE USED WITHOUT WRITTEN PERMISSION

DIMENSION UNITS	SCALE	CURRENT REV DESC:						
mm	4:1							
GENERAL TOLERANCES (UNLESS SPECIFIED)		<p>molex</p> <p>KK PLUS 396 RECEPTACLE HOUSING</p> <p>PRODUCT CUSTOMER DRAWING</p>						
ANGULAR TOL	± 0.5°							
4 PLACES	±							
3 PLACES	±							
2 PLACES	± 0.2							
1 PLACE	± 0.25							
0 PLACES	±	<p>INITIAL REVISION:</p> <p>DRWN: GUNAGI 2018/09/19</p> <p>APPR: NCSR 2019/02/05</p>						
DRAFT WHERE APPLICABLE MUST REMAIN WITHIN DIMENSIONS		THIRD ANGLE PROJECTION	DRAWING	SERIES	DOCUMENT NUMBER	DOC TYPE	DOC PART	REVISION
			A2-SIZE	207458	2074580000-SD	PSD	000	A2
					SEE TABLE	GENERAL MARKET		SHEET NUMBER
								1 OF 1

DOCUMENT STATUS	P1	RELEASE DATE	2022/05/13	18:11:34