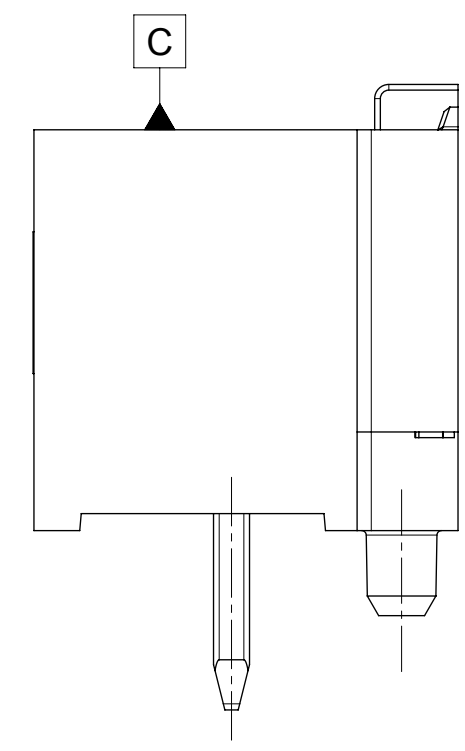
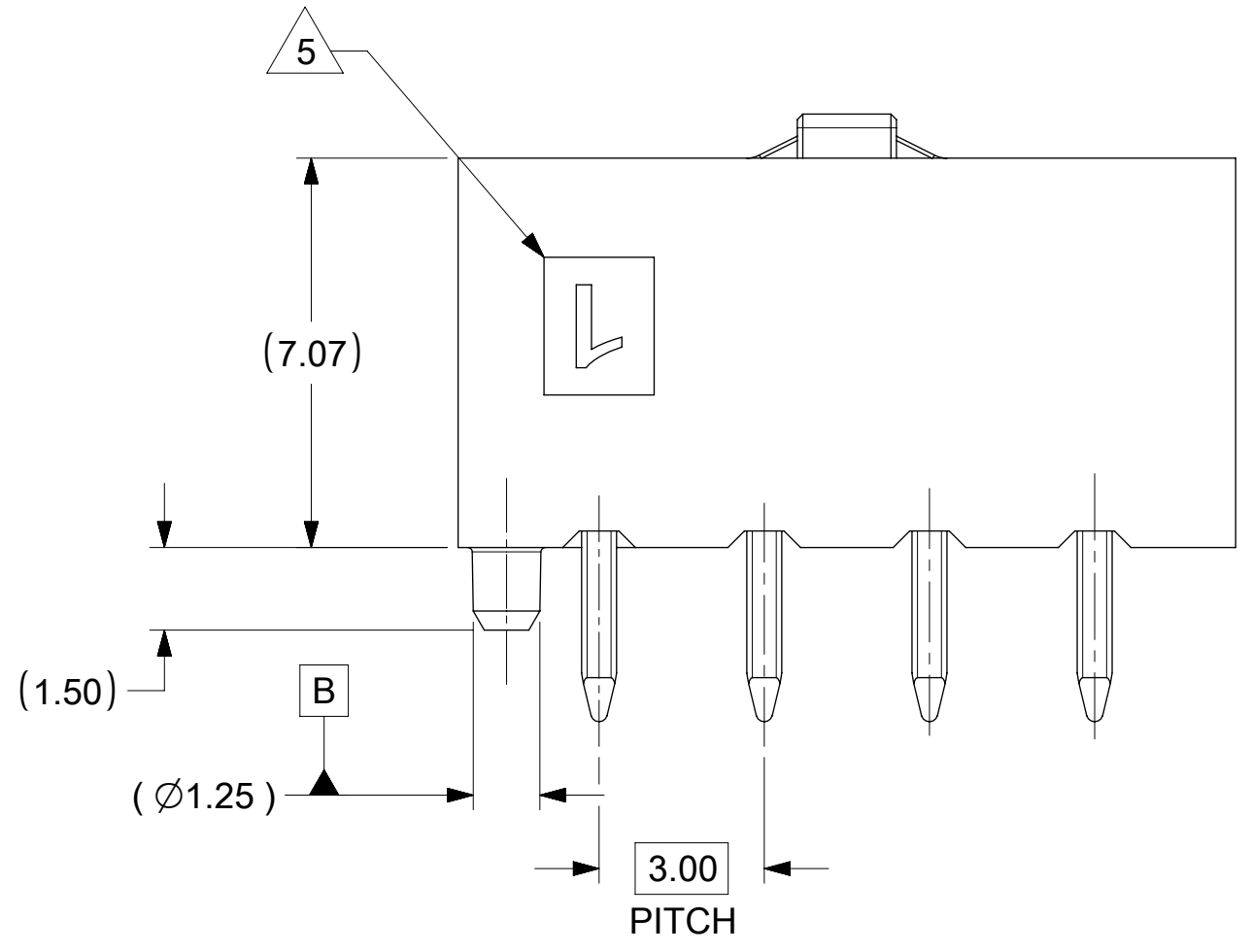
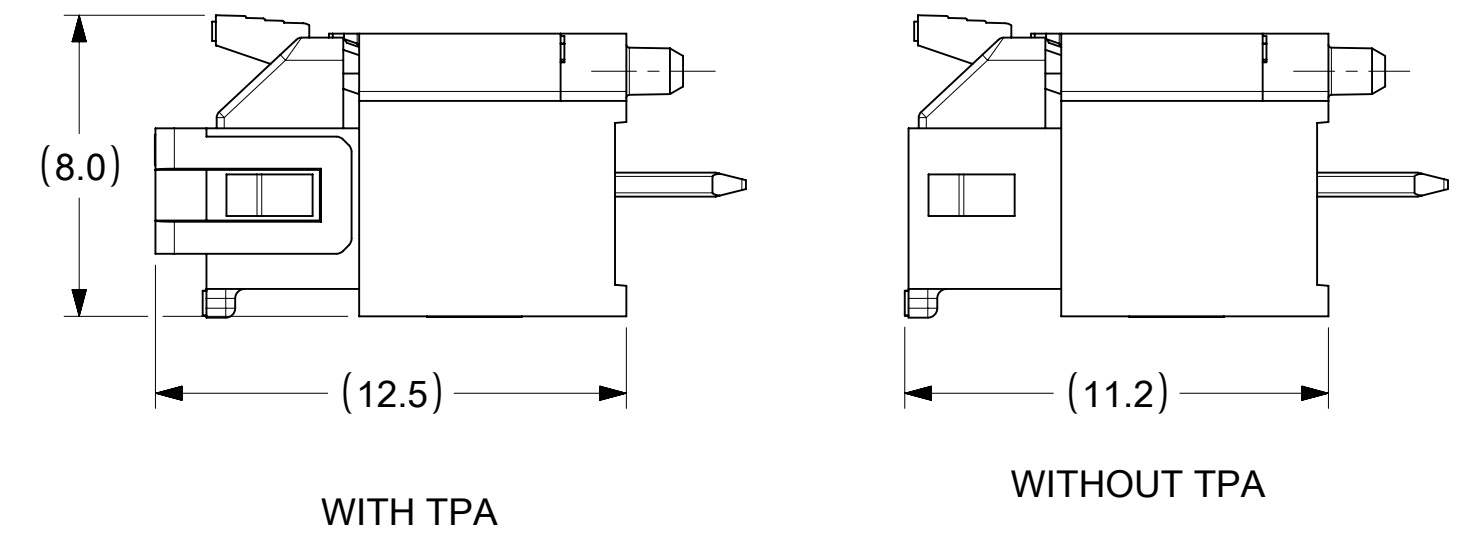


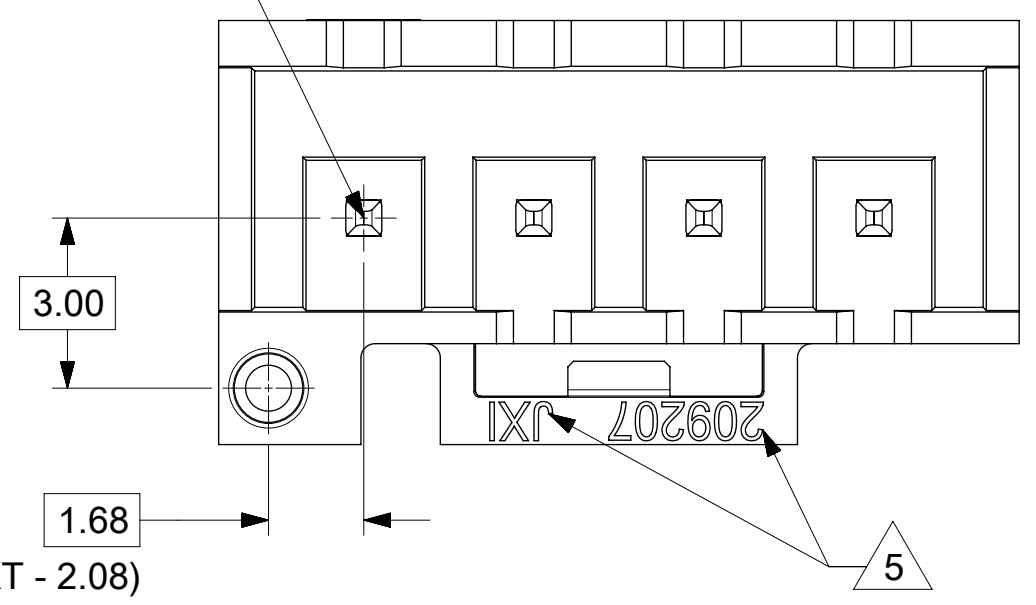
ISOMETRIC VIEW FOR 4 CKT  
HEADER ASSEMBLY



ASSEMBLY DIMENSIONS



⊕ Ø0.40 C B



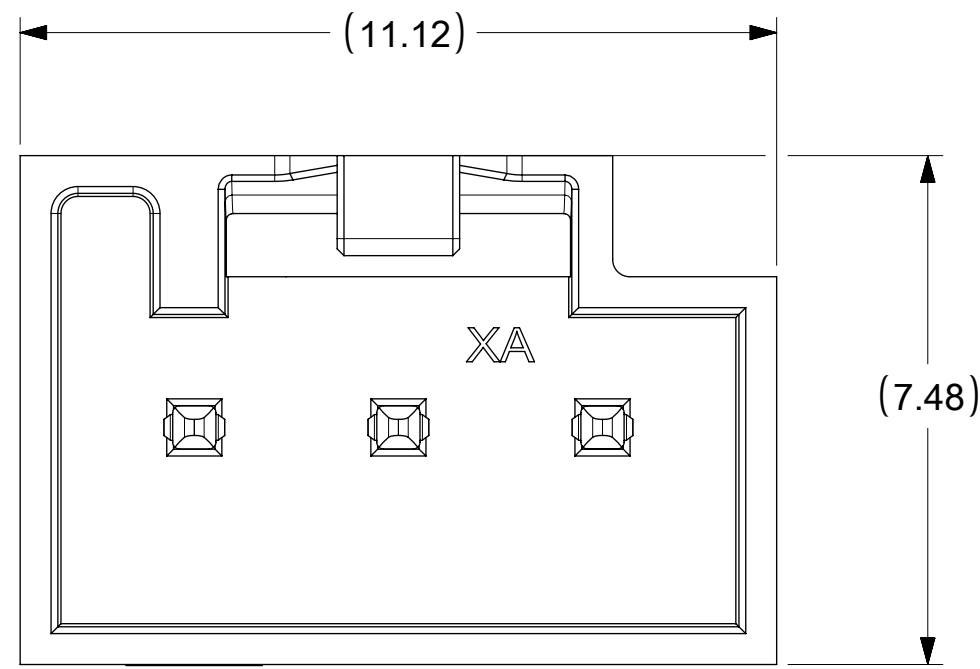
- NOTES:
- MATERIAL:
    - HOUSING: LIQUID CRYSTAL POLYMER, RATED UL 94V-0, COLOUR-BLACK
    - TERMINAL: COPPER ALLOY  
PLATING: TIN OVER NICKEL OVERALL.
  - PRODUCT SPECIFICATION: 2092080000-PS
  - PACKAGING SPECIFICATION: 2092080002-PK
  - COSMETIC SPECIFICATION: PS-45499-002 CLASS B
  - CIRCUIT ID, CAVITY ID, SERIES NUMBER, FACTORY ID LOCATION

HEADER ASSEMBLY PN	CKT	HOUSING PN	TERMINAL PN	DIM. "B"
2092080002	2	2092070002	2117310001	8.92
2092080003	3	2092070003		11.12
2092080004	4	2092070004		14.12

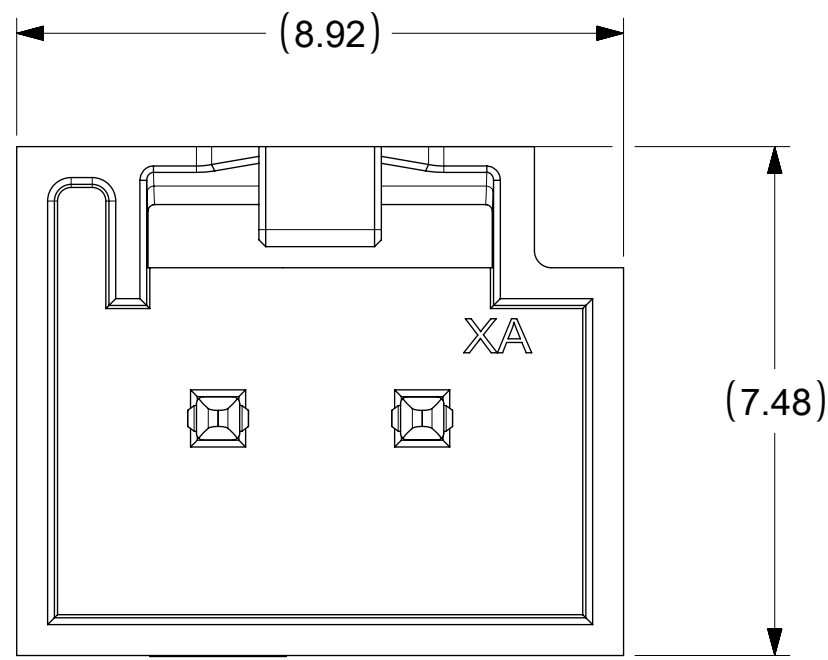
THIS DRAWING CONTAINS INFORMATION THAT IS PROPRIETARY TO MOLEX ELECTRONIC TECHNOLOGIES, LLC AND SHOULD NOT BE USED WITHOUT WRITTEN PERMISSION

DIMENSION UNITS <b>mm</b>	SCALE <b>6:1</b>	CURRENT REV DESC:	<b>molex</b>		
GENERAL TOLERANCES (UNLESS SPECIFIED)					
ANGULAR TOL ± °		EC NO: 707267	PRODUCT CUSTOMER DRAWING		
4 PLACES ±		DRWN: SHRUTJ 2022/05/16	DOCUMENT NUMBER		
3 PLACES ±		CHK'D: SHRUTJ 2022/05/18	2092080000-SD		
2 PLACES ± 0.25		APPR: ISHWARG 2022/05/19	DOC TYPE	DOC PART	REVISION
1 PLACE ± 0.3		INITIAL REVISION:	PSD	000	A2
0 PLACES ±		DRWN: GSHARMA 2019/01/16	MATERIAL NUMBER		
		APPR: ISHWARG 2020/05/22	CUSTOMER		
DRAFT WHERE APPLICABLE MUST REMAIN WITHIN DIMENSIONS	THIRD ANGLE PROJECTION	DRAWING	SHEET NUMBER		
		C-SIZE	209208		
		SERIES	GENERAL MARKET		
			1 OF 2		

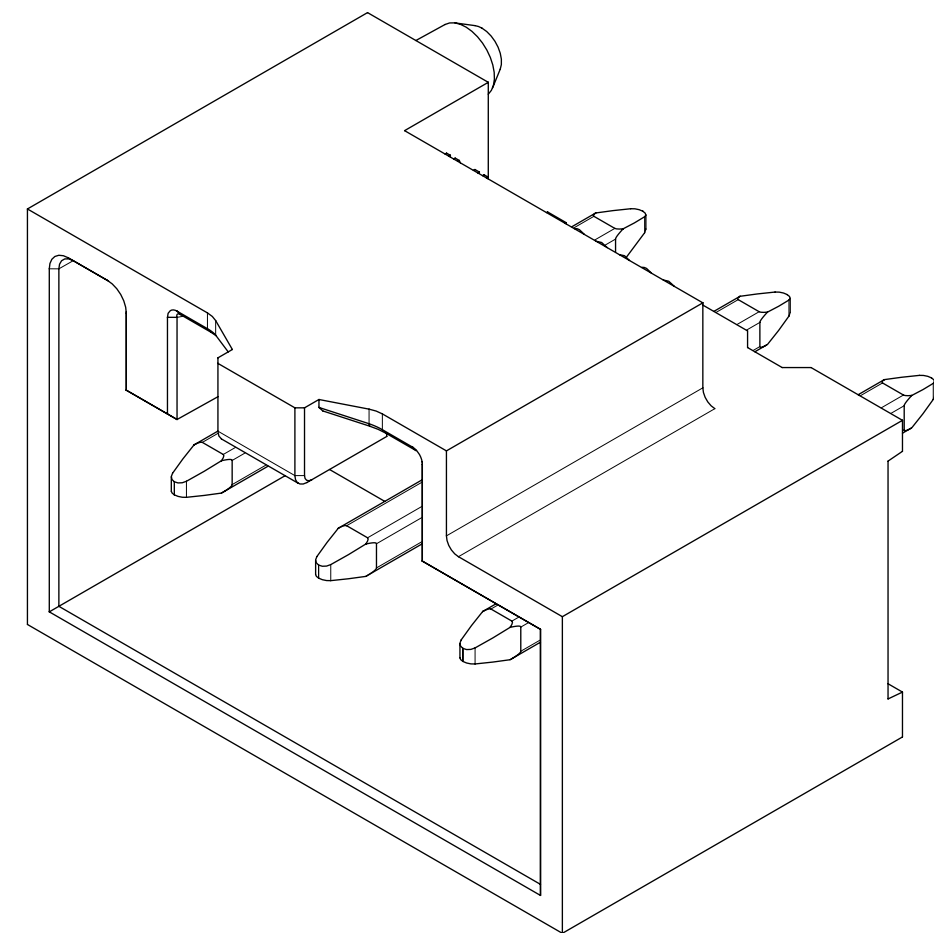
# POLARIZATION



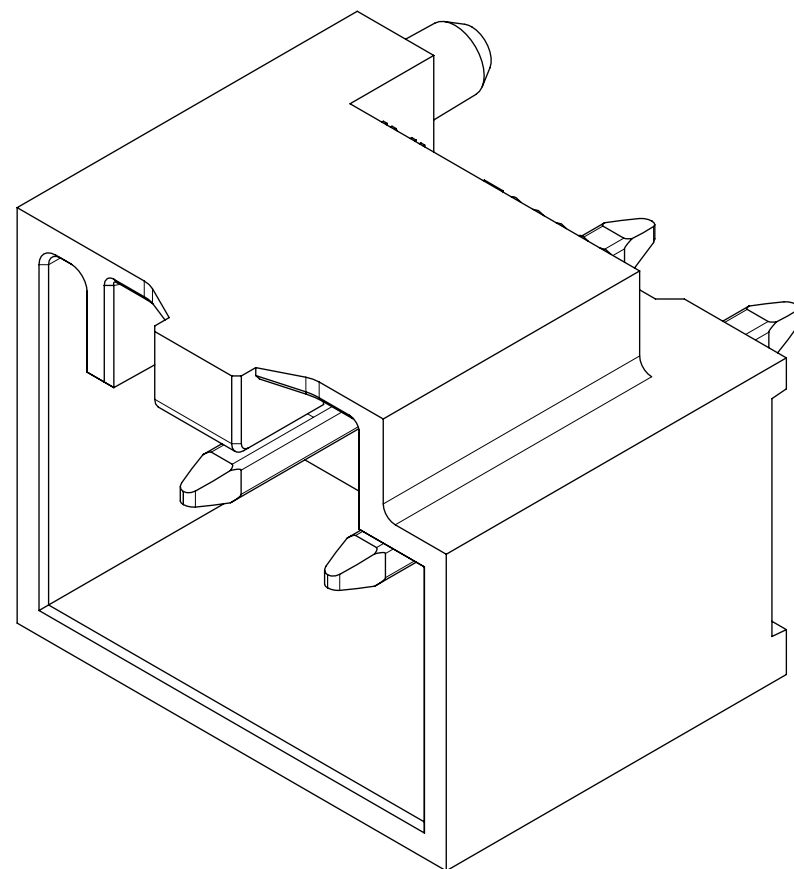
3 & 4 CKT HEADER ASSEMBLY



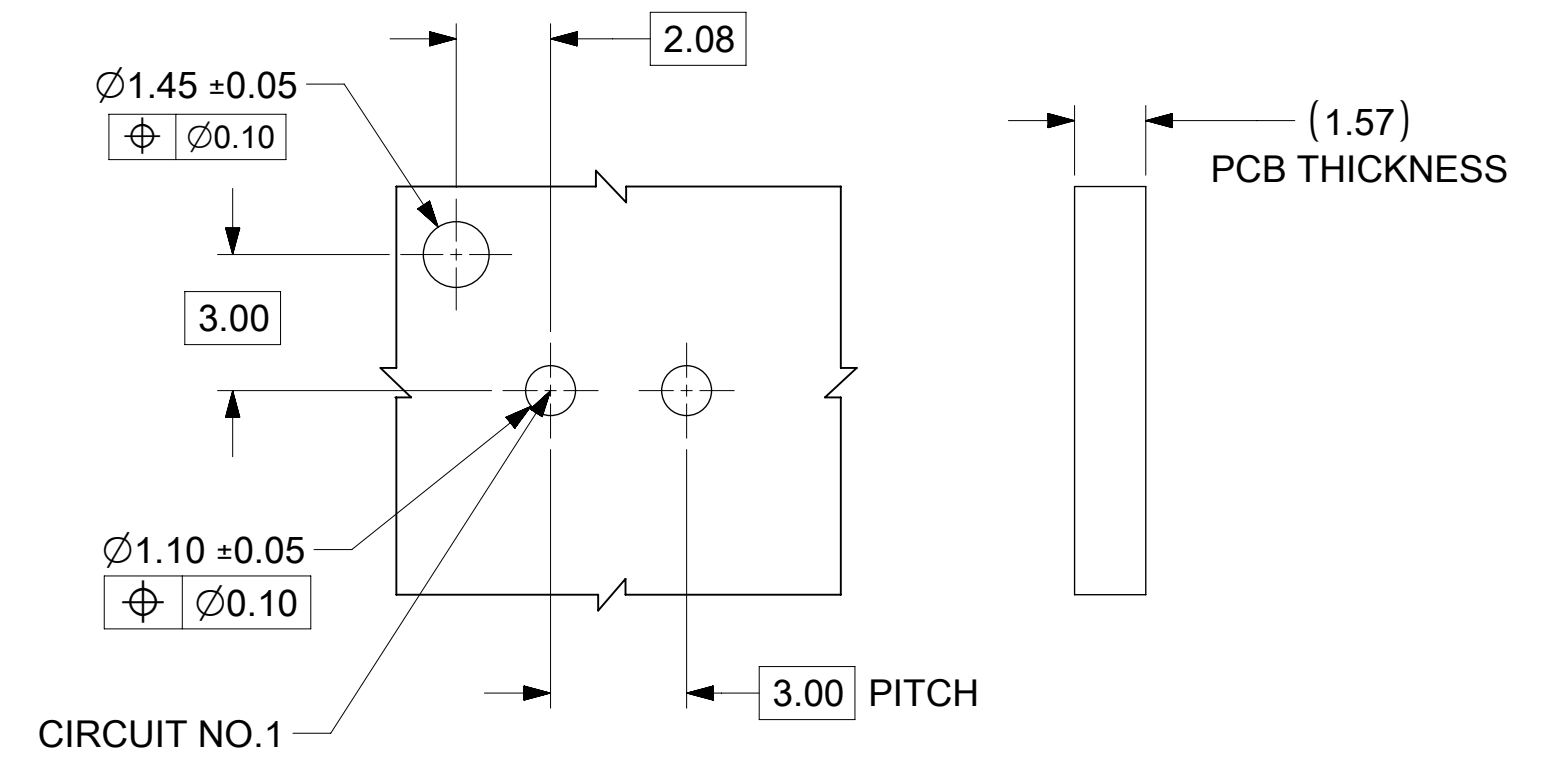
2 CKT HEADER ASSEMBLY



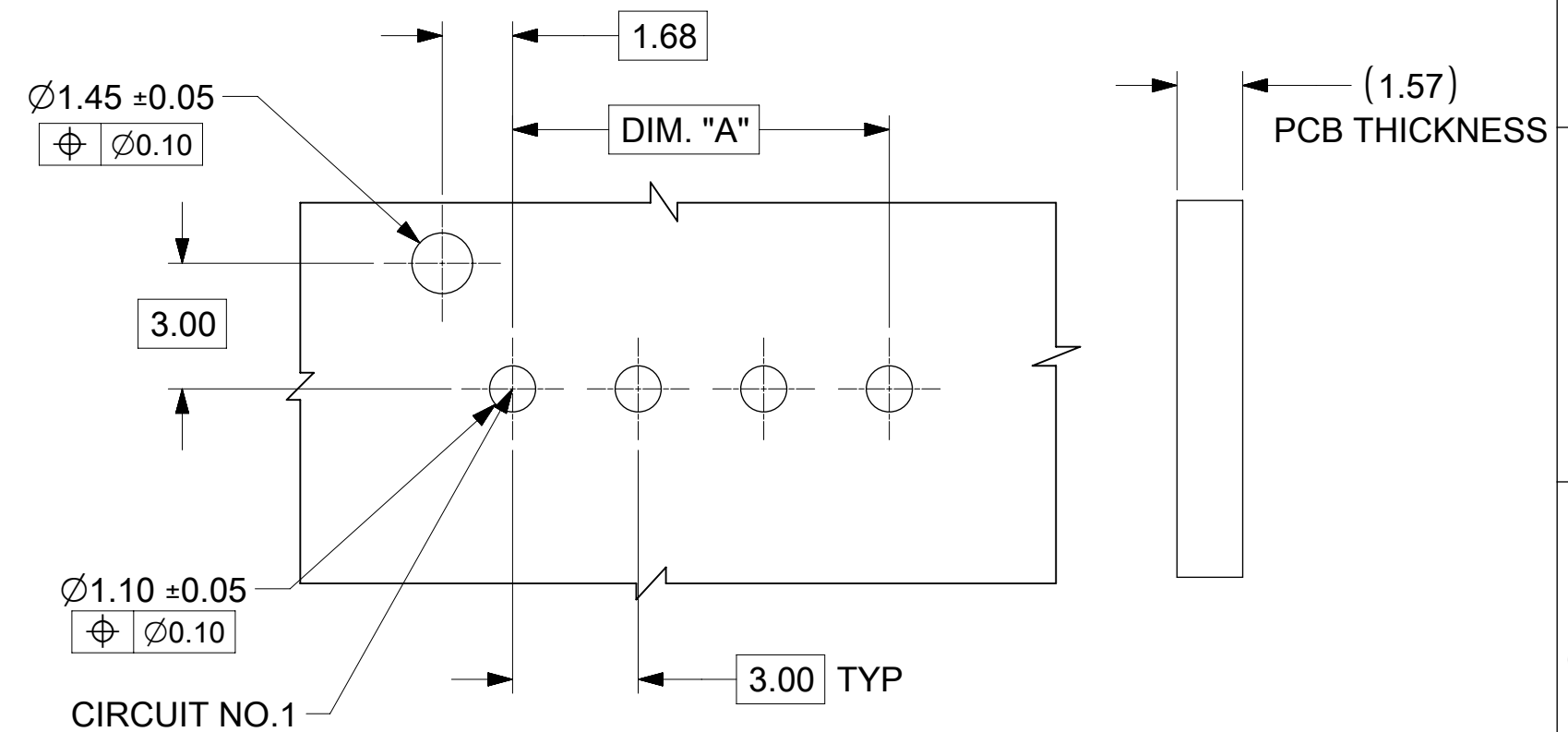
ISOMETRIC VIEW FOR  
3 & 4 CKT HEADER ASSEMBLY



ISOMETRIC VIEW FOR  
2 CKT HEADER ASSEMBLY



RECOMMENDED PCB HOLE LAYOUT  
FOR 2CKT HEADER ASSEMBLY FROM MATING SIDE



RECOMMENDED PCB HOLE LAYOUT  
FOR 3CKT & 4CKT HEADER ASSEMBLY FROM MATING SIDE

THIS DRAWING CONTAINS INFORMATION THAT IS PROPRIETARY TO MOLEX ELECTRONIC TECHNOLOGIES, LLC AND SHOULD NOT BE USED WITHOUT WRITTEN PERMISSION

DIMENSION UNITS		SCALE		CURRENT REV DESC:									
mm		8:1											
GENERAL TOLERANCES (UNLESS SPECIFIED)								HEADER ASSEMBLY FOR KK PLUS 300 WTB CONNECTOR SYSTEM					
ANGULAR TOL ± °								PRODUCT CUSTOMER DRAWING					
4 PLACES ±								EC NO: 707267					
3 PLACES ±								DRWN: SHRUTJ 2022/05/16					
2 PLACES ± 0.25								CHK'D: SHRUTJ 2022/05/18					
1 PLACE ± 0.3								APPR: ISHWARG 2022/05/19					
0 PLACES ±								INITIAL REVISION:					
DRAFT WHERE APPLICABLE MUST REMAIN WITHIN DIMENSIONS								DRWN: GSHARMA 2019/01/16					
THIRD ANGLE PROJECTION								APPR: ISHWARG 2020/05/22					
DRAWING		SERIES		MATERIAL NUMBER		CUSTOMER		DOC TYPE		DOC PART		REVISION	
C-SIZE		209208		SEE TABLE		GENERAL MARKET		PSD		000		A2	
DOCUMENT STATUS				RELEASE DATE				SHEET NUMBER					
P1				2022/05/19 05:54:25				2 OF 2					