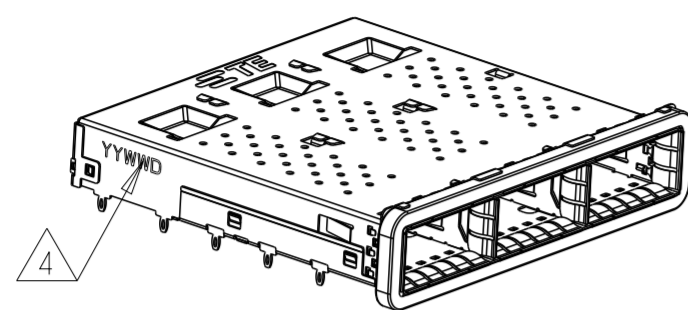
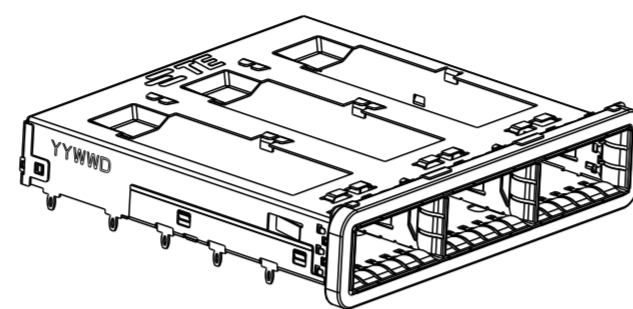


THIS DRAWING IS UNPUBLISHED. RELEASED FOR PUBLICATION 20  
 © COPYRIGHT 20 BY - ALL RIGHTS RESERVED.

LOC	DIST	REVISIONS					
GP	00	P	LTR	DESCRIPTION	DATE	DWN	APVD
		A		RELEASE	31DEC2015	JY	SH
		A1		REVISED PER ECN-22-163746	11JUL2022	IT	SZ

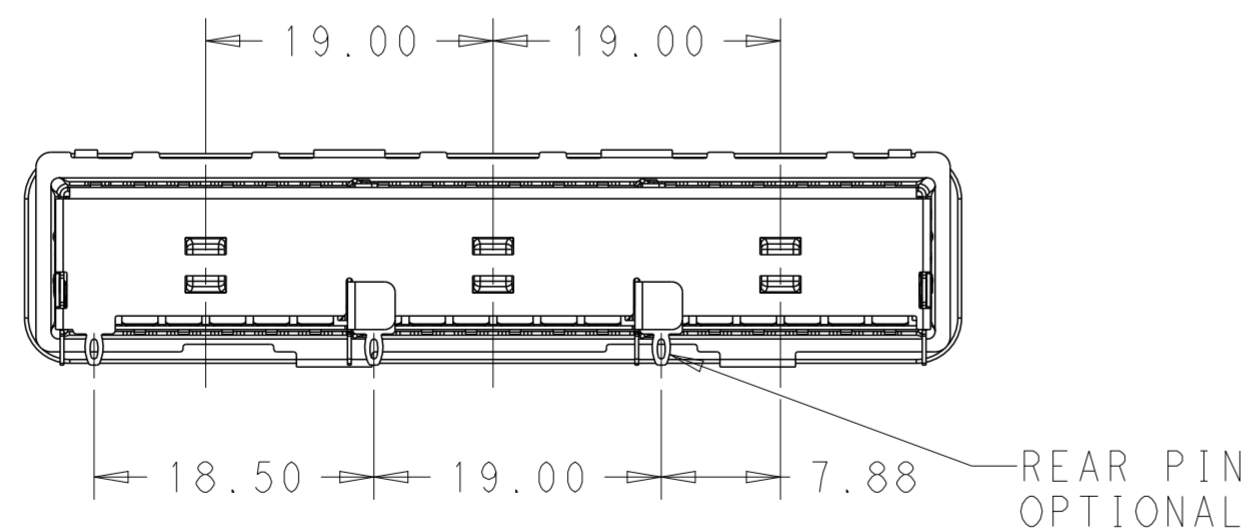
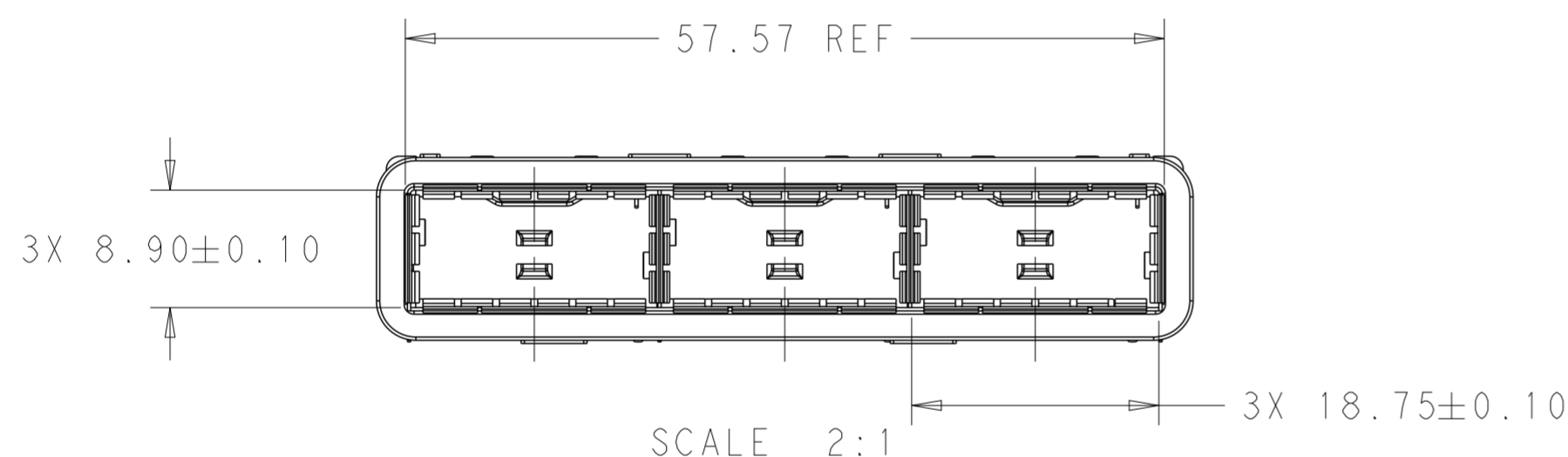


2170767-1 AS SHOWN

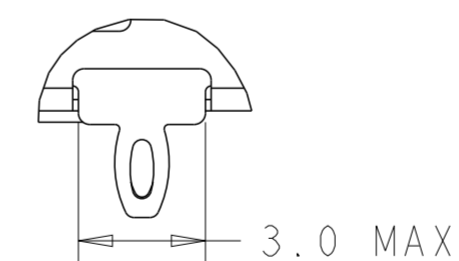
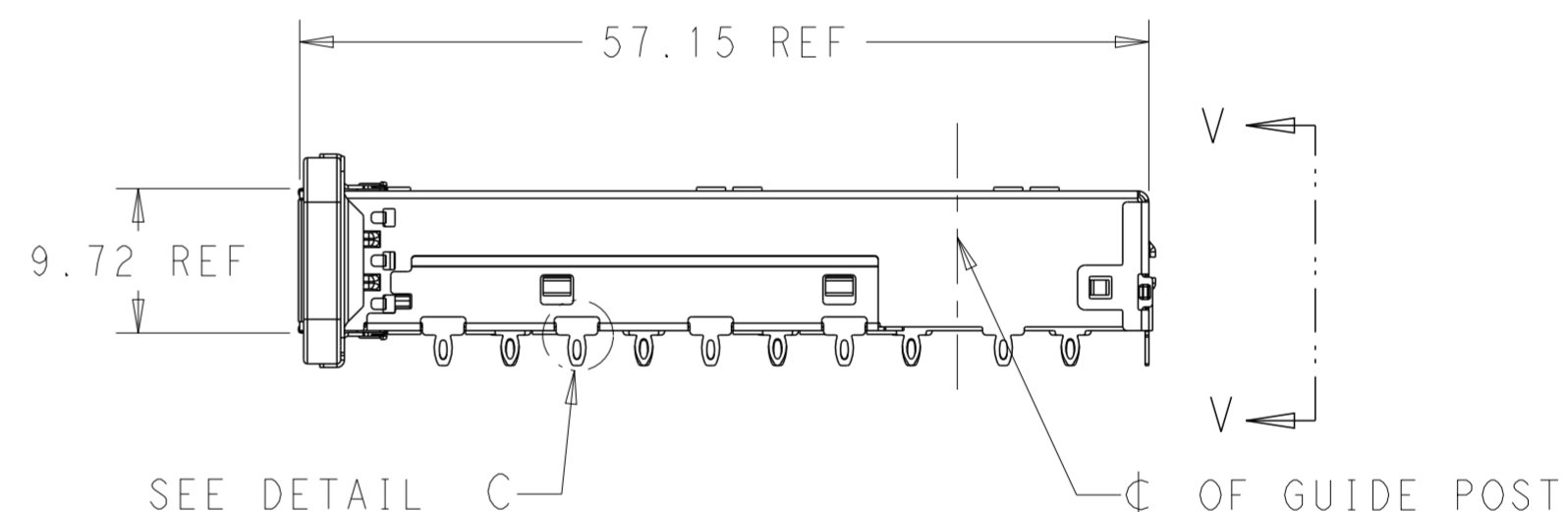


2170767-2 AS SHOWN

- COMPONENTS  
 CAGE ASSEMBLY: NICKEL-SILVER ALLOY  
 EMI GASKET: CONDUCTIVE RUBBER
- REFERENCE APPLICATION SPECIFICATION 114-32023 FOR RECOMMENDED DRILL HOLE DIAMETER AND PLATING THICKNESS
- DATUM AND BASIC DIMENSION ESTABLISHED BY CUSTOMER
- DATE CODE (YYWWD) MARKED APPROXIMATELY AS SHOWN.
- MATES WITH QSFP28 MSA COMPATIBLE TRANSCEIVER.
- MINIMUM PC BOARD THICKNESS:  
 SINGLE SIDED: 1.57 MIN  
 DOUBLE SIDED: 3.00 MIN
- DATUM **-A-** IS TOP SURFACE OF THE HOST BOARD.
- THESE HOLES ARE OPTIONAL WHEN THE REAR PINS ARE REMOVED.



VIEW V-V



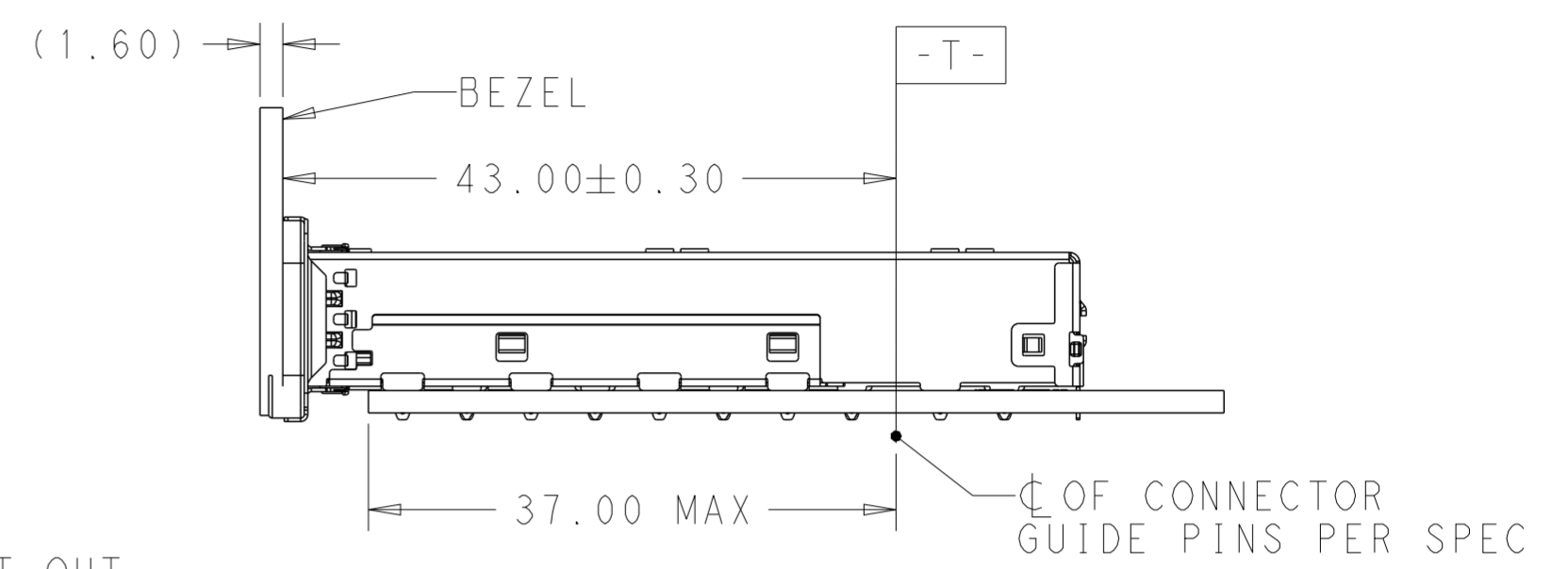
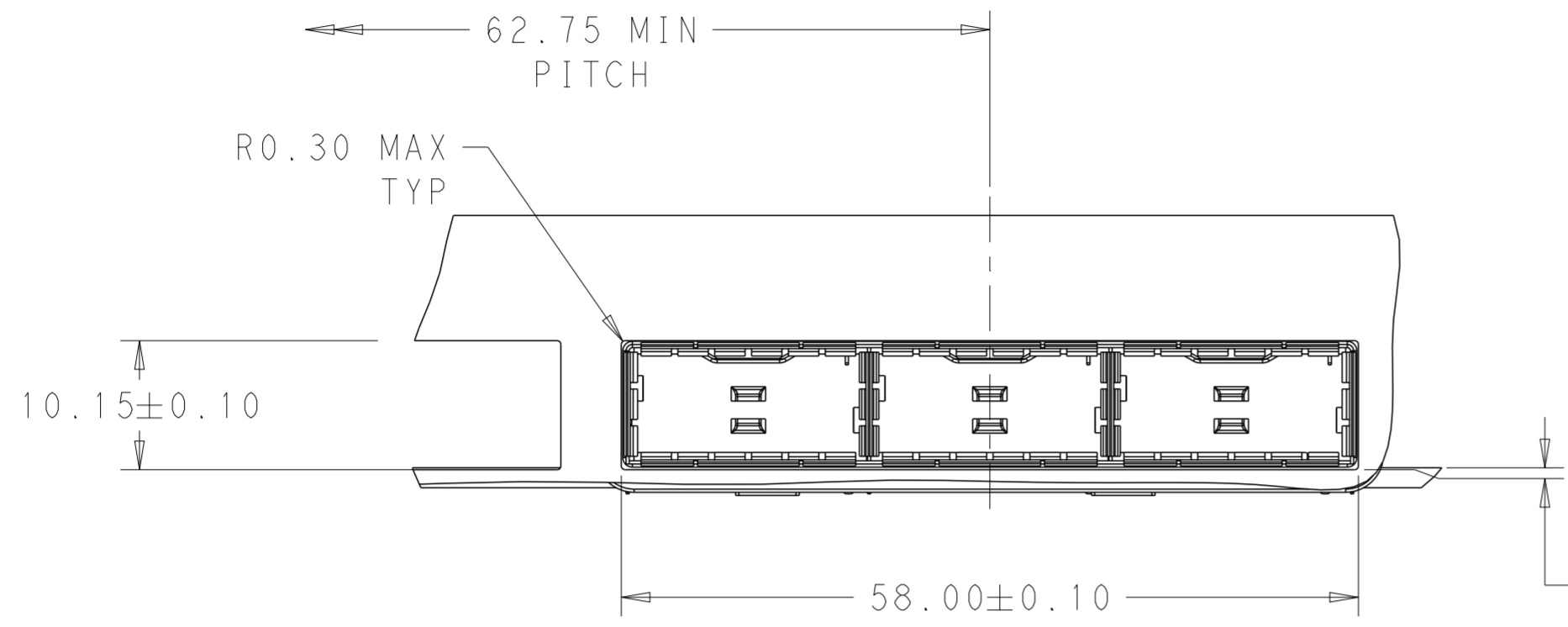
DETAIL C  
SCALE 6:1

WITHOUT	WITH	2170767-5
WITHOUT	WITHOUT	2170767-4
WITH	WITH	2170767-2
WITH	WITHOUT	2170767-1
REAR PIN OPTIONAL	HEAT SINK OPEN OPTIONAL	PART NUMBER

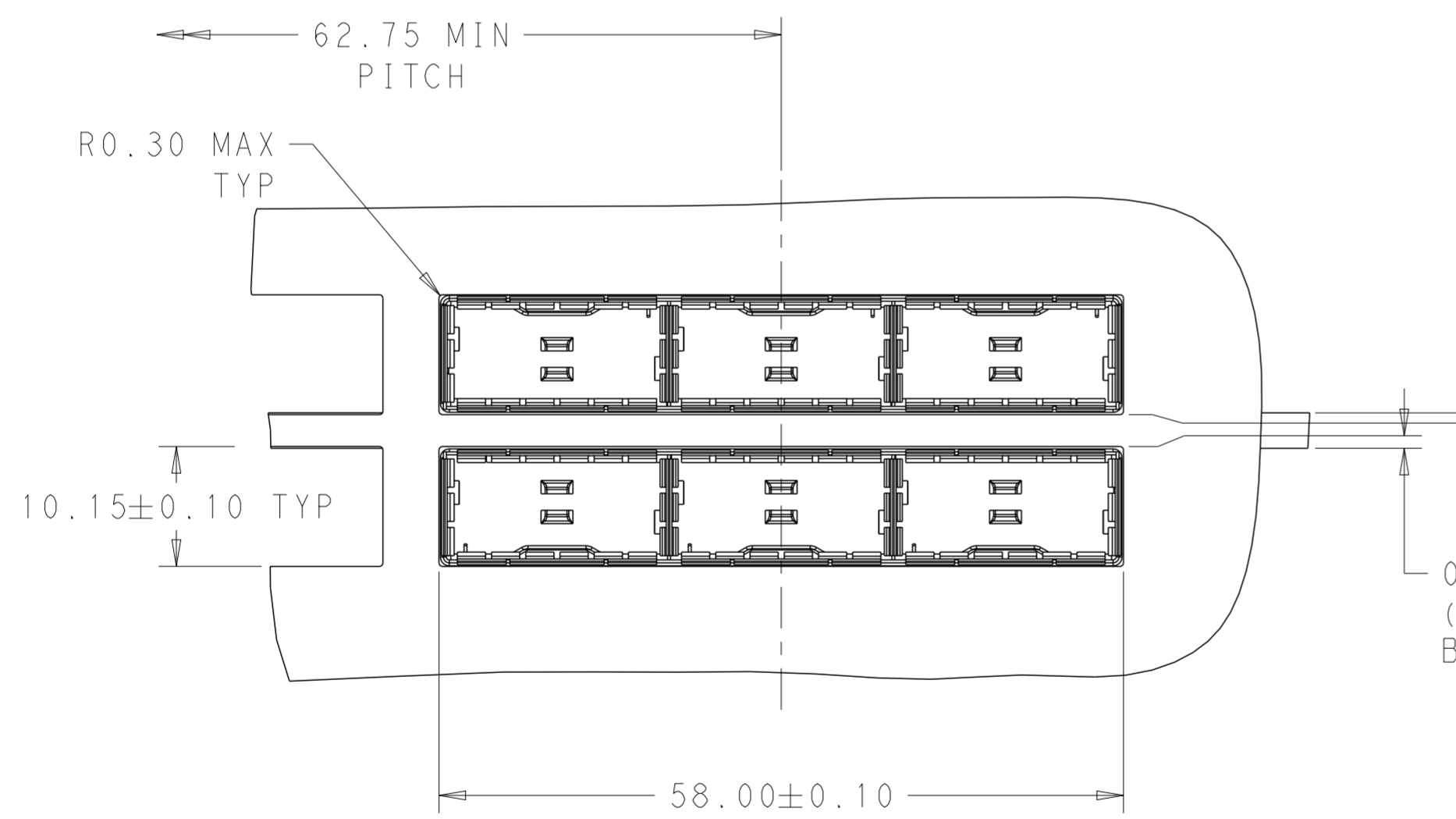
THIS DRAWING IS A CONTROLLED DOCUMENT.		DWN BING LIU 18APR2014	TE Connectivity	
DIMENSIONS: mm		CHK JASON YANG 18APR2014		
TOLERANCES UNLESS OTHERWISE SPECIFIED:		APVD SEAN HAN 31DEC2015	NAME RECEPTACLE CAGE ASSEMBLY THRU BEZEL, 1X3, QSFP28	
0 PLC ±		PRODUCT SPEC 108-19428	SIZE CAGE CODE DRAWING NO RESTRICTED TO	
1 PLC ±0.25		APPLICATION SPEC 114-32023	A200779 C-2170767	
2 PLC ±0.2		WEIGHT -	SCALE 1:1 SHEET 1 OF 5 REV A1	
3 PLC ±		CUSTOMER DRAWING		
4 PLC ±				
ANGLES ±				
FINISH ±				
SEE NOTES		SEE NOTES		

THIS DRAWING IS UNPUBLISHED. RELEASED FOR PUBLICATION 20  
 © COPYRIGHT 20 BY - ALL RIGHTS RESERVED.

LOC		DIST		REVISIONS			
P	LTR	DESCRIPTION		DATE	DWN	APVD	
rev_sym_1	16E6-8HBEI11			rev.date	rev.dwn	rev.appr	1
rev_sym_2	rev_desc_2			rev.date	rev.dwn	rev.appr	2
rev_sym_3	rev_desc_3			rev.date	rev.dwn	rev.appr	3
rev_sym_4	rev_desc_4			rev.date	rev.dwn	rev.appr	4

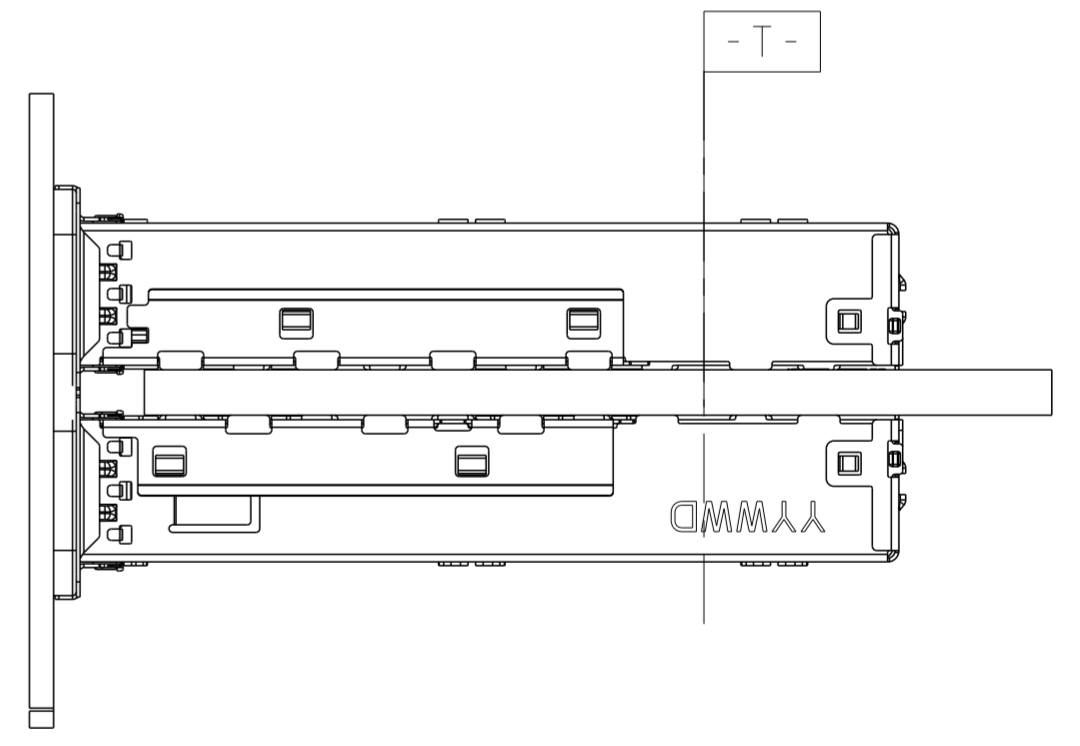


SINGLE SIDE MOUNTING  
SCALE 2:1



0.15±0.10 (BOTTOM OF CUT-OUT IN BEZEL TO TOP PCB)

0.15±0.10 (TOP OF CUT-OUT IN BEZEL TO BOTTOM PCB)

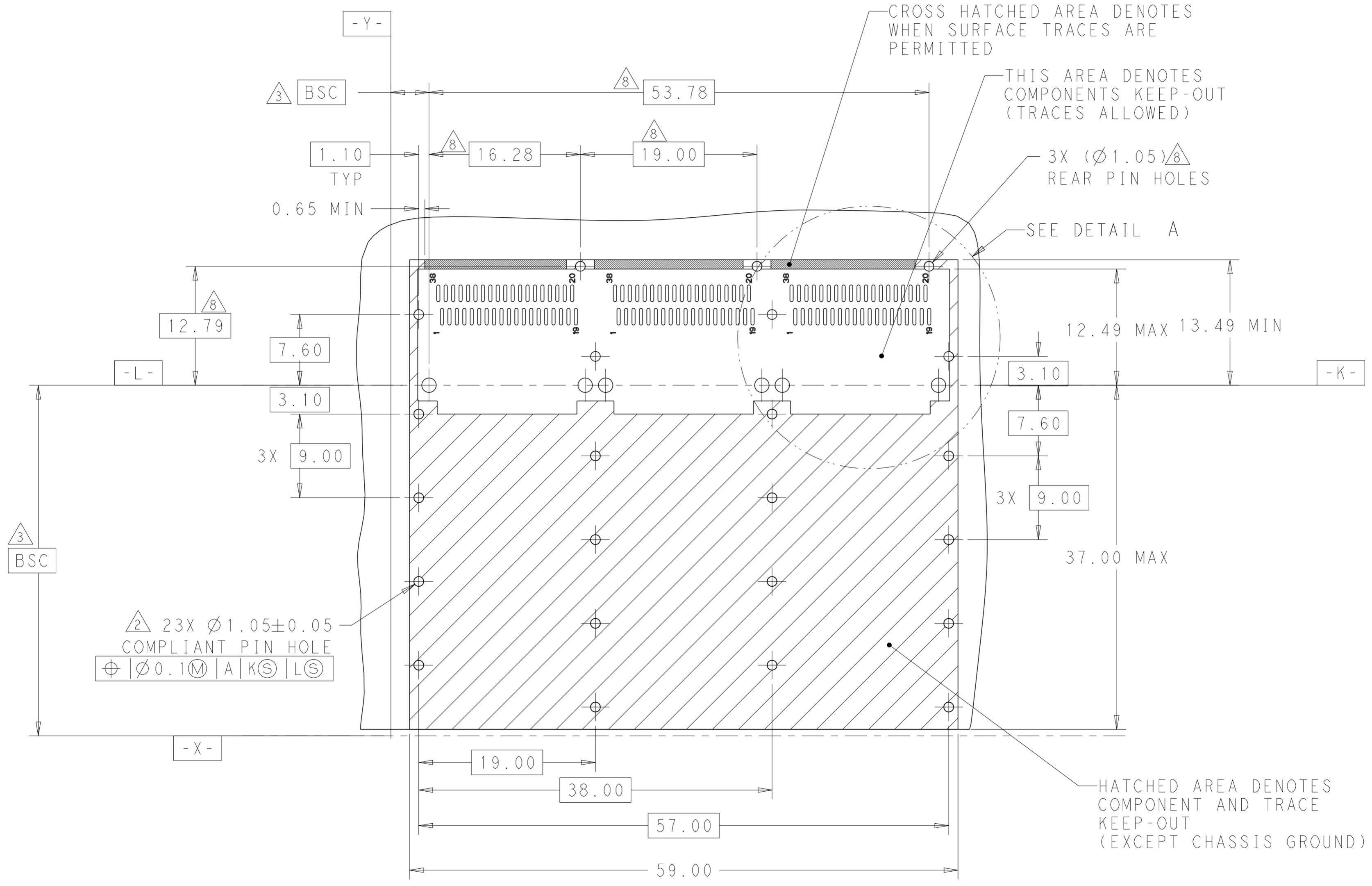


BELLY TO BELLY MOUNTING  
SCALE 2:1

THIS DRAWING IS A CONTROLLED DOCUMENT.		DWN BING LIU 18APR2014	<b>STE</b> TE Connectivity	
DIMENSIONS: mm		CHK JASON YANG 18APR2014		
TOLERANCES UNLESS OTHERWISE SPECIFIED:		APVD SEAN HAN 31DEC2015	NAME RECEPTACLE CAGE ASSEMBLY THRU BEZEL, 1X3, QSFP28	
0 PLC ±		PRODUCT SPEC 108-19428	SIZE CAGE CODE DRAWING NO RESTRICTED TO	
1 PLC ±0.25		APPLICATION SPEC 114-32023	A200779 C-2170767	
2 PLC ±0.2		WEIGHT -	SCALE 1:1 SHEET 2 OF 5 REV A1	
3 PLC ±		CUSTOMER DRAWING		
4 PLC ±				
ANGLES ±				
FINISH				
MATERIAL SEE NOTES material_2				
SEE NOTES finish_spec_2				

THIS DRAWING IS UNPUBLISHED. RELEASED FOR PUBLICATION 20  
 © COPYRIGHT 20 BY - ALL RIGHTS RESERVED.

LOC		DIST		REVISIONS			
P	LTR	DESCRIPTION	DATE	DWN	APVD		
rev_sym_1	16EE-8HBEI11		rev.date	rev.dwn	rev.appr	.1	
rev_sym_2	rev_desc_2		rev.date	rev.dwn	rev.appr	.2	
rev_sym_3	rev_desc_3		rev.date	rev.dwn	rev.appr	.3	
rev_sym_4	rev_desc_4		rev.date	rev.dwn	rev.appr	.4	



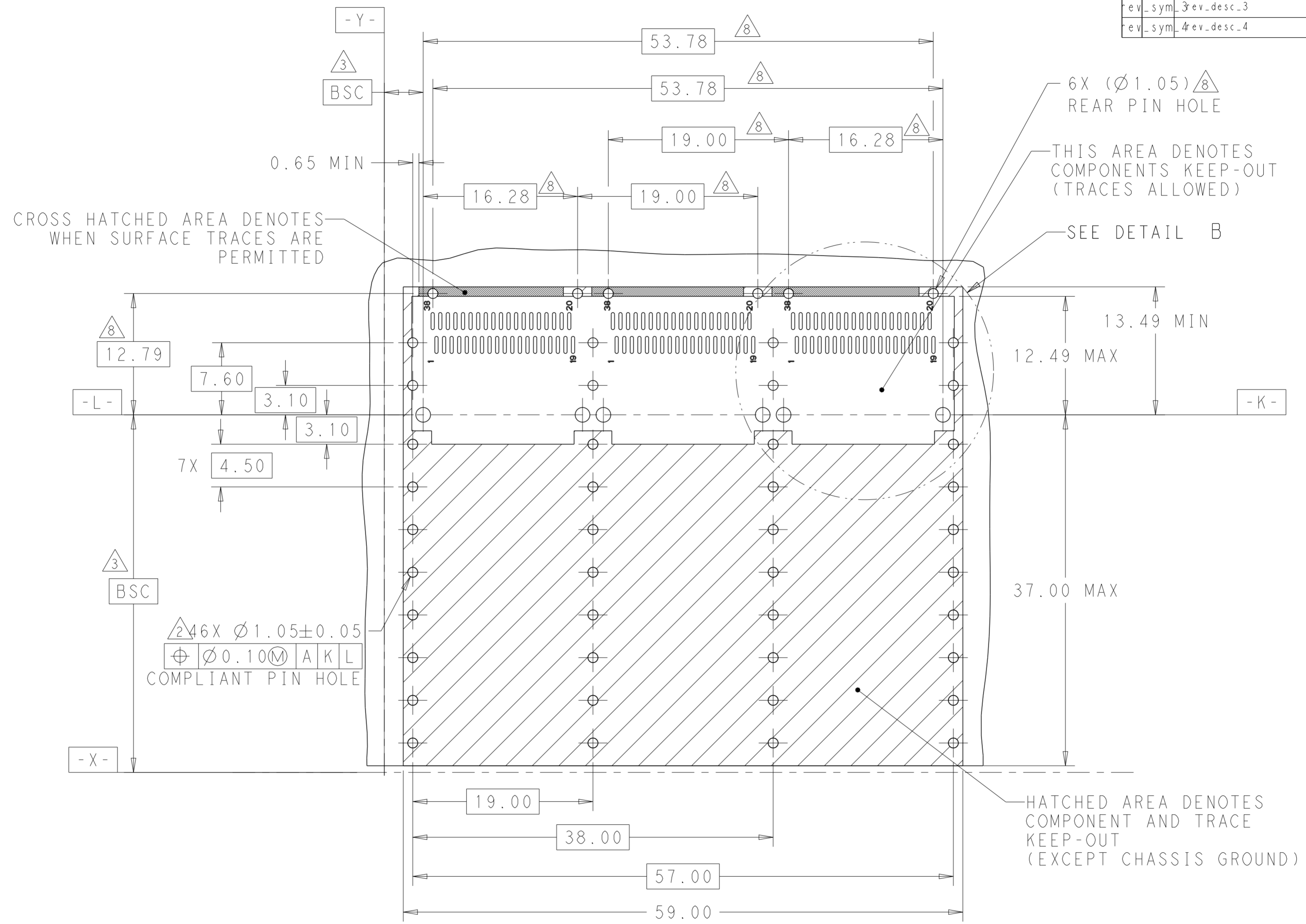
2 23X Ø1.05±0.05  
 COMPLIANT PIN HOLE  
 Ø0.1 M | A | K | S | L | S

RECOMMENDED PCB LAYOUT  
 SINGLE TYPE  
 PCB TOLERANCE: ±0.05  
 SCALE 3:1

THIS DRAWING IS A CONTROLLED DOCUMENT.		DWN BING LIU 18APR2014	TE Connectivity	
DIMENSIONS: mm		CHK JASON YANG 18APR2014		
TOLERANCES UNLESS OTHERWISE SPECIFIED:		APVD SEAN HAN 31DEC2015	NAME RECEPTACLE CAGE ASSEMBLY THRU BEZEL, 1X3, QSFP28	
0 PLC ±		PRODUCT SPEC 108-19428	SIZE CAGE CODE DRAWING NO RESTRICTED TO	
1 PLC ±0.25		APPLICATION SPEC 114-32023	A200779 C-2170767	
2 PLC ±0.2		WEIGHT -	SCALE 1:1 SHEET 3 OF 5 REV A1	
3 PLC ±		CUSTOMER DRAWING		
4 PLC ±				
ANGLES ±				
FINISH SEE NOTES				
MATERIAL SEE NOTES material_2				
finish_spec_2				

THIS DRAWING IS UNPUBLISHED. RELEASED FOR PUBLICATION 20  
 © COPYRIGHT 20 BY - ALL RIGHTS RESERVED.

LOC	DIST	REVISIONS			
P	LTR	DESCRIPTION	DATE	DWN	APVD
rev_sym_1	16E8HBEI11		rev.date	rev.dwn	rev.appr
rev_sym_2	rev_desc_2		rev.date	rev.dwn	rev.appr
rev_sym_3	rev_desc_3		rev.date	rev.dwn	rev.appr
rev_sym_4	rev_desc_4		rev.date	rev.dwn	rev.appr



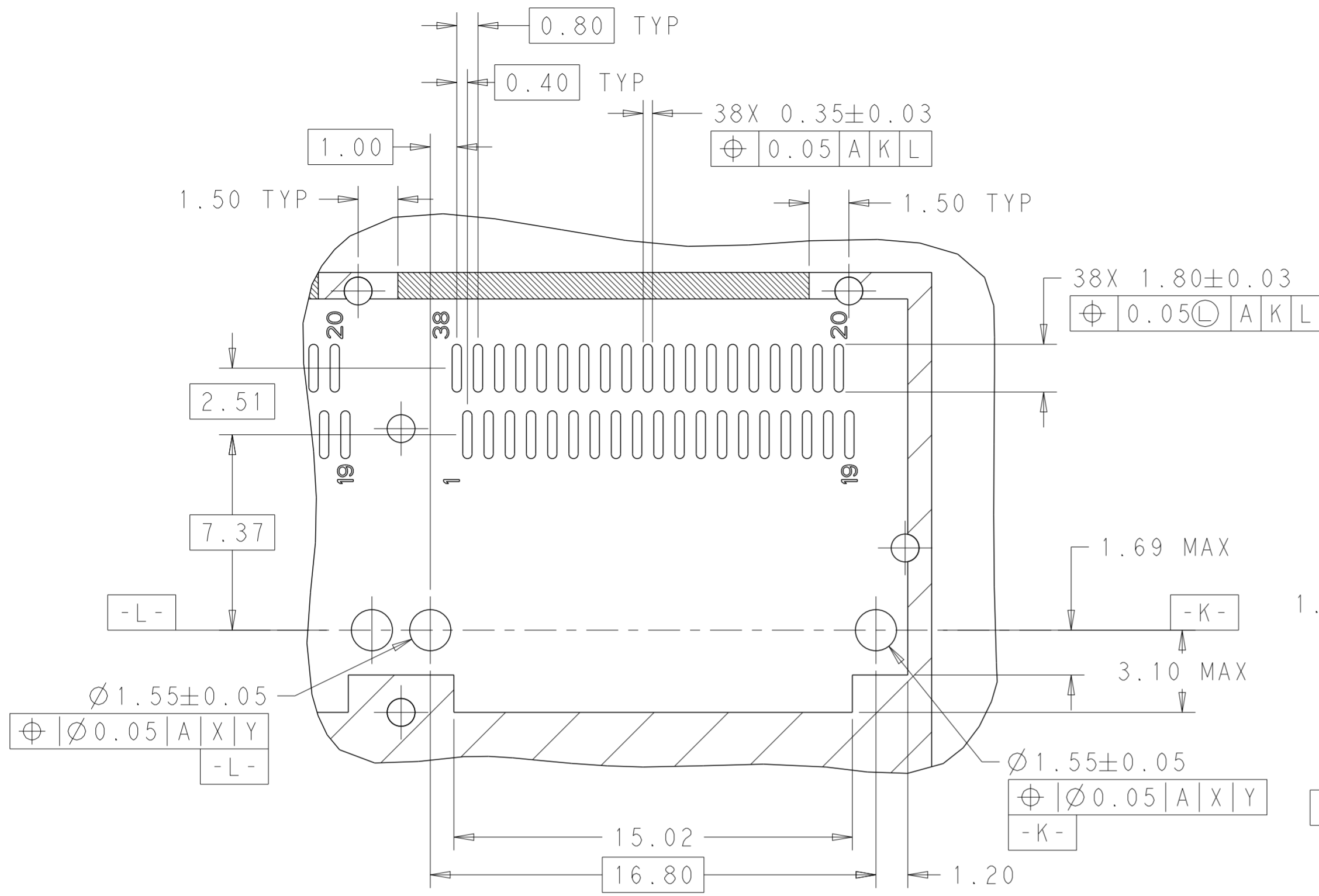
246X Ø1.05±0.05  
 Ø0.10 A K L  
 COMPLIANT PIN HOLE

RECOMMENDED PCB LAYOUT  
 BELLY TO BELLY TYPE  
 PCB TOLERANCE: ±0.05  
 SCALE 3:1

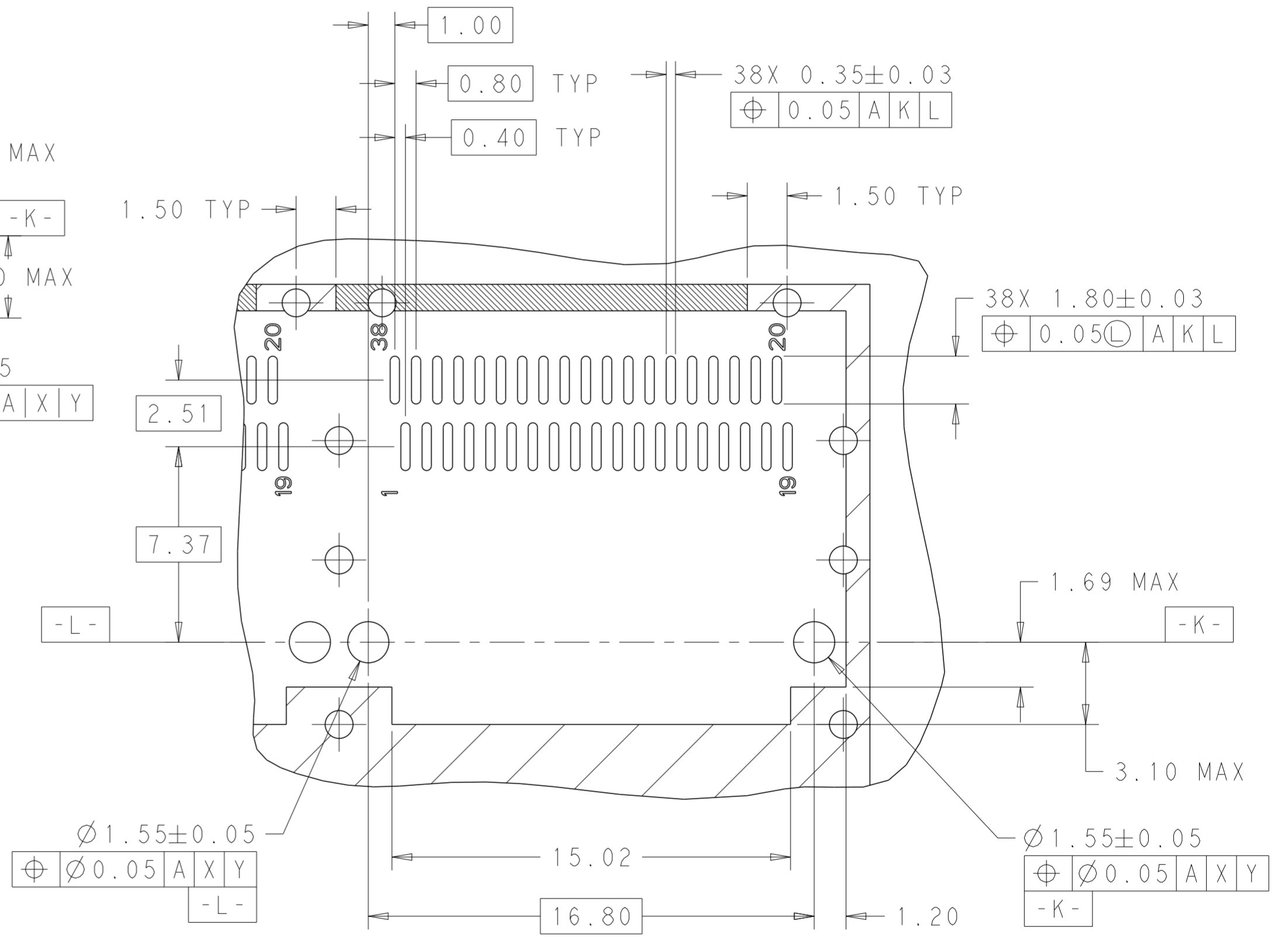
THIS DRAWING IS A CONTROLLED DOCUMENT.		DWN BING LIU 18APR2014	TE Connectivity		
DIMENSIONS: mm		CHK JASON YANG 18APR2014			
TOLERANCES UNLESS OTHERWISE SPECIFIED:		APVD SEAN HAN 31DEC2015	NAME RECEPTACLE CAGE ASSEMBLY THRU BEZEL, 1X3, QSFP28		
0 PLC ± 1 PLC ±0.25 2 PLC ±0.2 3 PLC ± 4 PLC ± ANGLES ±		PRODUCT SPEC 108-19428	SIZE A2	CAGE CODE 00779	DRAWING NO C-2170767
MATERIAL SEE NOTES material_2		FINISH SEE NOTES finish_spec_2	APPLICATION SPEC 114-32023	RESTRICTED TO -	SCALE 1:1
		WEIGHT -	CUSTOMER DRAWING	SHEET 4 OF 5	REV A1

THIS DRAWING IS UNPUBLISHED. RELEASED FOR PUBLICATION 20  
 © COPYRIGHT 20 BY - ALL RIGHTS RESERVED.

LOC	DIST	REVISIONS			
P	LTR	DESCRIPTION	DATE	DWN	APVD
rev_sym_1	16EE-8HBEI11		rev.date	rev.dwn	rev.appr
rev_sym_2	rev_desc_2		rev.date	rev.dwn	rev.appr
rev_sym_3	rev_desc_3		rev.date	rev.dwn	rev.appr
rev_sym_4	rev_desc_4		rev.date	rev.dwn	rev.appr



DETAIL A  
SCALE 6:1



DETAIL B  
SCALE 6:1

THIS DRAWING IS A CONTROLLED DOCUMENT.		DWN BING LIU 18APR2014	<b>STE</b> TE Connectivity	
		CHK JASON YANG 18APR2014		
DIMENSIONS: mm		APVD SEAN HAN 31DEC2015	NAME RECEPTACLE CAGE ASSEMBLY THRU BEZEL, 1X3, QSFP28	
TOLERANCES UNLESS OTHERWISE SPECIFIED: 0 PLC ± 1 PLC ±0.25 2 PLC ±0.2 3 PLC ± 4 PLC ± ANGLES ±		PRODUCT SPEC 108-19428	RESTRICTED TO	
MATERIAL SEE NOTES material_2		APPLICATION SPEC 114-32023	SIZE A2	CAGE CODE 00779
FINISH SEE NOTES finish_spec_2		WEIGHT -	DRAWING NO C-2170767	SCALE 1:1
		CUSTOMER DRAWING	SHEET 5 OF 5	REV A1