

USK series

85°C 3000時間 超小形化品  
Load Life : 85°C 3000 hours, Ultra Miniaturized



◆規格表/SPECIFICATIONS

| 項目 Item  | 特性 Characteristics   |            |                               |   |         |                              |  |          |                         |   |          |               |       |                   |      |      |      |      |      |      |      |
|--|--|------------|-------------------------------|---|---------|------------------------------|--|----------|-------------------------|---|----------|---------------|-------|-------------------|------|------|------|------|------|------|------|
| カテゴリ温度範囲<br>Category Temperature Range                                   | -40~+85°C  | -25~+85°C  |                               |   |         |                              |  |          |                         |   |          |               |       |                   |      |      |      |      |      |      |      |
| 定格電圧範囲<br>Rated Voltage Range  | 16~250Vdc  | 400~500Vdc |                               |   |         |                              |  |          |                         |   |          |               |       |                   |      |      |      |      |      |      |      |
| 静電容量許容差<br>Capacitance Tolerance   | ±20%(20°C, 120Hz)  |            |                               |   |         |                              |  |          |                         |   |          |               |       |                   |      |      |      |      |      |      |      |
| 漏れ電流<br>Leakage Current (MAX)  | $I=3\sqrt{CV}$ (定格電圧印加5分後)<br>$I=3\sqrt{CV}$ (After 5 minutes application of rated voltage)<br>I=漏れ電流(μA) C=静電容量(μF) V=定格電圧(Vdc)<br>Leakage Current Capacitance Rated Voltage  |            |                               |   |         |                              |  |          |                         |   |          |               |       |                   |      |      |      |      |      |      |      |
| 損失角の正接(tan δ)<br>Dissipation Factor (MAX)                                | <table border="1"> <tr> <td>定格電圧 (Vdc)<br/>Rated Voltage</td> <td>16</td> <td>25</td> <td>35</td> <td>50</td> <td>63</td> <td>80~100</td> <td>160~450</td> <td>475, 500</td> <td rowspan="2">(20°C, 120Hz)</td> </tr> <tr> <td>tan δ</td> <td>0.50</td> <td>0.45</td> <td>0.40</td> <td>0.35</td> <td>0.30</td> <td>0.25</td> <td>0.20</td> <td>0.25</td> </tr> </table>                                 |            | 定格電圧 (Vdc)<br>Rated Voltage   | 16  | 25      | 35                           | 50   | 63       | 80~100                  | 160~450                                     | 475, 500 | (20°C, 120Hz) | tan δ | 0.50              | 0.45 | 0.40 | 0.35 | 0.30 | 0.25 | 0.20 | 0.25 |
| 定格電圧 (Vdc)<br>Rated Voltage  | 16   | 25         | 35                            | 50  | 63      | 80~100                       | 160~450  | 475, 500 | (20°C, 120Hz)           |   |          |               |       |                   |      |      |      |      |      |      |      |
| tan δ  | 0.50   | 0.45       | 0.40                          | 0.35  | 0.30    | 0.25                         | 0.20   | 0.25     |                         |   |          |               |       |                   |      |      |      |      |      |      |      |
| 耐久性<br>Endurance   | 85°C中で3000時間定格電圧(リップル重畳)印加後、下記項目を満足すること。<br>After applying rated voltage with rated ripple current for 3000 hours at 85°C, the capacitors shall meet the following requirements.   |            |                               |   |         |                              |  |          |                         |   |          |               |       |                   |      |      |      |      |      |      |      |
|  | <table border="1"> <tr> <td>静電容量変化率<br/>Capacitance Change</td> <td colspan="2">初期値の ±20% 以内<br/>Within ±20% of the initial value.</td> </tr> <tr> <td>損失角の正接<br/>Dissipation Factor</td> <td colspan="2">規格値の 200% 以下<br/>Not more than 200% of the specified value.</td> </tr> <tr> <td>漏れ電流<br/>Leakage Current</td> <td colspan="2">規格値以下<br/>Not more than the specified value.</td> </tr> </table> |            | 静電容量変化率<br>Capacitance Change | 初期値の ±20% 以内<br>Within ±20% of the initial value. |         | 損失角の正接<br>Dissipation Factor | 規格値の 200% 以下<br>Not more than 200% of the specified value. |          | 漏れ電流<br>Leakage Current | 規格値以下<br>Not more than the specified value. |          |               |       |                   |      |      |      |      |      |      |      |
| 静電容量変化率<br>Capacitance Change  | 初期値の ±20% 以内<br>Within ±20% of the initial value.  |            |                               |   |         |                              |  |          |                         |   |          |               |       |                   |      |      |      |      |      |      |      |
| 損失角の正接<br>Dissipation Factor   | 規格値の 200% 以下<br>Not more than 200% of the specified value.   |            |                               |   |         |                              |  |          |                         |   |          |               |       |                   |      |      |      |      |      |      |      |
| 漏れ電流<br>Leakage Current  | 規格値以下<br>Not more than the specified value.  |            |                               |   |         |                              |  |          |                         |   |          |               |       |                   |      |      |      |      |      |      |      |
| 低温特性<br>Low Temperature Stability<br>(インピーダンス比)<br>Impedance Ratio (MAX) | <table border="1"> <tr> <td>定格電圧 (Vdc)<br/>Rated Voltage</td> <td>16~100</td> <td>160~250</td> <td>400~450</td> <td>475, 500</td> <td rowspan="3">(120Hz)</td> </tr> <tr> <td>Z(-25°C)/Z(+20°C)</td> <td>3</td> <td>4</td> <td>8</td> <td>10</td> </tr> <tr> <td>Z(-40°C)/Z(+20°C)</td> <td>12</td> <td>12</td> <td>-</td> <td>-</td> </tr> </table>   |            | 定格電圧 (Vdc)<br>Rated Voltage   | 16~100  | 160~250 | 400~450                      | 475, 500   | (120Hz)  | Z(-25°C)/Z(+20°C)       | 3   | 4        | 8             | 10    | Z(-40°C)/Z(+20°C) | 12   | 12   | -    | -    |      |      |      |
| 定格電圧 (Vdc)<br>Rated Voltage  | 16~100   | 160~250    | 400~450                       | 475, 500  | (120Hz) |                              |  |          |                         |   |          |               |       |                   |      |      |      |      |      |      |      |
| Z(-25°C)/Z(+20°C)  | 3  | 4          | 8                             | 10  |         |                              |  |          |                         |   |          |               |       |                   |      |      |      |      |      |      |      |
| Z(-40°C)/Z(+20°C)  | 12   | 12         | -                             | -   |         |                              |  |          |                         |   |          |               |       |                   |      |      |      |      |      |      |      |

◆呼称方法/PART NUMBER

USK  M   D x L  
 定格電圧 シリーズ名 静電容量 静電容量許容差 副記号 端子記号 ケースサイズ  
 Rated Voltage Series Capacitance Capacitance Tolerance Option Terminal Code Case Size

◆リップル電流補正係数/  
MULTIPLIER FOR RIPPLE CURRENT

| 周波数 (Hz)<br>Frequency | 60<br>(50) | 120<br>(100) | 300  | 500  | 1k   | 10k ≤ |
|-----------------------|------------|--------------|------|------|------|-------|
| 16~100Vdc             | 0.90       | 1.00         | 1.03 | 1.05 | 1.10 | 1.15  |
| 160~250Vdc            | 0.80       | 1.00         | 1.15 | 1.20 | 1.30 | 1.50  |
| 400~500Vdc            | 0.80       | 1.00         | 1.15 | 1.20 | 1.25 | 1.40  |

◆副記号/OPTION

EFC : PET スリーブ、底板なし  
PET Sleeve without plate

◆端子記号/Terminal Code

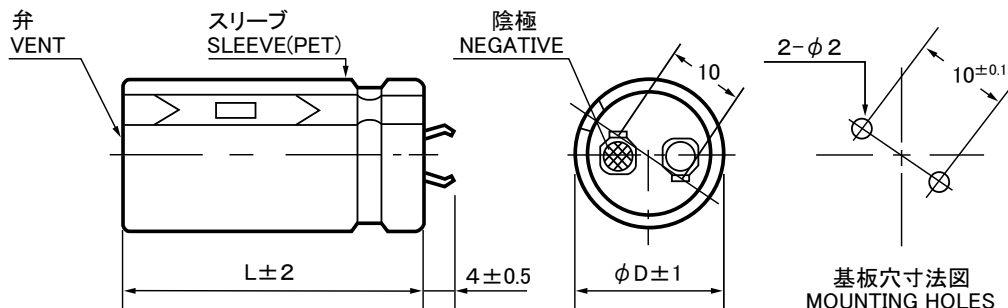
SN : 標準端子 Standard Terminal  
その他の形状は端子形状一覧をご確認ください。  
For other type, please refer to the list of terminal type.

◆寸法図/DIMENSIONS

●SN[4mm]端子タイプ  
SN[4mm]terminal type

端子記号 : SN(錫メッキ)  
Terminal code : SN(Tin plating)

(mm)



◆標準品一覧表/STANDARD SIZE

| Cap.<br>( $\mu$ F) | 16Vdc     |      |           |      |           |       | 25Vdc     |      |           |      |           |      |           |       |           |       |
|--------------------|-----------|------|-----------|------|-----------|-------|-----------|------|-----------|------|-----------|------|-----------|-------|-----------|-------|
|                    | $\phi$ 22 |      | $\phi$ 25 |      | $\phi$ 30 |       | $\phi$ 35 |      | $\phi$ 22 |      | $\phi$ 25 |      | $\phi$ 30 |       | $\phi$ 35 |       |
| 10000              |           |      |           |      |           |       |           |      | 22x25     | 4.09 |           |      |           |       |           |       |
| 12000              |           |      |           |      |           |       |           |      | 22x30     | 4.82 | 25x25     | 4.16 |           |       |           |       |
| 15000              | 22x25     | 4.12 |           |      |           |       |           |      | 22x35     | 5.43 | 25x30     | 4.88 |           |       |           |       |
| 18000              | 22x30     | 4.86 | 25x25     | 4.15 |           |       |           |      | 22x40     | 5.98 | 25x30     | 4.70 |           |       |           |       |
| 22000              | 22x35     | 5.48 | 25x30     | 4.90 |           |       |           |      | 22x45     | 6.47 | 25x35     | 5.32 | 30x30     | 7.36  |           |       |
| 27000              | 22x40     | 6.02 | 25x30     | 4.69 |           |       |           |      | 22x50     | 6.88 | 25x40     | 5.83 | 30x30     | 7.21  |           |       |
| 33000              | 22x45     | 6.50 | 25x35     | 5.29 | 30x30     | 7.43  |           |      | 22x60     | 7.75 | 25x50     | 6.91 | 30x35     | 8.11  | 35x30     | 7.19  |
| 39000              | 22x50     | 6.94 | 25x40     | 5.85 | 30x30     | 7.30  |           |      |           |      | 25x55     | 7.28 | 30x40     | 8.91  | 35x35     | 8.16  |
| 47000              | 22x60     | 7.83 | 25x50     | 6.97 | 30x35     | 8.20  | 35x30     | 7.25 |           |      |           |      | 30x45     | 9.62  | 35x40     | 8.95  |
| 56000              |           |      | 25x55     | 7.32 | 30x40     | 9.00  | 35x35     | 8.22 |           |      |           |      | 30x55     | 10.95 | 35x45     | 9.64  |
| 68000              |           |      |           |      | 30x50     | 10.49 | 35x40     | 9.00 |           |      |           |      |           |       | 35x50     | 10.18 |
| 82000              |           |      |           |      | 30x55     | 11.02 | 35x45     | 9.66 |           |      |           |      |           |       | 35x60     | 11.43 |

| Cap.<br>( $\mu$ F) | 35Vdc     |      |           |      |           |       | 50Vdc     |       |           |      |           |      |           |      |           |       |
|--------------------|-----------|------|-----------|------|-----------|-------|-----------|-------|-----------|------|-----------|------|-----------|------|-----------|-------|
|                    | $\phi$ 22 |      | $\phi$ 25 |      | $\phi$ 30 |       | $\phi$ 35 |       | $\phi$ 22 |      | $\phi$ 25 |      | $\phi$ 30 |      | $\phi$ 35 |       |
| 3900               |           |      |           |      |           |       |           |       | 22x25     | 3.52 |           |      |           |      |           |       |
| 4700               |           |      |           |      |           |       |           |       | 22x30     | 4.12 | 25x25     | 3.63 |           |      |           |       |
| 5600               |           |      |           |      |           |       |           |       | 22x35     | 4.67 | 25x30     | 4.28 |           |      |           |       |
| 6800               | 22x25     | 3.99 |           |      |           |       |           |       | 22x40     | 5.18 | 25x30     | 4.18 | 30x25     | 5.40 |           |       |
| 8200               | 22x30     | 4.69 | 25x25     | 4.05 |           |       |           |       | 22x45     | 5.65 | 25x35     | 4.75 | 30x30     | 6.28 |           |       |
| 10000              | 22x35     | 5.29 | 25x30     | 4.77 |           |       |           |       | 22x50     | 6.09 | 25x40     | 5.25 | 30x30     | 6.30 | 35x25     | 5.43  |
| 12000              | 22x40     | 5.84 | 25x30     | 4.60 |           |       |           |       | 22x60     | 6.90 | 25x45     | 5.69 | 30x35     | 7.11 | 35x30     | 6.43  |
| 15000              | 22x45     | 6.31 | 25x35     | 5.19 | 30x30     | 7.16  |           |       |           |      | 25x55     | 6.57 | 30x40     | 7.83 | 35x35     | 7.25  |
| 18000              | 22x50     | 6.77 | 25x40     | 5.73 | 30x35     | 8.06  |           |       |           |      |           |      | 30x50     | 9.14 | 35x40     | 8.00  |
| 22000              | 22x60     | 7.61 | 25x50     | 6.79 | 30x35     | 7.95  | 35x30     | 7.05  |           |      |           |      | 30x55     | 9.71 | 35x45     | 8.63  |
| 27000              |           |      | 25x60     | 7.65 | 30x45     | 9.53  | 35x35     | 7.94  |           |      |           |      |           |      | 35x50     | 9.18  |
| 33000              |           |      |           |      | 30x50     | 10.14 | 35x40     | 8.70  |           |      |           |      |           |      | 35x60     | 10.32 |
| 39000              |           |      |           |      | 30x55     | 10.72 | 35x45     | 9.39  |           |      |           |      |           |      |           |       |
| 47000              |           |      |           |      |           |       | 35x50     | 9.99  |           |      |           |      |           |      |           |       |
| 56000              |           |      |           |      |           |       | 35x60     | 11.20 |           |      |           |      |           |      |           |       |

| Cap.<br>( $\mu$ F) | 63Vdc     |      |           |      |           |      | 80Vdc     |      |           |      |           |      |           |      |           |      |
|--------------------|-----------|------|-----------|------|-----------|------|-----------|------|-----------|------|-----------|------|-----------|------|-----------|------|
|                    | $\phi$ 22 |      | $\phi$ 25 |      | $\phi$ 30 |      | $\phi$ 35 |      | $\phi$ 22 |      | $\phi$ 25 |      | $\phi$ 30 |      | $\phi$ 35 |      |
| 1800               |           |      |           |      |           |      |           |      | 22x25     | 3.09 |           |      |           |      |           |      |
| 2200               |           |      |           |      |           |      |           |      | 22x30     | 3.60 |           |      |           |      |           |      |
| 2700               | 22x25     | 3.24 |           |      |           |      |           |      | 22x30     | 3.69 | 25x25     | 3.29 |           |      |           |      |
| 3300               | 22x30     | 3.78 |           |      |           |      |           |      | 22x35     | 4.19 | 25x30     | 3.87 |           |      |           |      |
| 3900               | 22x30     | 3.82 | 25x25     | 3.38 |           |      |           |      | 22x40     | 4.65 | 25x35     | 4.39 | 30x25     | 4.82 |           |      |
| 4700               | 22x35     | 4.34 | 25x30     | 3.98 |           |      |           |      | 22x45     | 5.11 | 25x40     | 4.87 | 30x30     | 5.59 | 35x25     | 5.03 |
| 5600               | 22x40     | 4.82 | 25x35     | 4.52 | 30x25     | 5.00 |           |      | 22x55     | 5.88 | 25x45     | 5.32 | 30x35     | 6.30 | 35x30     | 5.89 |
| 6800               | 22x45     | 5.28 | 25x40     | 5.01 | 30x30     | 5.82 | 35x25     | 5.18 | 22x60     | 6.29 | 25x50     | 5.73 | 30x40     | 6.99 | 35x30     | 5.88 |
| 8200               | 22x55     | 6.08 | 25x45     | 5.46 | 30x35     | 6.56 | 35x30     | 6.08 |           |      | 25x55     | 6.12 | 30x45     | 7.65 | 35x35     | 6.66 |
| 10000              |           |      | 25x50     | 5.86 | 30x40     | 7.27 | 35x30     | 6.01 |           |      |           |      | 30x50     | 8.28 | 35x40     | 7.36 |
| 12000              |           |      | 25x60     | 6.66 | 30x45     | 7.93 | 35x35     | 6.82 |           |      |           |      | 30x60     | 9.32 | 35x45     | 7.99 |
| 15000              |           |      |           |      | 30x50     | 8.57 | 35x40     | 7.51 |           |      |           |      |           |      | 35x55     | 9.17 |
| 18000              |           |      |           |      | 30x60     | 9.64 | 35x50     | 8.84 |           |      |           |      |           |      |           |      |
| 22000              |           |      |           |      |           |      | 35x55     | 9.36 |           |      |           |      |           |      |           |      |

ケースサイズ Case Size  $\phi$ D×L(mm)  $\rightarrow$   
リップル電流 Ripple Current (A.r.m.s./120Hz,85°C)  $\rightarrow$

◆標準品一覧表 / STANDARD SIZE

| Cap.<br>( $\mu$ F) | 100Vdc    |      |           |      |           |      |           |      | 160Vdc    |      |           |      |           |      |           |      |
|--------------------|-----------|------|-----------|------|-----------|------|-----------|------|-----------|------|-----------|------|-----------|------|-----------|------|
|                    | $\phi$ 22 |      | $\phi$ 25 |      | $\phi$ 30 |      | $\phi$ 35 |      | $\phi$ 22 |      | $\phi$ 25 |      | $\phi$ 30 |      | $\phi$ 35 |      |
| 560                |           |      |           |      |           |      |           |      | 22x25     | 2.20 |           |      |           |      |           |      |
| 680                |           |      |           |      |           |      |           |      | 22x30     | 2.56 |           |      |           |      |           |      |
| 820                |           |      |           |      |           |      |           |      | 22x35     | 2.94 | 25x25     | 2.47 |           |      |           |      |
| 1000               |           |      |           |      |           |      |           |      | 22x35     | 3.07 | 25x30     | 2.90 |           |      |           |      |
| 1200               | 22x25     | 2.91 |           |      |           |      |           |      | 22x45     | 3.70 | 25x35     | 3.32 | 30x25     | 2.64 |           |      |
| 1500               | 22x30     | 3.40 |           |      |           |      |           |      | 22x50     | 4.14 | 25x40     | 3.75 | 30x30     | 3.12 | 35x25     | 2.63 |
| 1800               | 22x30     | 3.49 | 25x25     | 3.14 |           |      |           |      | 22x60     | 4.76 | 25x45     | 4.16 | 30x35     | 3.58 | 35x30     | 3.16 |
| 2200               | 22x35     | 3.97 | 25x30     | 3.69 |           |      |           |      |           |      | 25x55     | 4.87 | 30x40     | 4.00 | 35x35     | 3.63 |
| 2700               | 22x40     | 4.43 | 25x35     | 4.18 | 30x25     | 4.57 |           |      |           |      |           |      | 30x45     | 4.42 | 35x40     | 4.04 |
| 3300               | 22x50     | 5.20 | 25x40     | 4.65 | 30x30     | 5.31 | 35x25     | 4.79 |           |      |           |      | 30x55     | 5.18 | 35x45     | 4.41 |
| 3900               | 22x55     | 5.61 | 25x45     | 5.08 | 30x35     | 5.98 | 35x30     | 5.60 |           |      |           |      | 30x60     | 5.58 | 35x50     | 4.77 |
| 4700               |           |      | 25x50     | 5.50 | 30x40     | 6.64 | 35x30     | 5.63 |           |      |           |      |           |      | 35x55     | 5.13 |
| 5600               |           |      | 25x60     | 6.24 | 30x45     | 7.27 | 35x35     | 6.37 |           |      |           |      |           |      |           |      |
| 6800               |           |      |           |      | 30x50     | 7.89 | 35x40     | 7.05 |           |      |           |      |           |      |           |      |
| 8200               |           |      |           |      | 30x60     | 8.90 | 35x50     | 8.26 |           |      |           |      |           |      |           |      |
| 10000              |           |      |           |      |           |      | 35x55     | 8.81 |           |      |           |      |           |      |           |      |

| Cap.<br>( $\mu$ F) | 180Vdc    |      |           |      |           |      |           |      | 200Vdc    |      |           |      |           |      |           |      |
|--------------------|-----------|------|-----------|------|-----------|------|-----------|------|-----------|------|-----------|------|-----------|------|-----------|------|
|                    | $\phi$ 22 |      | $\phi$ 25 |      | $\phi$ 30 |      | $\phi$ 35 |      | $\phi$ 22 |      | $\phi$ 25 |      | $\phi$ 30 |      | $\phi$ 35 |      |
| 470                |           |      |           |      |           |      |           |      | 22x25     | 2.12 |           |      |           |      |           |      |
| 560                | 22x25     | 2.20 |           |      |           |      |           |      | 22x30     | 2.45 | 25x25     | 2.31 |           |      |           |      |
| 680                | 22x30     | 2.57 | 25x25     | 2.40 |           |      |           |      | 22x35     | 2.81 | 25x30     | 2.68 |           |      |           |      |
| 820                | 22x35     | 2.93 | 25x30     | 2.78 |           |      |           |      | 22x40     | 3.17 | 25x30     | 2.80 | 30x25     | 2.57 |           |      |
| 1000               | 22x40     | 3.32 | 25x30     | 2.91 | 30x25     | 2.65 |           |      | 22x45     | 3.56 | 25x35     | 3.21 | 30x30     | 2.90 |           |      |
| 1200               | 22x45     | 3.71 | 25x35     | 3.32 | 30x30     | 2.99 |           |      | 22x50     | 3.94 | 25x40     | 3.61 | 30x30     | 3.04 | 35x25     | 2.59 |
| 1500               | 22x55     | 4.36 | 25x40     | 3.76 | 30x30     | 3.13 | 35x25     | 2.63 | 22x60     | 4.58 | 25x50     | 4.30 | 30x35     | 3.49 | 35x30     | 3.09 |
| 1800               | 22x60     | 4.77 | 25x50     | 4.46 | 30x35     | 3.57 | 35x30     | 3.15 |           |      | 25x55     | 4.71 | 30x40     | 3.91 | 35x35     | 3.55 |
| 2200               |           |      | 25x55     | 4.89 | 30x40     | 4.02 | 35x35     | 3.61 |           |      |           |      | 30x50     | 4.69 | 35x40     | 3.96 |
| 2700               |           |      |           |      | 30x50     | 4.81 | 35x40     | 4.03 |           |      |           |      | 30x55     | 5.08 | 35x45     | 4.33 |
| 3300               |           |      |           |      | 30x55     | 5.21 | 35x45     | 4.39 |           |      |           |      |           |      | 35x55     | 5.11 |
| 3900               |           |      |           |      |           |      | 35x50     | 4.79 |           |      |           |      |           |      | 35x60     | 5.42 |
| 4700               |           |      |           |      |           |      | 35x60     | 5.52 |           |      |           |      |           |      |           |      |

| Cap.<br>( $\mu$ F) | 220Vdc    |      |           |      |           |      |           |      | 250Vdc    |      |           |      |           |      |           |      |
|--------------------|-----------|------|-----------|------|-----------|------|-----------|------|-----------|------|-----------|------|-----------|------|-----------|------|
|                    | $\phi$ 22 |      | $\phi$ 25 |      | $\phi$ 30 |      | $\phi$ 35 |      | $\phi$ 22 |      | $\phi$ 25 |      | $\phi$ 30 |      | $\phi$ 35 |      |
| 390                |           |      |           |      |           |      |           |      | 22x25     | 2.02 |           |      |           |      |           |      |
| 470                | 22x25     | 2.12 |           |      |           |      |           |      | 22x30     | 2.35 | 25x25     | 2.22 |           |      |           |      |
| 560                | 22x30     | 2.46 | 25x25     | 2.31 |           |      |           |      | 22x35     | 2.68 | 25x30     | 2.57 |           |      |           |      |
| 680                | 22x35     | 2.81 | 25x30     | 2.70 |           |      |           |      | 22x40     | 3.03 | 25x30     | 2.69 | 30x25     | 2.48 |           |      |
| 820                | 22x40     | 3.18 | 25x35     | 3.06 | 30x25     | 2.56 |           |      | 22x45     | 3.39 | 25x35     | 3.08 | 30x30     | 2.85 |           |      |
| 1000               | 22x45     | 3.56 | 25x35     | 3.21 | 30x30     | 2.95 |           |      | 22x55     | 3.95 | 25x40     | 3.47 | 30x30     | 2.96 | 35x25     | 2.53 |
| 1200               | 22x55     | 4.14 | 25x45     | 3.87 | 30x30     | 3.04 | 35x25     | 2.58 | 22x60     | 4.34 | 25x50     | 4.10 | 30x35     | 3.38 | 35x30     | 3.02 |
| 1500               |           |      | 25x55     | 4.54 | 30x40     | 3.88 | 35x30     | 3.06 |           |      | 25x60     | 4.76 | 30x40     | 3.81 | 35x35     | 3.45 |
| 1800               |           |      |           |      | 30x45     | 4.22 | 35x35     | 3.47 |           |      |           |      | 30x50     | 4.53 | 35x40     | 3.86 |
| 2200               |           |      |           |      | 30x55     | 4.95 | 35x45     | 4.30 |           |      |           |      | 30x60     | 5.19 | 35x45     | 4.22 |
| 2700               |           |      |           |      |           |      | 35x50     | 4.63 |           |      |           |      |           |      | 35x55     | 4.93 |
| 3300               |           |      |           |      |           |      | 35x60     | 5.35 |           |      |           |      |           |      |           |      |

ケースサイズ Case Size  $\phi$ D x L(mm)  $\rightarrow$   
 リプル電流 Ripple Current (A.r.m.s./120Hz,85°C)  $\rightarrow$

### ◆標準品一覧表 / STANDARD SIZE

| Cap.<br>( $\mu$ F) | 400Vdc    |      |           |      |           |      |           |      | 420Vdc    |      |           |      |           |      |           |      |
|--------------------|-----------|------|-----------|------|-----------|------|-----------|------|-----------|------|-----------|------|-----------|------|-----------|------|
|                    | $\phi$ 22 |      | $\phi$ 25 |      | $\phi$ 30 |      | $\phi$ 35 |      | $\phi$ 22 |      | $\phi$ 25 |      | $\phi$ 30 |      | $\phi$ 35 |      |
| 150                | 22x25     | 1.40 |           |      |           |      |           |      | 22x25     | 1.42 |           |      |           |      |           |      |
| 180                | 22x25     | 1.47 |           |      |           |      |           |      | 22x30     | 1.63 | 25x25     | 1.59 |           |      |           |      |
|                    | 22x30     | 1.60 |           |      |           |      |           |      |           |      |           |      |           |      |           |      |
| 220                | 22x30     | 1.74 | 25x25     | 1.68 |           |      |           |      | 22x30     | 1.72 | 25x25     | 1.67 |           |      |           |      |
|                    |           |      |           |      |           |      |           |      | 22x35     | 1.87 | 25x30     | 1.84 |           |      |           |      |
| 270                | 22x35     | 1.99 | 25x30     | 1.95 |           |      |           |      | 22x35     | 1.97 | 25x30     | 1.98 | 30x25     | 1.91 |           |      |
|                    |           |      |           |      |           |      |           |      | 22x40     | 2.13 |           |      |           |      |           |      |
| 330                | 22x40     | 2.26 | 25x35     | 2.23 | 30x25     | 1.98 |           |      | 22x45     | 2.41 | 25x35     | 2.27 | 30x25     | 1.98 |           |      |
|                    |           |      |           |      |           |      |           |      |           |      |           |      |           |      | 30x30     | 2.22 |
| 390                | 22x45     | 2.51 | 25x35     | 2.34 | 30x30     | 2.30 |           |      | 22x50     | 2.67 | 25x40     | 2.54 | 30x30     | 2.31 | 35x25     | 2.10 |
|                    | 22x50     | 2.64 | 25x40     | 2.50 |           |      |           |      |           |      |           |      |           |      |           |      |
| 470                | 22x55     | 2.92 | 25x40     | 2.63 | 30x30     | 2.39 | 35x25     | 2.12 | 22x55     | 2.89 | 25x45     | 2.82 | 30x35     | 2.63 | 35x30     | 2.47 |
|                    | 22x60     | 3.03 | 25x45     | 2.81 | 30x35     | 2.61 |           |      |           |      |           |      |           |      |           |      |
| 560                | 22x60     | 3.17 | 25x50     | 3.12 | 30x35     | 2.75 | 35x30     | 2.50 |           |      | 25x50     | 3.08 | 30x40     | 2.95 | 35x30     | 2.54 |
|                    |           |      | 25x55     | 3.24 | 30x40     | 2.92 |           |      |           |      | 25x55     | 3.28 |           |      | 35x35     | 2.81 |
| 680                |           |      | 25x55     | 3.41 | 30x40     | 3.05 | 35x35     | 2.83 |           |      | 25x60     | 3.55 | 30x45     | 3.29 | 35x35     | 2.90 |
|                    |           |      | 25x60     | 3.58 | 30x45     | 3.25 |           |      |           |      |           |      |           |      | 30x50     | 3.47 |
| 820                |           |      |           |      | 30x50     | 3.57 | 35x40     | 3.17 |           |      |           |      | 30x50     | 3.64 | 35x40     | 3.25 |
|                    |           |      |           |      |           |      |           |      |           |      |           |      | 30x55     | 3.80 | 35x45     | 3.47 |
| 1000               |           |      |           |      | 30x60     | 4.12 | 35x45     | 3.62 |           |      |           |      | 30x60     | 4.13 | 35x45     | 3.57 |
|                    |           |      |           |      |           |      | 35x50     | 3.79 |           |      |           |      |           |      | 35x50     | 3.78 |
| 1200               |           |      |           |      |           |      | 35x55     | 4.09 |           |      |           |      |           |      | 35x55     | 4.15 |
|                    |           |      |           |      |           |      |           |      |           |      |           |      |           |      | 35x60     | 4.36 |

| Cap.<br>( $\mu$ F) | 450Vdc    |      |           |      |           |      |           |      | 475Vdc    |      |           |      |           |      |           |      |
|--------------------|-----------|------|-----------|------|-----------|------|-----------|------|-----------|------|-----------|------|-----------|------|-----------|------|
|                    | $\phi$ 22 |      | $\phi$ 25 |      | $\phi$ 30 |      | $\phi$ 35 |      | $\phi$ 22 |      | $\phi$ 25 |      | $\phi$ 30 |      | $\phi$ 35 |      |
| 100                |           |      |           |      |           |      |           |      | 22x25     | 1.11 |           |      |           |      |           |      |
| 120                | 22x25     | 1.30 |           |      |           |      |           |      | 22x30     | 1.28 |           |      |           |      |           |      |
| 150                | 22x25     | 1.41 |           |      |           |      |           |      | 22x35     | 1.48 | 25x25     | 1.38 |           |      |           |      |
|                    | 22x30     | 1.53 |           |      |           |      |           |      |           |      |           |      |           |      |           |      |
| 180                | 22x30     | 1.65 | 25x25     | 1.60 |           |      |           |      | 22x35     | 1.60 | 25x30     | 1.59 |           |      |           |      |
| 220                | 22x35     | 1.89 | 25x30     | 1.85 |           |      |           |      | 22x45     | 1.89 | 25x35     | 1.82 | 30x25     | 1.70 |           |      |
| 270                | 22x40     | 2.15 | 25x35     | 2.12 | 30x25     | 1.90 |           |      | 22x50     | 2.14 | 25x40     | 2.07 | 30x30     | 1.97 | 35x25     | 1.87 |
| 330                | 22x45     | 2.37 | 25x35     | 2.23 | 30x30     | 2.22 | 35x25     | 2.04 | 22x60     | 2.46 | 25x45     | 2.33 | 30x35     | 2.25 | 35x30     | 2.18 |
|                    | 22x50     | 2.51 | 25x40     | 2.41 |           |      |           |      |           |      |           |      |           |      |           |      |
| 390                | 22x55     | 2.75 | 25x40     | 2.50 | 30x30     | 2.29 | 35x25     | 2.11 |           |      | 25x55     | 2.68 | 30x40     | 2.51 | 35x30     | 2.27 |
|                    | 22x60     | 2.86 | 25x45     | 2.67 | 30x35     | 2.51 | 35x30     | 2.39 |           |      |           |      |           |      |           |      |
| 470                | 22x60     | 3.01 | 25x50     | 2.96 | 30x35     | 2.63 | 35x30     | 2.43 |           |      | 25x60     | 2.95 | 30x45     | 2.81 | 35x35     | 2.58 |
|                    |           |      | 25x55     | 3.09 | 30x40     | 2.82 |           |      |           |      |           |      |           |      |           |      |
| 560                |           |      | 25x55     | 3.23 | 30x40     | 2.95 | 35x35     | 2.78 |           |      |           |      | 30x50     | 3.10 | 35x40     | 2.89 |
|                    |           |      | 25x60     | 3.40 | 30x45     | 3.13 |           |      |           |      |           |      |           |      |           |      |
| 680                |           |      |           |      | 30x45     | 3.25 | 35x40     | 3.10 |           |      |           |      | 30x60     | 3.56 | 35x50     | 3.40 |
|                    |           |      |           |      | 30x50     | 3.46 |           |      |           |      |           |      |           |      |           |      |
| 820                |           |      |           |      | 30x55     | 3.77 | 35x45     | 3.43 |           |      |           |      |           |      | 35x55     | 3.72 |
|                    |           |      |           |      | 30x60     | 3.97 |           |      |           |      |           |      |           |      |           |      |
| 1000               |           |      |           |      |           |      | 35x50     | 3.79 |           |      |           |      |           |      |           |      |
|                    |           |      |           |      |           |      | 35x55     | 4.01 |           |      |           |      |           |      |           |      |
| 1200               |           |      |           |      |           |      | 35x60     | 4.40 |           |      |           |      |           |      |           |      |

| Cap.<br>( $\mu$ F) | 500Vdc    |      |           |      |           |      |           |      |
|--------------------|-----------|------|-----------|------|-----------|------|-----------|------|
|                    | $\phi$ 22 |      | $\phi$ 25 |      | $\phi$ 30 |      | $\phi$ 35 |      |
| 100                | 22x25     | 1.12 |           |      |           |      |           |      |
| 120                | 22x30     | 1.28 | 25x25     | 1.27 |           |      |           |      |
| 150                | 22x35     | 1.49 | 25x30     | 1.48 |           |      |           |      |
| 180                | 22x40     | 1.68 | 25x30     | 1.60 |           |      |           |      |
| 220                | 22x45     | 1.91 | 25x40     | 1.93 | 30x25     | 1.70 |           |      |
| 270                | 22x55     | 2.23 | 25x45     | 2.18 | 30x35     | 2.12 | 35x25     | 1.87 |
| 330                |           |      | 25x50     | 2.45 | 30x40     | 2.39 | 35x30     | 2.18 |
| 390                |           |      | 25x60     | 2.79 | 30x40     | 2.52 | 35x35     | 2.47 |
| 470                |           |      |           |      | 30x50     | 2.95 | 35x40     | 2.78 |
| 560                |           |      |           |      | 30x55     | 3.25 | 35x45     | 3.08 |
| 680                |           |      |           |      |           |      | 35x50     | 3.40 |
| 820                |           |      |           |      |           |      | 35x60     | 3.89 |

ケースサイズ Case Size  $\phi D \times L$ (mm)  $\rightarrow$   
 リプル電流 Ripple Current (A.r.m.s./120Hz,85°C)  $\rightarrow$