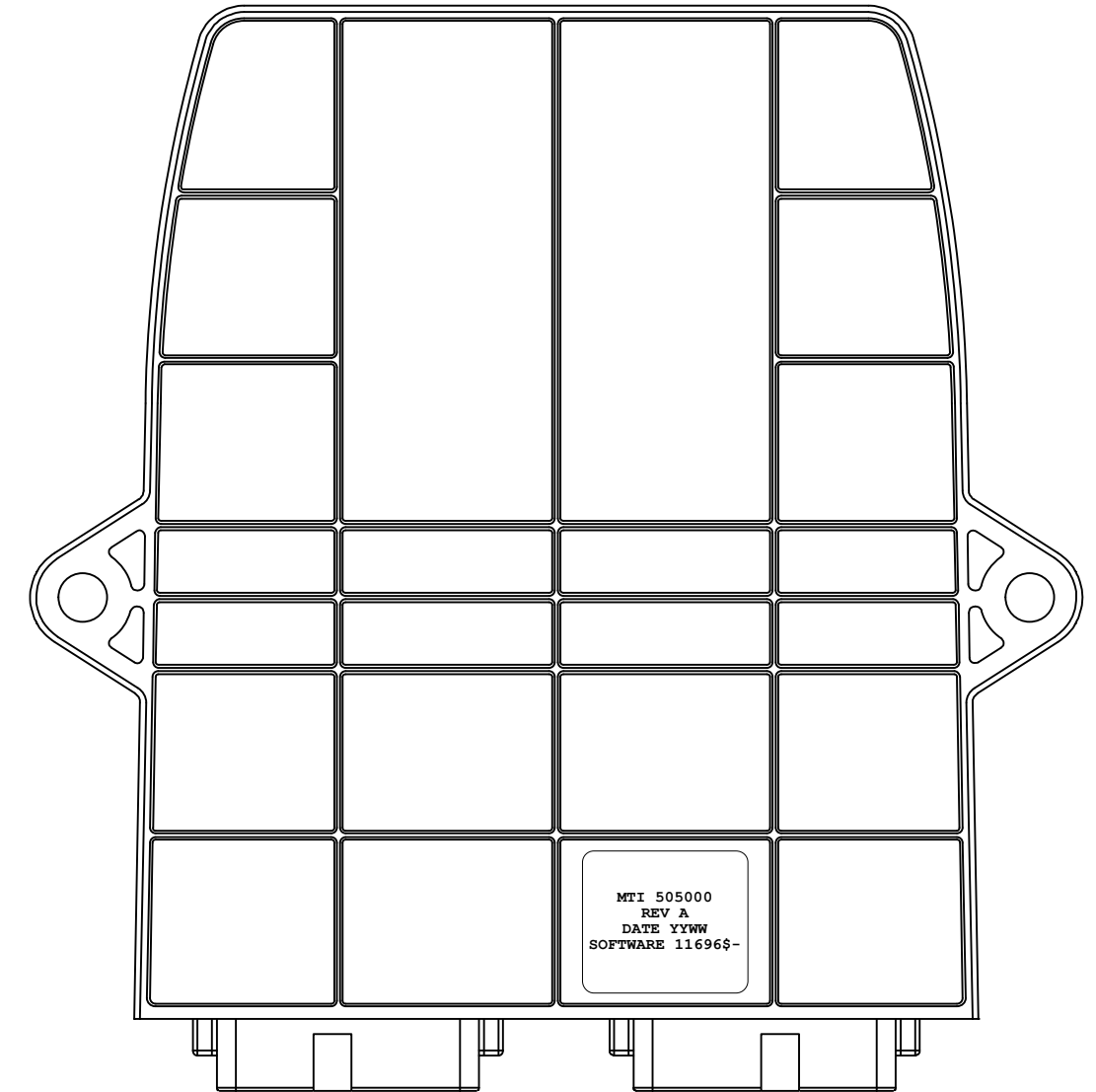
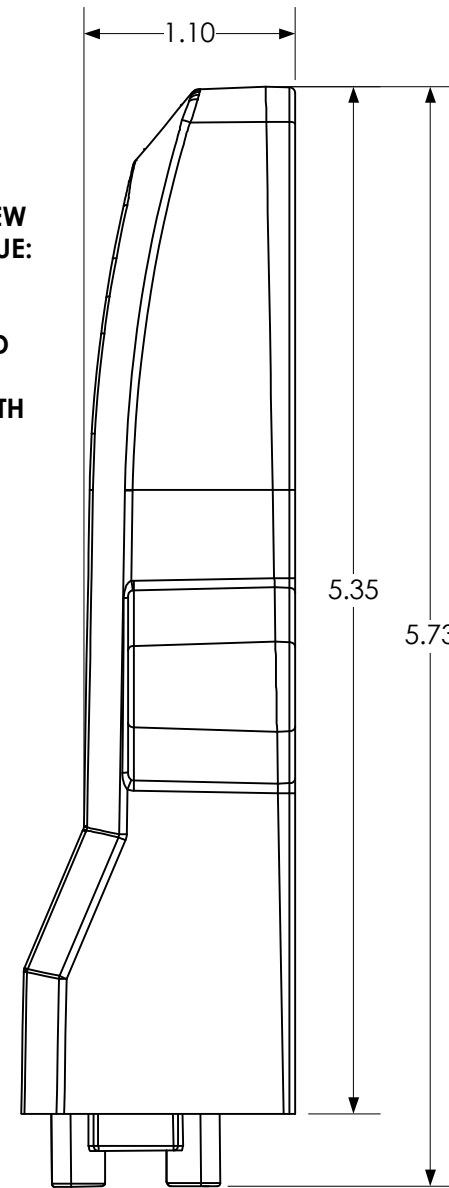
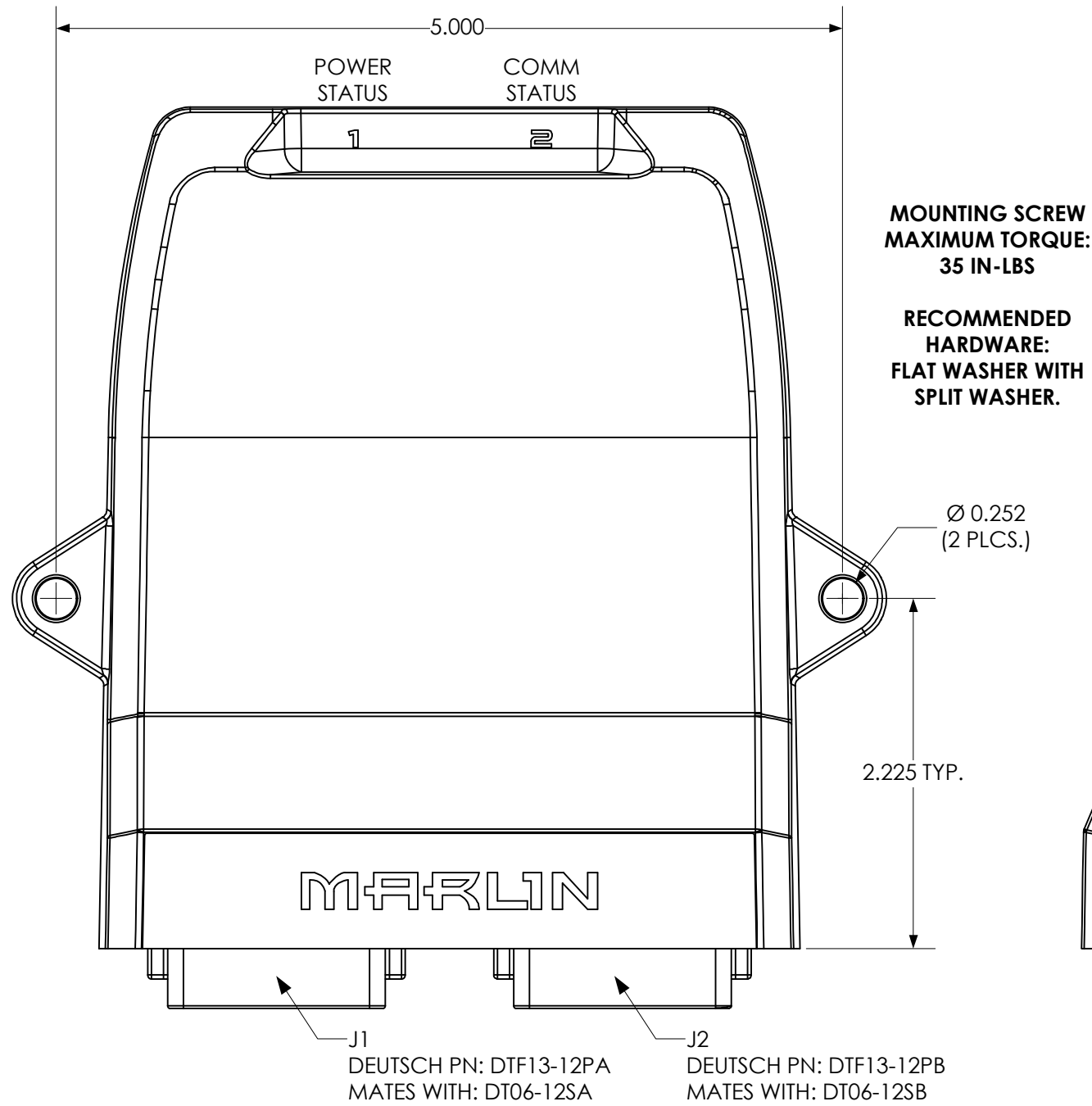
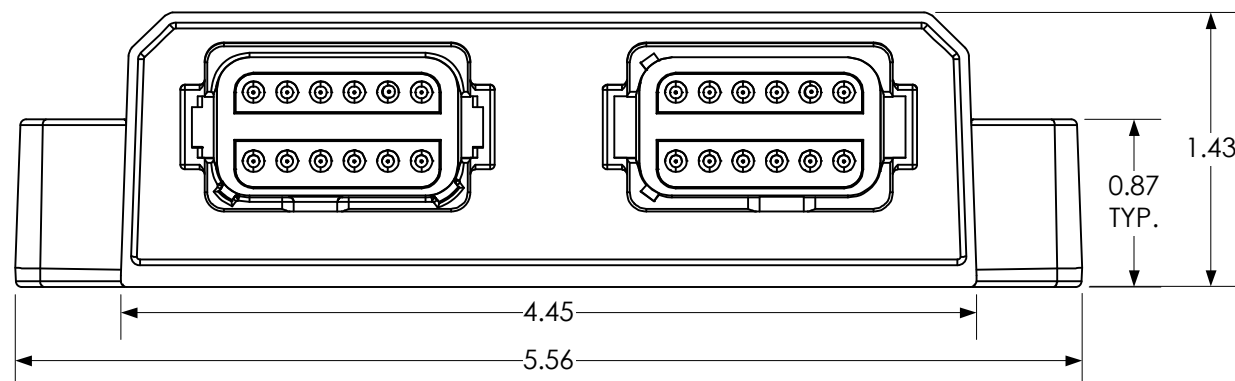


REVISIONS				
REV	DATE	ECN	DESCRIPTION	APVD
A	12-23-15	11688E	RELEASE TO PRODUCTION	SMJ



**THIS UNIT MUST BE MOUNTED WITH THE
CONNECTORS DOWN OR SIDWAYS ONLY!**



UNLESS OTHERWISE SPECIFIED, DIMENSIONS
ARE IN INCHES AND TOLERANCES ARE

TWO PLACE DECIMAL +/- 0.05	THREE PLACE DECIMAL +/- 0.020	ANGLES +/-
----------------------------------	-------------------------------------	---------------

DO NOT SCALE DRAWING

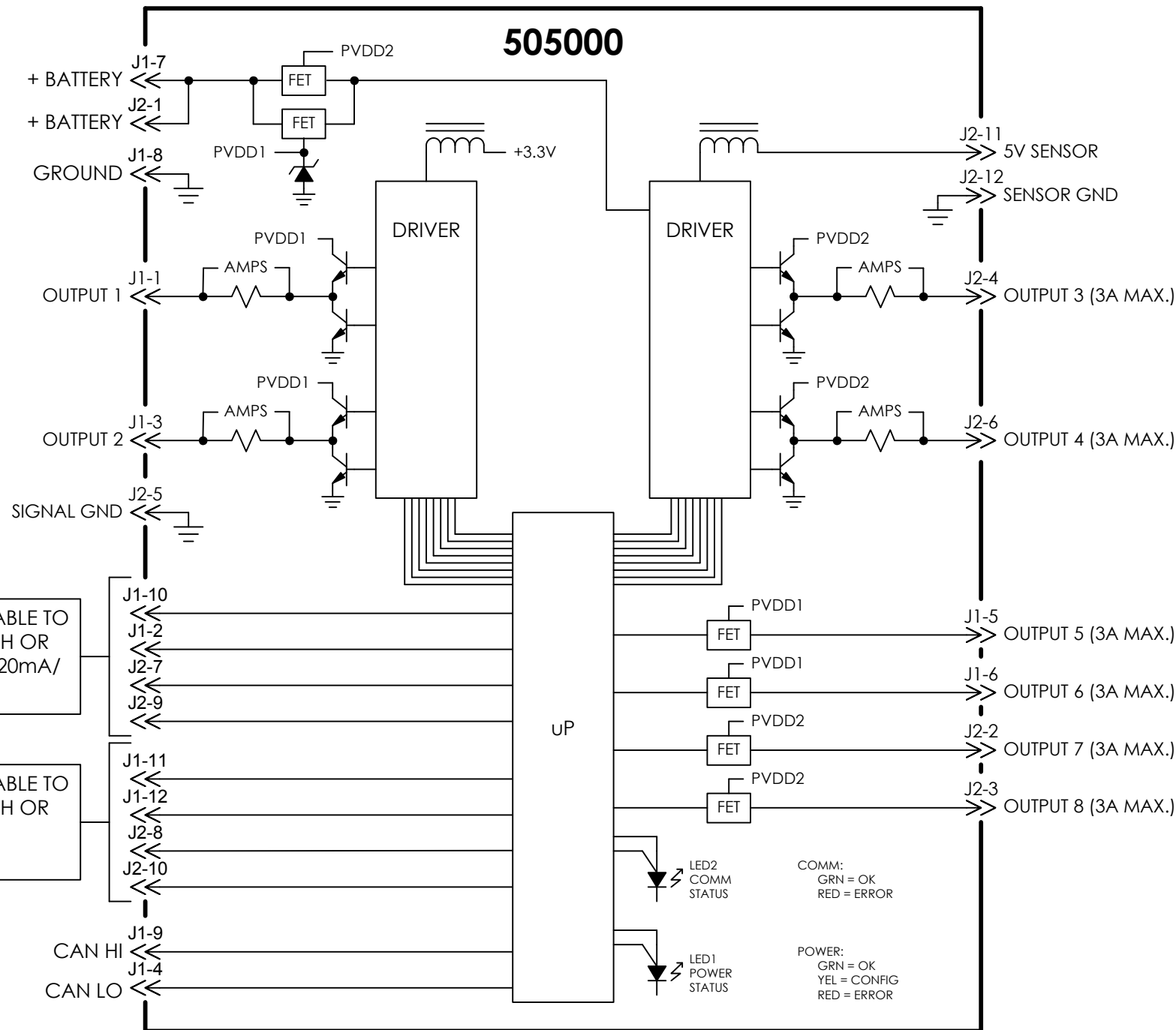
CHECKED	S. JOHNSON	DATE 09/26/18
APPROVED	S. JOHNSON	DATE 10/01/18

MARLIN TECHNOLOGIES INC.

TITLE
OUTLINE, 505000
CONFIGURABLE I/O

SIZE B	DRAWING NUMBER 011690	TYPE O	REV A
DRAWN RAS	DATE 04-27-16	SHEET 1 OF 2	

REVISIONS				
REV	DATE	ECN	DESCRIPTION	APVD
A	12-23-15	11688E	RELEASE TO PRODUCTION	SMJ



INPUTS PROGRAMMABLE TO AIN/DIN (ACTIVE HIGH OR LOW)/PULSE/ RES/ 4-20mA/ QUAD ENC

INPUTS PROGRAMMABLE TO AIN/DIN (ACTIVE HIGH OR LOW)/PULSE/ RES/ QUAD ENC

OPERATING VOLTAGE: 8 TO 36VDC (12VDC OR 24VDC NOMINAL)
 FUNCTIONAL OPERATION: REFERENCE SPECIFICATION. 011697S-

UNLESS OTHERWISE SPECIFIED, DIMENSIONS ARE IN INCHES AND TOLERANCES ARE

TWO PLACE DECIMAL +/- 0.05	THREE PLACE DECIMAL +/- 0.020	ANGLES +/-
-------------------------------	----------------------------------	---------------

DO NOT SCALE DRAWING

CHECKED	S. JOHNSON	DATE	09/26/18
APPROVED	S. JOHNSON	DATE	10/01/18

MARLIN TECHNOLOGIES INC.

TITLE: **OUTLINE, 505000 CONFIGURABLE I/O**

SIZE	DRAWING NUMBER	TYPE	REV
B	011690	O	A
DRAWN RAS	DATE 04-27-16	SHEET 2 OF 2	

THE INFORMATION CONTAINED ON THIS DRAWING IS PROPRIETARY AND CONFIDENTIAL TO MARLIN TECHNOLOGIES INC. UNAUTHORIZED USE OR DISTRIBUTION WITHOUT CONSENT IS PROHIBITED.