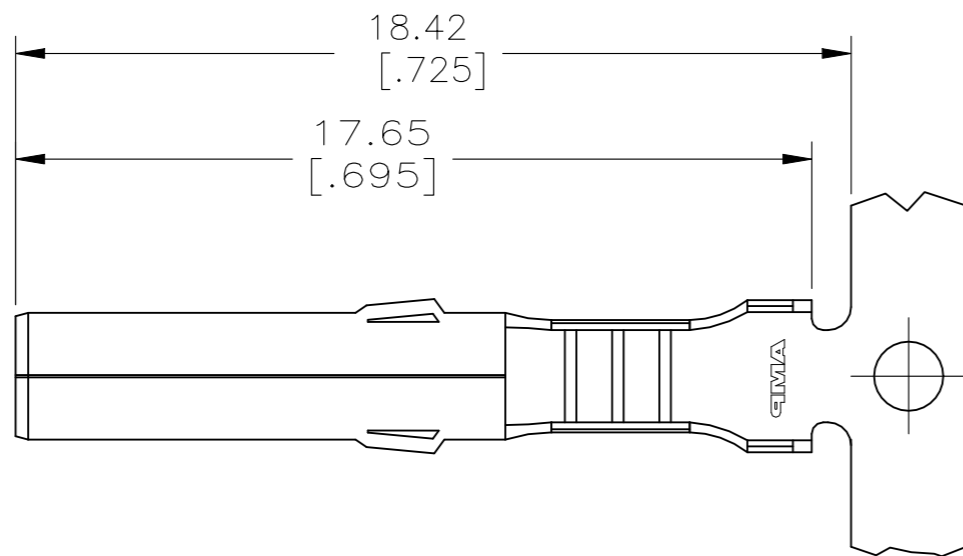
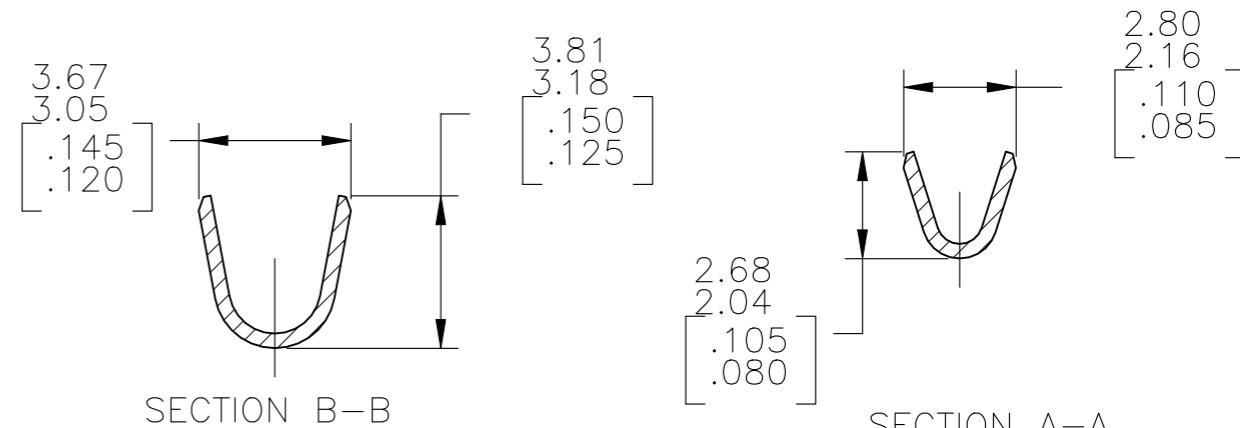
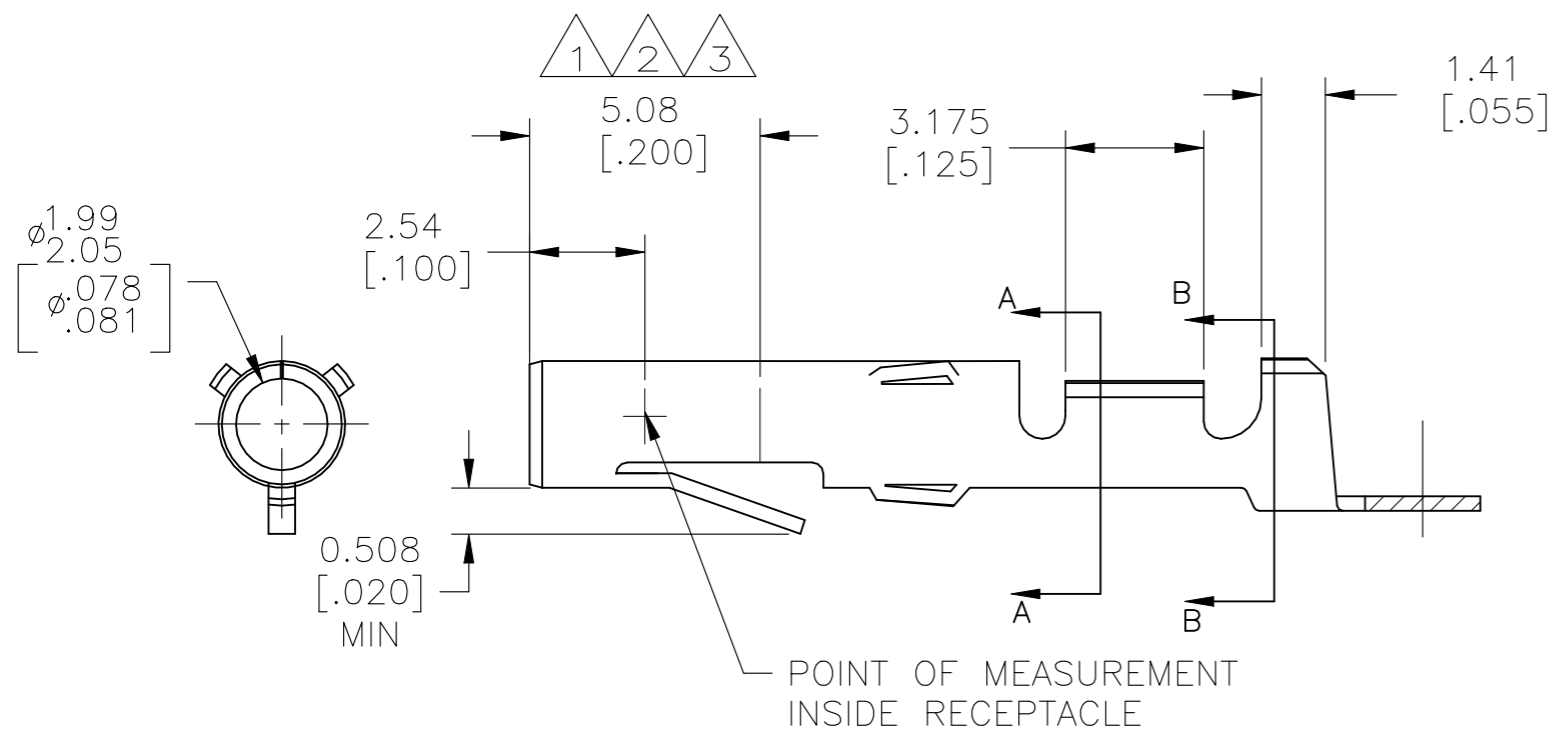


THIS DRAWING IS UNPUBLISHED. RELEASED FOR PUBLICATION
 © COPYRIGHT - RUTH, JEFFERY ALL RIGHTS RESERVED.

LOC	DIST	REVISIONS			
P	LTR	DESCRIPTION	DATE	DWN	APVD
CM	00	AB3	REVISED PER ECR-21-101087	07MAY2021	PJ VS



- 1 NICKEL ON ENTIRE TERMINAL WITH 0.00076[.000030] GOLD OVER INSIDE OF MATING AREA AND WIRE BARREL.
- 2 GOLD FLASH OVER NICKEL ON ENTIRE TERMINAL WITH 0.00076[.000030] GOLD OVER MATING AREA.
- 3 NICKEL ON ENTIRE TERMINAL WITH 0.00076[.000030] GOLD OVER INSIDE OF MATING AREA.
- 4 WIRE RANGE 24-18.
- 5 INSULATION DIA .100 MAX.



	APPLICATOR TYPE	FINISH	MATERIAL	PART NO
	MINI	GOLD	.012 PH BRZ	1-61314-0
OBSOLETE	MINI	GOLD	.012 PH BRZ	61314-8
	MINI	GOLD	3 .012 BRASS	61314-7
	MINI	GOLD	3 .012 PH BRZ	61314-6
	MINI	GOLD	1 .012 BRASS	61314-5
	MINI	PRE TIN	.012 PH BRZ	61314-4
OBSOLETE	MINI	-	.012 PH BRZ	61314-3
	MINI	-	.012 BRASS	61314-2
	MINI	PRE TIN	.012 BRASS	61314-1

THIS DRAWING IS A CONTROLLED DOCUMENT.

DWN KIRAN HOLAL 29JUN2012	TE Connectivity SOCKET™ COMMERCIAL MATE-N-LOK	SIZE	CAGE CODE	DRAWING NO	RESTRICTED TO
CHK RUTH,JEFFERY 29JUN2012		A3	00779	C-61314	-
APVD RUTH,JEFFERY 29JUN2012		SCALE	SHEET	REV	
PRODUCT SPEC		6:1	1 OF 1	AB3	
APPLICATION SPEC	CUSTOMER DRAWING				

DIMENSIONS:	TOLERANCES UNLESS OTHERWISE SPECIFIED:
mm [INCHES]	
0 PLC	± -
1 PLC	± -
2 PLC	± 0.38 [.015]
3 PLC	± -
4 PLC	± -
ANGLES	± 1°
MATERIAL	FINISH
SEE TABLE	SEE TABLE