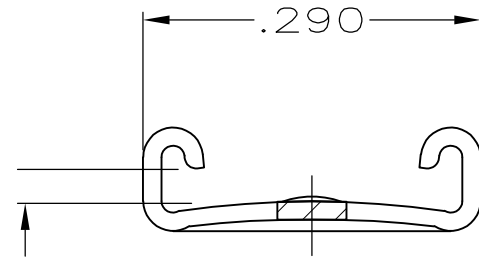
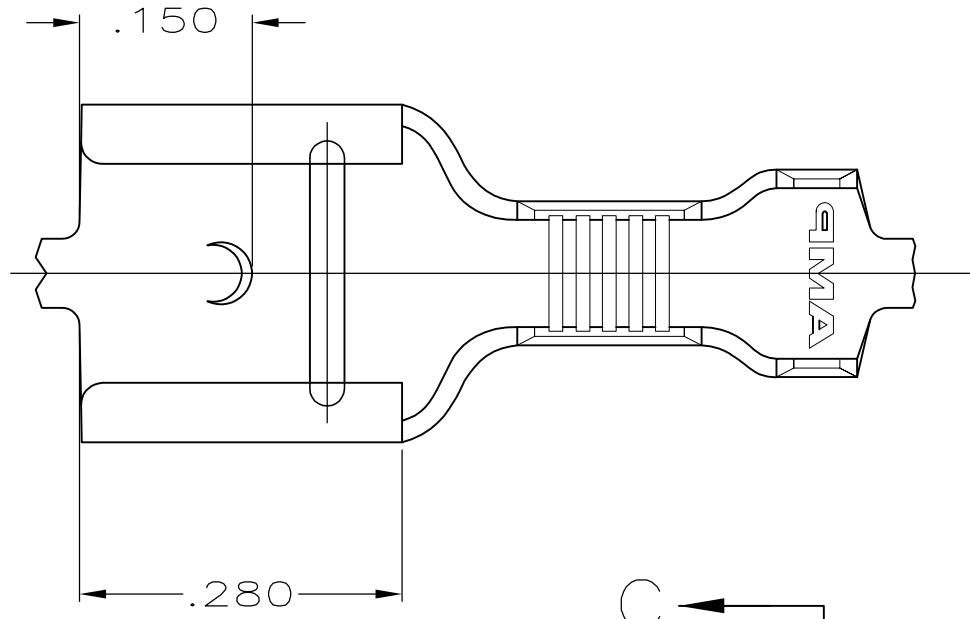


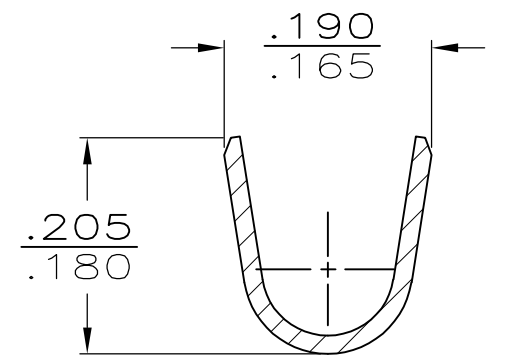
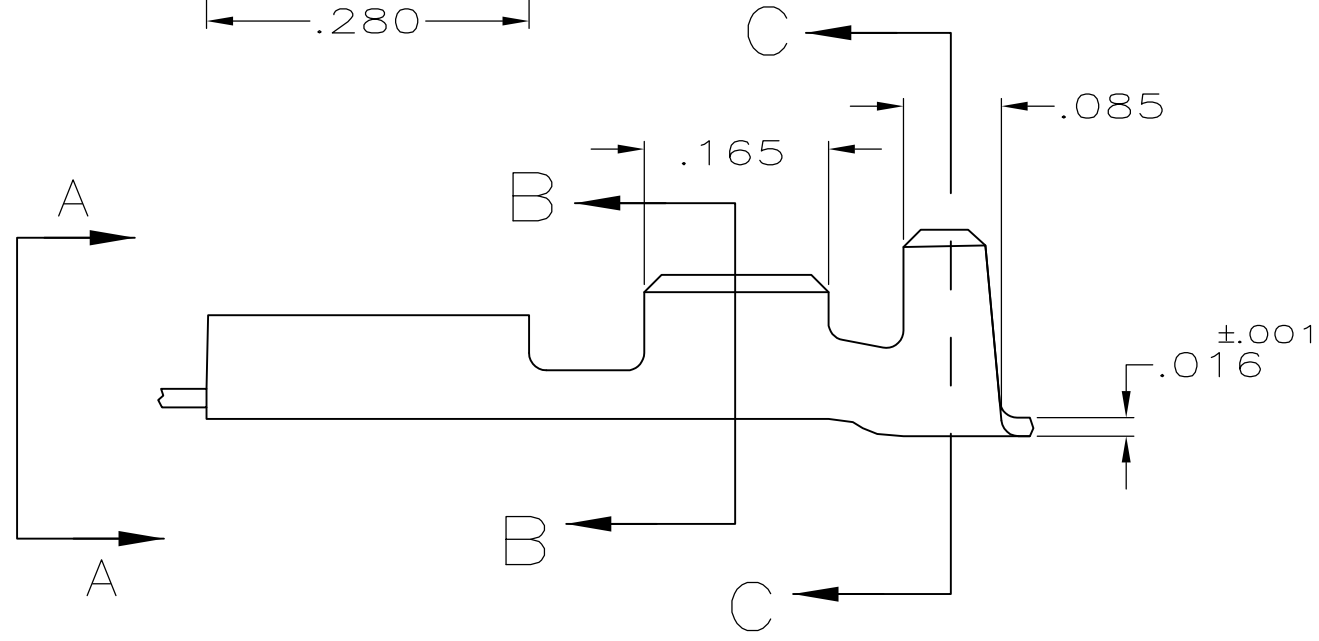
THIS DRAWING IS UNPUBLISHED. RELEASED FOR PUBLICATION  
 © COPYRIGHT - By TYCO ELECTRONICS CORPORATION. ALL RIGHTS RESERVED.

LOC	DIST	REVISIONS					
AF	50	P	LTR	DESCRIPTION	DATE	DWN	APVD
		D		REVISE PER ECR-13-013738	15FEB2014	GRZ	JL

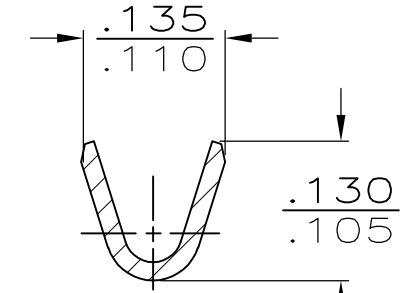
1 CONTINUOUS STRIP ON REELS.



FITS .250 SERIES FASTON TAB  
 VIEW A-A



SECTION C-C



SECTION B-B

.100-.140	1000-3000	23-20	20-16	.020	62080-1
INSULATION RANGE	CMA	2 MAGNET	1 MAGNET	MATING TAB THK ±.001	PART NUMBER
			WIRE SIZE		

THIS DRAWING IS A CONTROLLED DOCUMENT.		DWN	JR RUTH	8/28/95	<b>STE</b> TE Connectivity
DIMENSIONS: INCHES		CHK	MS FEHER	8/28/95	
		APVD	-	8/28/95	
		PRODUCT SPEC	-	8/28/95	
TOLERANCES UNLESS OTHERWISE SPECIFIED:		APPLICATION SPEC		114-2144	NAME
0 PLC ± -		1 MAGNET			RECEPTACLE, FASTON, AMPLIVAR, .250 SERIES
1 PLC ± -		2 MAGNET			SIZE
2 PLC ± -		3 MAGNET			CAGE CODE
3 PLC ± .015		4 MAGNET			DRAWING NO
4 PLC ± -		ANGLES ± -			RESTRICTED TO
MATERIAL		FINISH			
BRASS		-			
CUSTOMER DRAWING				WEIGHT	-
				SCALE	6:1
				SHEET	1 OF 1
				REV	D