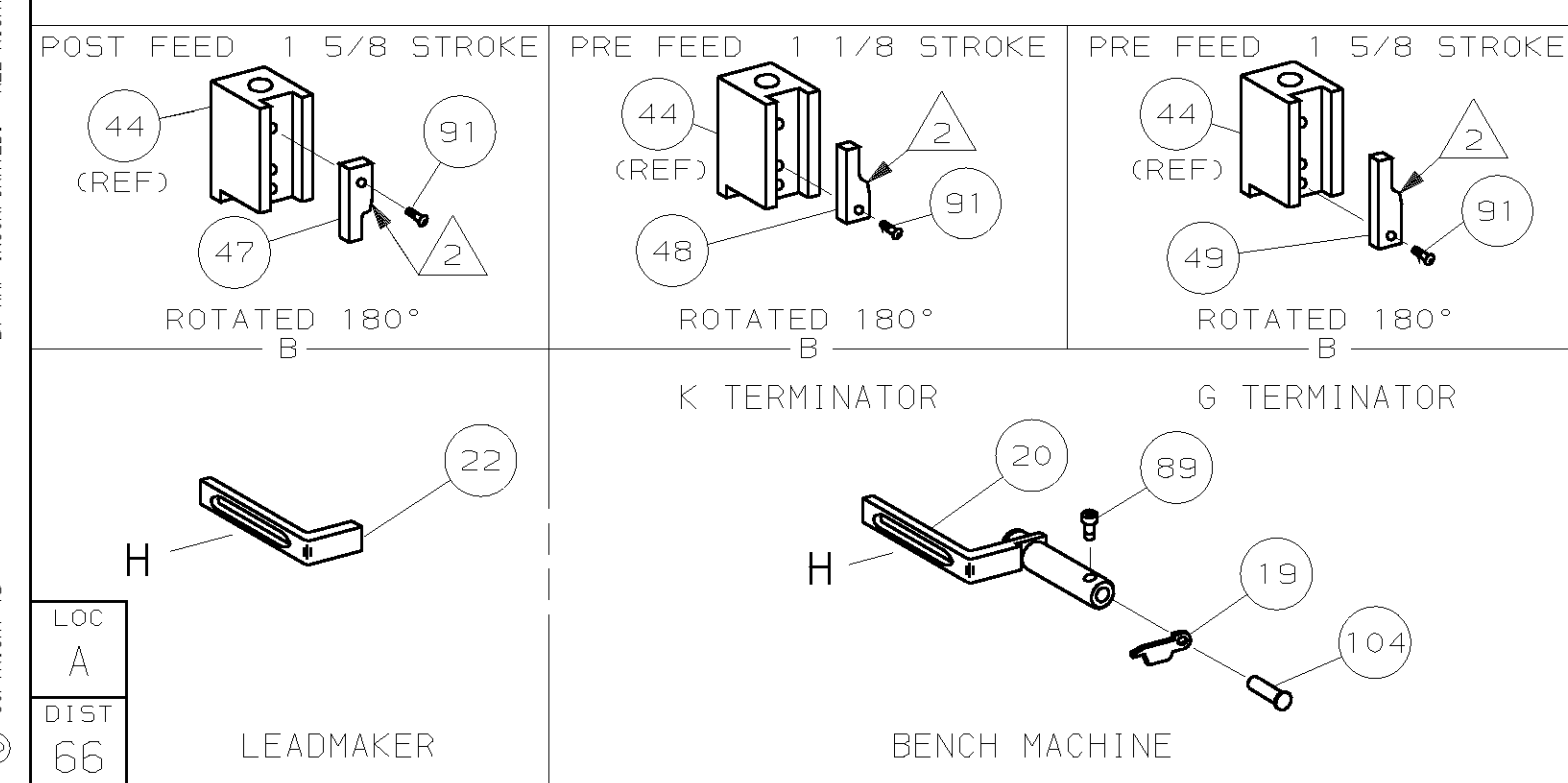
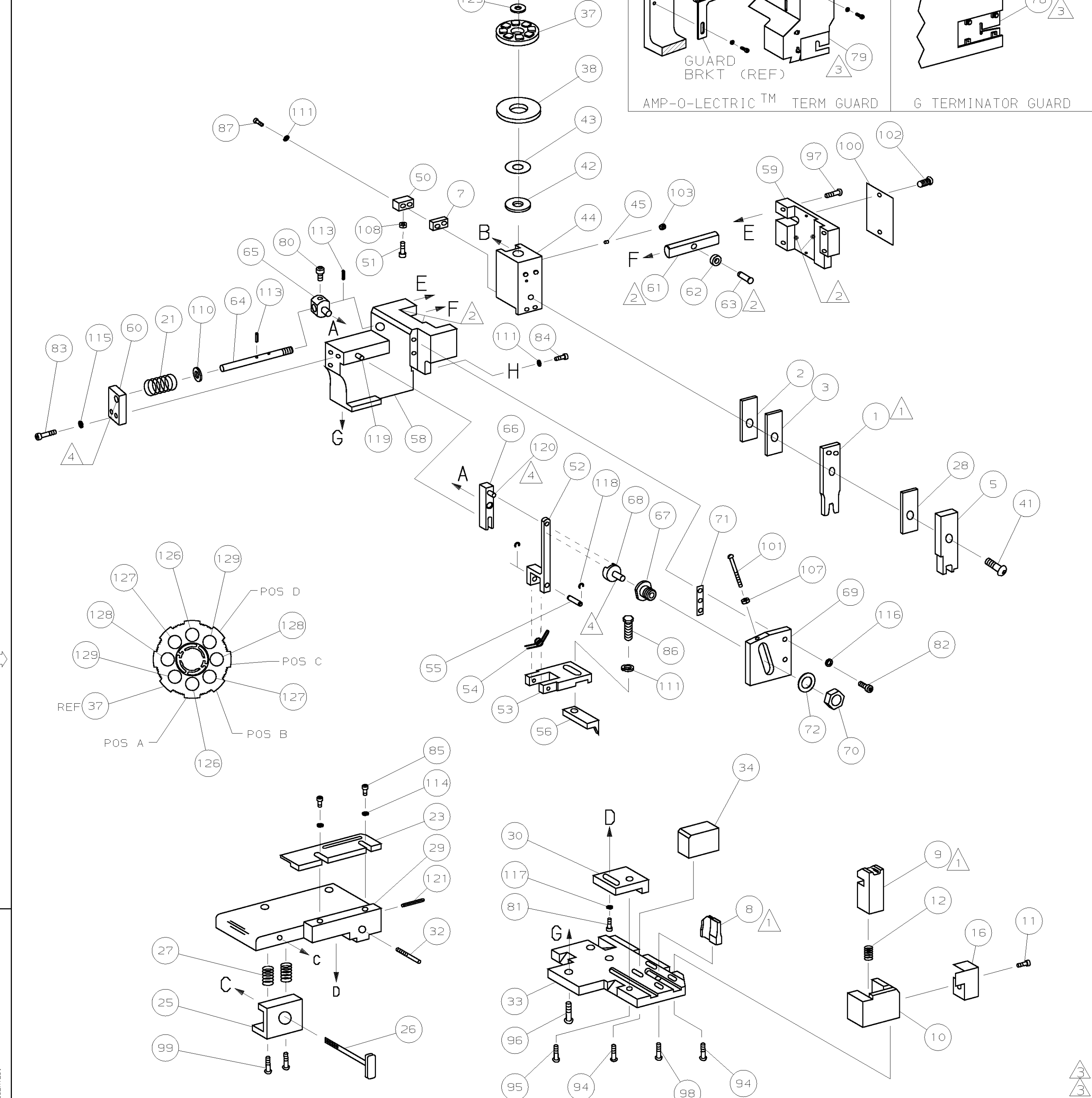


| PART NUMBER | REV | FIRST USED |
|-------------|-----|------------|
| 680478-1 | A | 122500-1 |
| 680478-2 | A | 565435-5 |
| 680478-3 | A | 354500-1 |



- 1 RECOMMENDED SPARE PARTS.
- 2 GREASE LIGHTLY.
- 3 GUARD MUST BE IN PLACE WHEN OPERATING APPLICATOR IN A BENCH MACHINE.
- 4 LUBRICATE DAILY USING NO. 20 MACHINE OIL.
- 5. ITEMS WITH QTY OF REF SPECIFIED (EXCEPT ITEMS 78 AND 79) ARE USED ON ITEM 46.

| TERMINAL NAME: GROUNDING PIN | | 286594 | |
|------------------------------|---------------------------|------------------|-------------|
| | | CRIMPING DATA | |
| PAD LTR | CRIMP HEIGHT | WIRE SIZE | |
| A | .095 ±.002 [2.41 ±0.05mm] | 14 | |
| B | .088 ±.002 [2.24 ±0.05mm] | 16 | |
| C | .080 ±.002 [2.03 ±0.05mm] | 18 | |
| D | NOT USED | USED | |
| CRIMP | SIZE | TYPE | RANGE |
| WIRE | .155 [3.94mm] | F | 18-14 |
| INSUL | - | - | - |
| WIRE STRIP LENGTH | TERM APPL | SPEC | FEED |
| .156-.188 | NONE | | .500 |
| | | APPL INSTRUCTION | SET UP GAGE |
| | | 408-8040 | 458637-1 |
| | | LAYOUT | L1943 |

| QTY | REF | REF | REF | U/M | DWG SIZE | PART NO | DESCRIPTION | ITEM NO |
|-----|-----|-----|-----|----------|----------|------------|------------------------------------|---------|
| 2 | 2 | 2 | - | C | | 8-354778-1 | PIN, WIRE DISC (.2900)C | 129 |
| 2 | 2 | 2 | - | C | | 5-354778-9 | PIN, WIRE DISC (.2790)B | 127 |
| 2 | 2 | 2 | - | C | | 4-354778-0 | PIN, WIRE DISC (.2695)A | 126 |
| 1 | 1 | 1 | - | A | | 986950-1 | WASHER, FLAT PRECISION | 125 |
| 1 | 1 | 1 | - | A | | 217238-1 | GENERAL INSTRUCTION PACKAGE | 124 |
| 1 | 1 | 1 | - | - | | 4088040 | SF APPL INST 408-8040 | 123 |
| | | | | | | | | 122 |
| 1 | 1 | 1 | - | A | | 4-21028-0 | PIN, SLT SPR (Ø.093x.75) ST GDE PL | 121 |
| REF | REF | REF | - | A | | 1-21030-1 | PIN, DOWEL (Ø.187x.50) LEVER | 120 |
| REF | REF | REF | - | A | | 1-21030-6 | PIN, DOWEL (Ø.187x1.25) HOUSING | 119 |
| REF | REF | REF | - | A | | 21045-3 | RING, RET "C" (Ø.187) FD FING PIN | 118 |
| 1 | 1 | 1 | - | A | | 21024-5 | WASHER, LOCK (#10) ADJ BLK | 117 |
| REF | REF | REF | - | A | | 21024-5 | WASHER, LOCK (#10) ADJ PLATE | 116 |
| REF | REF | REF | - | A | | 21024-5 | WASHER, LOCK (#10) FEED GDE ROD | 115 |
| 2 | 2 | 2 | - | A | | 21024-2 | WASHER, LOCK (#4) FRONT STP GUIDE | 114 |
| REF | REF | REF | - | A | | 5-21028-1 | PIN, SLT SPR (Ø.125x.50) ADJ ROD | 113 |
| | | | | | | | | 112 |
| 4 | 4 | 4 | - | A | | 21024-4 | WASHER, LOCK (#8) STRIPPER | 111 |
| REF | REF | REF | - | A | | 21899-4 | WASHER, FLAT (Ø5/16) SCREW ADJ | 110 |
| | | | | | | | | 109 |
| 1 | 1 | 1 | - | A | | 21018-5 | NUT, HEX (NO. 6) HOLDDOWN | 108 |
| REF | REF | REF | - | A | | 21018-5 | NUT, HEX (6-32) FEED ADJ | 107 |
| | | | | | | | | 106 |
| | | | | | | | | 105 |
| 1 | 1 | 1 | - | A | | 992031-1 | PIN, CLEVIS | 104 |
| 1 | 1 | 1 | - | A | | 21009-2 | SCR, SKT 5ET (1/4-20x.25 LW) RAM | 103 |
| 2 | 2 | 2 | - | A | | 21017-2 | SCR, DRIVE (#2x.19) ID PLATE | 102 |
| REF | REF | REF | - | A | | 6-23715-5 | SCR, PAN HD (6-32x1.50) FEED ADJ | 101 |
| 1 | 1 | 1 | - | B | | 461264-1 | PLATE, IDENTIFICATION | 100 |
| 2 | 2 | 2 | - | A | | 3-21002-0 | SCR, BHC (10-32x.88) DRAG | 99 |
| 1 | 1 | 1 | - | A | | 22733-8 | SCR, BHC (8-32x.38 LW) ANVIL | 98 |
| REF | REF | REF | - | A | | 2-21002-9 | SCR, BHC (10-32x.75) CAP | 97 |
| REF | REF | REF | - | A | | 2-22733-8 | SCR, BHC (1/4-20x.62) HOUSING | 96 |
| REF | REF | REF | - | A | | 2-21002-7 | SCR, BHC (10-32x.50) 56 ADJ BLOCK | 95 |
| 4 | 4 | 4 | - | A | | 2-21002-2 | SCR, BHC (8-32x.50) TERM H DWN | 94 |
| | | | | | | | | 93 |
| | | | | | | | | 92 |
| 1 | 1 | 1 | - | A | | 1-21002-7 | SCR, BHC (6-32x.38) CAM | 91 |
| | | | | | | | | 90 |
| 1 | 1 | 1 | - | A | | 7-21000-9 | SCR, SHC (4-40x.19) STRIPPER | 89 |
| | | | | | | | | 88 |
| 2 | 2 | 2 | - | A | | 2-21000-9 | SCR, SHC (8-32x.68) DEP-HOLD | 87 |
| 1 | 1 | 1 | - | A | | 2-22603-0 | SCR, HEX HD (8-32x.31) FEED FINGER | 86 |
| 2 | 2 | 2 | - | A | | 1-21000-4 | SCR, SHC (4-40x.38) F ST GUIDE | 85 |
| 1 | 1 | 1 | - | A | | 2-21000-7 | SCR, SHC (8-32x.50) STRIPPER | 84 |
| REF | REF | REF | - | A | | 3-21000-7 | SCR, SHC (10-32x.75) FEED ROD GD | 83 |
| REF | REF | REF | - | A | | 3-21000-6 | SCR, SHC (10-32x.62) FD ADJ BLK | 82 |
| 1 | 1 | 1 | - | A | | 3-21000-4 | SCR, SHC (10-32x.38) 56 ADJ BL | 81 |
| REF | REF | REF | - | A | | 3-21000-4 | SCR, SHC (10-32x.38) PIVOT BLK | 80 |
| - | REF | - | - | B | | 455749-1 | GUARD, WINDOW | 79 |
| REF | - | - | - | B | | 679532-8 | INSERT, GUARD | 78 |
| | | | | | | | | 77 |
| | | | | | | | | 76 |
| | | | | | | | | 75 |
| | | | | | | | | 74 |
| | | | | | | | | 73 |
| REF | REF | REF | - | A | | 458109-1 | WASHER, SPECIAL | 72 |
| REF | REF | REF | - | A | | 690517-1 | SPACER | 71 |
| -3 | -2 | -1 | U/M | DWG SIZE | | PART NO | DESCRIPTION | ITEM NO |

| QTY | REF | REF | REF | U/M | DWG SIZE | PART NO | DESCRIPTION | ITEM NO |
|-----|-----|-----|-----|-----|----------|----------|-----------------|---------|
| 1 | 1 | 1 | 1 | - | A | 458109-1 | WASHER, SPECIAL | 72 |
| 1 | 1 | 1 | 1 | - | A | 690517-1 | SPACER | 71 |

| QTY | REF | REF | REF | U/M | DWG SIZE | PART NO | DESCRIPTION | ITEM NO |
|-----|-----|-----|-----|-----|----------|------------|-----------------------------|---------|
| -1 | | | | | | | LEADMAKER | |
| -2 | | | | | | | BENCH MODEL K | |
| -3 | | | | | | | BENCH MODEL G | |
| REF | REF | REF | - | B | | 22594-8 | NUT, HEX (1/2-20) | 70 |
| REF | REF | REF | - | B | | 240628-1 | PLATE, ADJUSTMENT | 69 |
| REF | REF | REF | - | B | | 240626-1 | SHAFT, PIVOT | 68 |
| REF | REF | REF | - | B | | 240633-1 | BUSHING | 67 |
| REF | REF | REF | - | A | | 455680-1 | LEVER, INTERMEDIATE | 66 |
| REF | REF | REF | - | B | | 240629-1 | BLOCK, PIVOT | 65 |
| REF | REF | REF | - | A | | 240632-2 | SCREW, ADJ FEED ROD | 64 |
| REF | REF | REF | - | B | | 240659-3 | PIN, CAM ROLLER | 63 |
| REF | REF | REF | - | B | | 240658-1 | ROLLER, CAM | 62 |
| REF | REF | REF | - | B | | 454398-2 | ROD, FEED | 61 |
| REF | REF | REF | - | A | | 454178-1 | GUIDE, FEED ROD | 60 |
| REF | REF | REF | - | C | | 454220-1 | CAP, RAM | 59 |
| REF | REF | REF | - | D | | 454485-1 | HOUSING | 58 |
| | | | | | | | | 57 |
| 1 | 1 | 1 | - | B | | 3-694433-0 | PAWL, FEED | 56 |
| REF | REF | REF | - | B | | 240624-1 | PIN, FEED FINGER | 55 |
| REF | REF | REF | - | B | | 691499-1 | SPRING, FEED FINGER | 54 |
| REF | REF | REF | - | B | | 690541-1 | HOLDER, FEED FINGER | 53 |
| REF | REF | REF | - | A | | 455679-4 | LEVER, TERMINAL FEED ARM | 52 |
| 1 | 1 | 1 | - | A | | 811242-2 | BUMPER, HOLDDOWN | 51 |
| 1 | 1 | 1 | - | A | | 690753-1 | SPACER, TONKER | 50 |
| 1 | - | - | - | B | | 690602-6 | CAM, PRE-FEED 1 5/8 ST | 49 |
| - | 1 | - | - | B | | 690602-5 | CAM, PRE-FEED 1 1/8 ST | 48 |
| - | - | 1 | - | B | | 690501-4 | CAM, POST-FEED 1 5/8 ST | 47 |
| 1 | 1 | 1 | - | B | | 459456-1 | APPLICATOR, BASIC (SUBASSY) | 46 |
| 1 | 1 | 1 | - | A | | 690191-1 | PLUG, NYLON | 45 |
| 1 | 1 | 1 | - | C | | 455673-1 | RAM | 44 |
| 1 | 1 | 1 | - | A | | 690125-1 | WASHER, LAMINATED | 43 |
| 1 | 1 | 1 | - | A | | 690124-1 | WASHER, RAM | 42 |
| 1 | 1 | 1 | - | A | | 690686-1 | BOLT, CRIMPER (5/16x1.00) | 41 |
| | | | | | | | | 40 |
| | | | | | | | | 39 |
| 1 | 1 | 1 | - | A | | 690223-2 | SPACER, INSULATION DISC | 38 |
| 1 | 1 | 1 | - | D | | 354777-1 | WIRE DISC, PLASTIC | 37 |
| 1 | 1 | 1 | - | A | | 22480-5 | WASHER, SPRING | 36 |
| 1 | 1 | 1 | - | B | | 690212-1 | POST, RAM | 35 |
| 1 | 1 | 1 | - | B | | 690786-1 | SUPPORT, TERMINAL | 34 |
| REF | REF | REF | - | D | | 455675-1 | PLATE, BASE | 33 |
| 1 | 1 | 1 | - | A | | 690432-3 | SCREW, ADJUSTMENT | 32 |
| | | | | | | | | 31 |
| REF | REF | REF | - | B | | 455689-1 | BLOCK, STRIP GUIDE ADJ | 30 |
| 1 | 1 | 1 | - | C | | 455671-1 | PLATE, STRIP GUIDE | 29 |
| 1 | 1 | 1 | - | C | | 455888-3 | SPACER, FRONT SHEAR DEP | 28 |
| 2 | 2 | 2 | - | A | | 1-22284-0 | SPRING, DRAG | 27 |
| 1 | 1 | 1 | - | B | | 690546-1 | LEVER, DRAG RELEASE | 26 |
| 1 | 1 | 1 | - | B | | 240792-1 | DRAG, TERMINAL | 25 |
| | | | | | | | | 24 |
| 1 | 1 | 1 | - | A | | 679651-9 | GUIDE, STRIP (FRONT) | 23 |
| - | - | 1 | - | B | | 690472-2 | STRIPPER | 22 |
| REF | REF | REF | - | A | | 4-22284-9 | SPRING, FEED RETURN | 21 |
| 1 | 1 | 1 | - | A | | 679218-1 | STRIPPER WIRE STOP ASSY | 20 |
| 1 | 1 | 1 | - | B | | 458949-1 | STRIPPER | 19 |
| | | | | | | | | 18 |
| | | | | | | | | 17 |
| 1 | 1 | 1 | - | B | | 318563-1 | GUARD, CHIP, FRONT | 16 |
| | | | | | | | | 15 |
| | | | | | | | | 14 |
| | | | | | | | | 13 |
| 1 | 1 | 1 | - | A | | 6-22279-4 | SPRING, SHEAR | 12 |
| 1 | 1 | 1 | - | B | | 690461-1 | STOP, SHEAR | 11 |
| 1 | 1 | 1 | - | C | | 468798-1 | HOLDER, SHEAR (FRONT) | 10 |
| 1 | 1 | 1 | - | C | | 462006-3 | SHEAR, FLOAT (FRONT) | 9 |
| 1 | 1 | 1 | - | C | | 904717-3 | ANVIL | 8 |
| 1 | 1 | 1 | - | C | | 2-240641-9 | SPACER, DEPRESSOR (REAR) | 7 |
| | | | | | | | | 6 |
| 1 | 1 | 1 | - | C | | 1-455889-8 | DEPRESSOR, SHEAR (FRONT) | 5 |
| | | | | | | | | 4 |
| 1 | 1 | 1 | - | C | | 455888-7 | SPACER | 3 |
| 1 | 1 | 1 | - | C | | 2-455888-9 | SPACER | 2 |
| 1 | 1 | 1 | - | C | | 456415-4 | CRIMPER, WIRE | 1 |

| QTY | REF | REF | REF | U/M | DWG SIZE | PART NO | DESCRIPTION | ITEM NO |
|-----|-----|-----|-----|----------|----------|---------|-------------|---------|
| -3 | -2 | -1 | U/M | DWG SIZE | | PART NO | DESCRIPTION | ITEM NO |