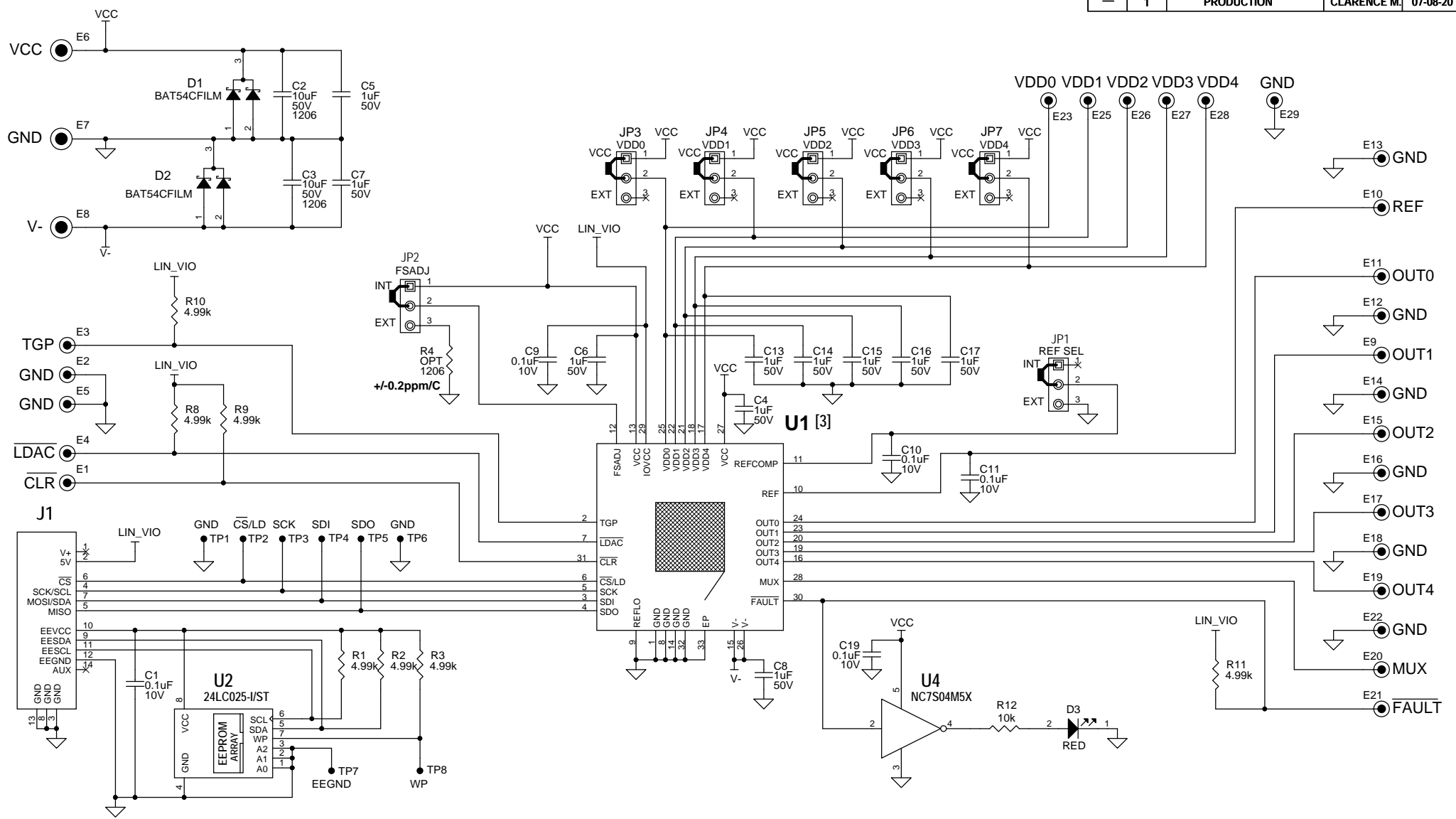



REVISION HISTORY				
ECO	REV	DESCRIPTION	APPROVED	DATE
-	1	PRODUCTION	CLARENCE M.	07-08-20



**NOTE: UNLESS OTHERWISE SPECIFIED**

1. ALL CAPACITORS ARE IN MICROFARADS, 0603.
2. INSTALL SHUNTS AS SHOWN.
- [3]. ASSEMBLY TABLE:

ASSY. TYPE	U1	SUFFIX	-Bit
DC2903A-A	LTC2672-16	16	16
DC2903A-B	LTC2672-12	12	12

CUSTOMER NOTICE		APPROVALS		 <b>ANALOG DEVICES</b> <small>AHEAD OF WHAT'S POSSIBLE™</small>	1630 McCarthy Blvd. Milpitas, CA 95035 Tel: (408) 432-1900 www.analog.com	
<small>ANALOG DEVICES HAS MADE A BEST EFFORT TO DESIGN A CIRCUIT THAT MEETS CUSTOMER - SUPPLIED SPECIFICATIONS; HOWEVER, IT REMAINS THE CUSTOMER'S RESPONSIBILITY TO VERIFY PROPER AND RELIABLE OPERATION IN THE ACTUAL APPLICATION. COMPONENT SUBSTITUTION AND PRINTED CIRCUIT BOARD LAYOUT MAY SIGNIFICANTLY AFFECT CIRCUIT PERFORMANCE OR RELIABILITY. CONTACT ANALOG DEVICES APPLICATIONS ENGINEERING FOR ASSISTANCE.</small>		PCB DES.	KIM T.		TITLE: SCHEMATIC	5-CHANNEL, 16-/12-BIT SPI CURRENT OUTPUT DAC WITH INTERNAL REFERENCE
		APP ENG.	CLARENCE M.	SIZE		
<small>ADI CONFIDENTIAL - FOR CUSTOMER USE ONLY          THIS CIRCUIT IS PROPRIETARY TO ANALOG DEVICES AND SUPPLIED FOR USE WITH ANALOG DEVICES PARTS.</small>				N/A	LTC2672IUH-16/-12	1
		SCALE = NONE		DATE:	Wednesday, July 08, 2020	SHEET 1 OF 1