

D

C

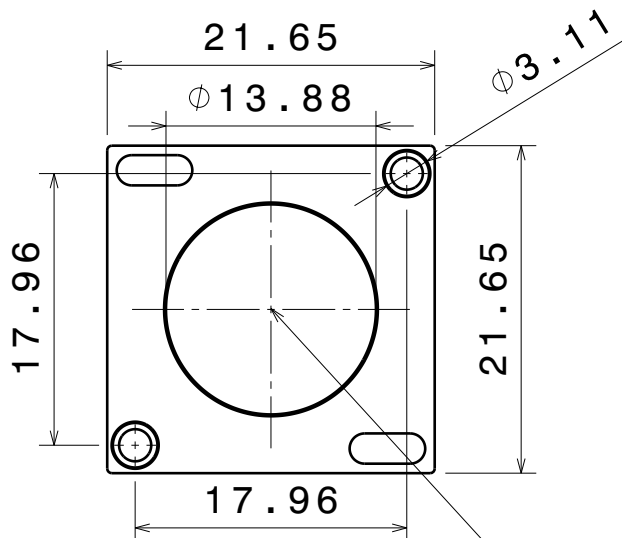
B

A

Note:
Avoid applying pressure on the centre
of the lens during installation

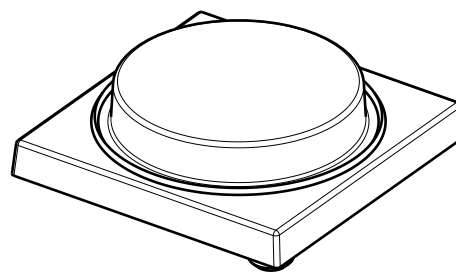
DATE

02.03.2021

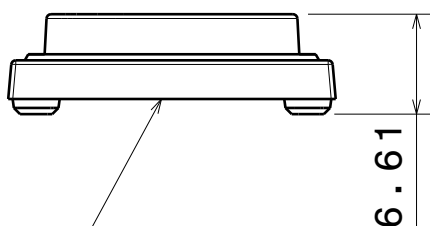


Bottom view
Scale: 2:1

LED position



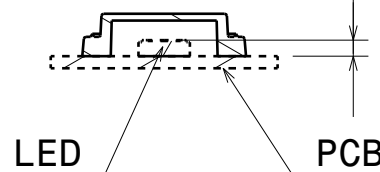
Isometric View
Scale: 2:1



Front View
Scale: 2:1

PCB top surface

LED position:
The recommended tolerance
in z-position is ± 0.1 mm



PART	TYPE	MATERIAL	COLOR / COATING
F17822_VIOLETTA-S			

MECHANICAL DRAWING

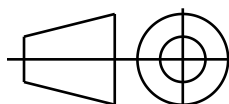
PRODUCT

VIOLETTA

LEDiL[®]

Plastic moulding general tolerances according to DIN 16901-130 and applies if not otherwise shown in the drawing. Silicone moulding general tolerances according to ISO 3302-1 Class M3 and applies if not otherwise shown in the drawing.

FIRST ANGLE PROJECTION:



This drawing is the property of LEDiL Oy. It may not be copied or otherwise distributed without prior written permission from LEDiL Oy.

SCALE 2:1

WEIGHT 1.3g

A4 SHEET 1/1

D

A