

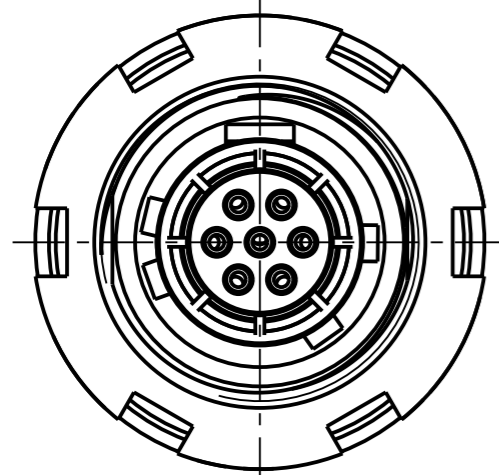
Fuer diese Unterlage behalten wir uns alle Rechte vor, auch fuer den Fall der Patenterteilung oder Gebrauchsmustereintragung. Sie darf ohne unsere vorherige schriftliche Zustimmung weder vervielfaeltigt noch sonstwie benutzt, noch Dritten zugaenglich gemacht werden.

Nur rol gestempelte oder auf Laufkarte gedruckte Dokumente unterliegen dem Aenderungsdienst und sind zur Fertigung freigegeben. Only red stamped or on jobcard printed documents are managed. These documents are approved for production.

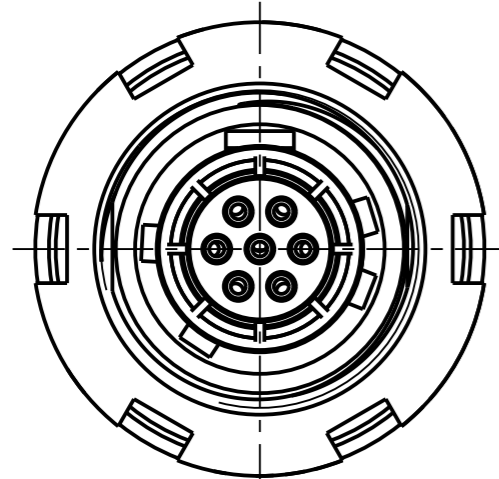
All Rights reserved, including possible patents or trademarks. Documents shall not be provided to a third party or duplicated in any form without prior written permission.

CAD: Creo Parametric

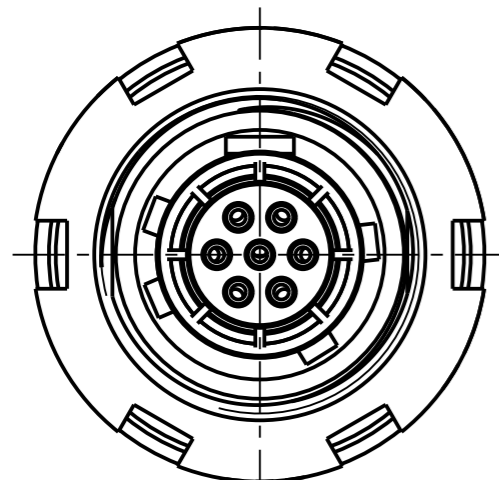
Additional coding
View in direction A



Ⓐ GKCWB-C-P07QB00-000L
Mechanical coding: B
Color coding: red

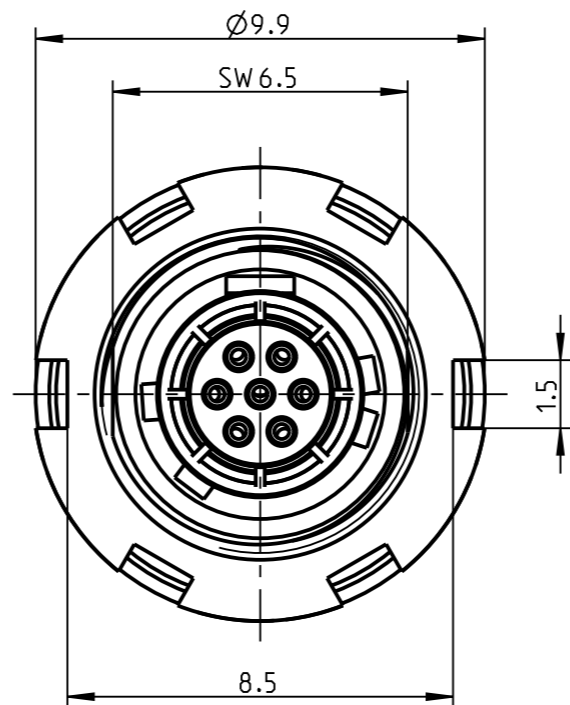
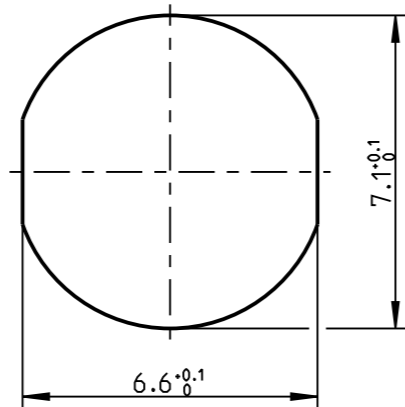


Ⓐ GKWC-C-P07QB00-000L
Mechanical coding: C
Color coding: blue

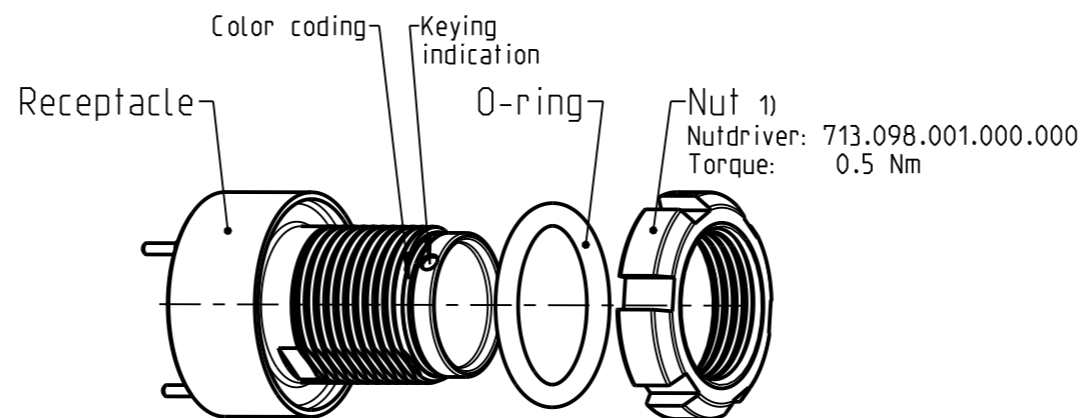


Ⓐ GKWD-C-P07QB00-000L
Mechanical coding: D
Color coding: green

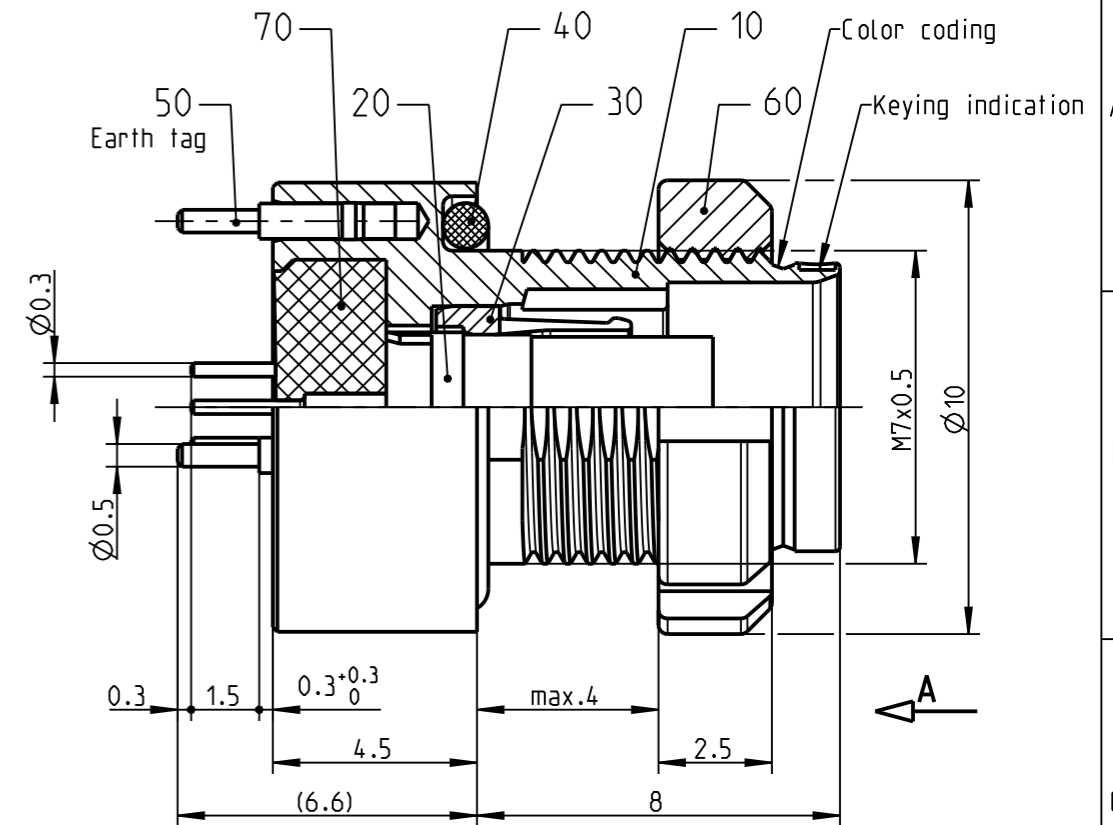
Panel cut-out



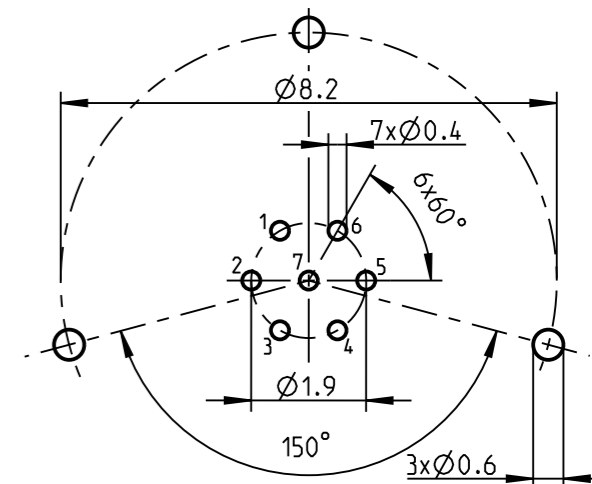
Ⓐ GKWA-C-P07QB00-000L
Mechanical coding: A
Color coding: light brown



Delivery condition
3:1



PCB-Layout
View in mating direction A
8:1



Technical information

- Print contacts 3)
- Current load: $1A @ \Delta t 40^\circ$ (Single contact)
- Test voltage: 750V (acc. SAE AS 13441:1998, Contact to contact)
- Rated voltage: 250V (acc. SAE AS 13441:1998) 2)

1) ODU recommend an additional locking of the nut with adhesive (e.g. Loctite 2701) to the screw thread.

2) Maximal operating voltage at sea level up to 2.000 m. Rated voltage applies no other electrical safety standard. In case other standards rule a specific use of the connector, the application specific safety criteria shall be considered first. This must be evaluated in the frame of equipment engineering.

3) For pcb assembling see pcb assembly instruction 009.410.120.000.000

Bei den hier dargestellten ODU-Steckverbindern handelt es sich nach DIN EN 61984:2009 um Steckverbinder ohne Schaltleistung (COC) !
/the pictured ODU-connectors are in relation to DIN EN 61984:2009 connectors without switching capacity (COC) !

| | | | | | |
|--|--|---|--|------------------------------------|--|
| | | Benennung/description: Gerateteil cpl. Receptacle | | Werkstoff: material: see BOM | |
| Allgemeintoleranz/general tol.: DIN ISO 2768-mH Tolerierung / Tolerancing: DIN ISO 8015 | | CAD-Nr.: design-ID: 00101740 | | Maßstab: scale: 6:1 | |
| Status/state: Approved | | Version: revision: A | | Format: size: A3 | |
| Erstellt/prepared 14.01.2016 spantze | | Teile-ID: part-ID: | | Einheit: dim.: mm | |
| Geaendert/revised 20.02.2017 cbauer | | Oxaion-Nr.: Ⓐ GKCW_C-P07QB00-000L | | Bl.: sheet: 1 | |
| Freigabe/released 21.02.2017 mmeier | | Ursprung/origin.: | | | |
| ODU-MUEHL DORF Datum/date | | Name/name | | | |