

P1 Self-powered RF Transmitter

Product Specification

Modify Record

Serial no.	Version	Date	Modify Content
1	V1.0	2019-09-02	Initial Version

1. Product Overview

1.1 Product Introduction

The P1 wireless kinetic energy switch is a self-generating wireless switch with a built-in energy acquisition module, which converts the mechanical energy pressed by the finger into electrical energy, and the electrical energy drives the wireless signal transmission. By matching with EBELONG wireless controller, P1 wireless kinetic energy switch can realize on-off control and dimming control of lamps.

1.2 Product Image



2. Product Features

2.1 Pair with EBELONG Wireless Receiver Controller

2.1.1 Regular Pairing

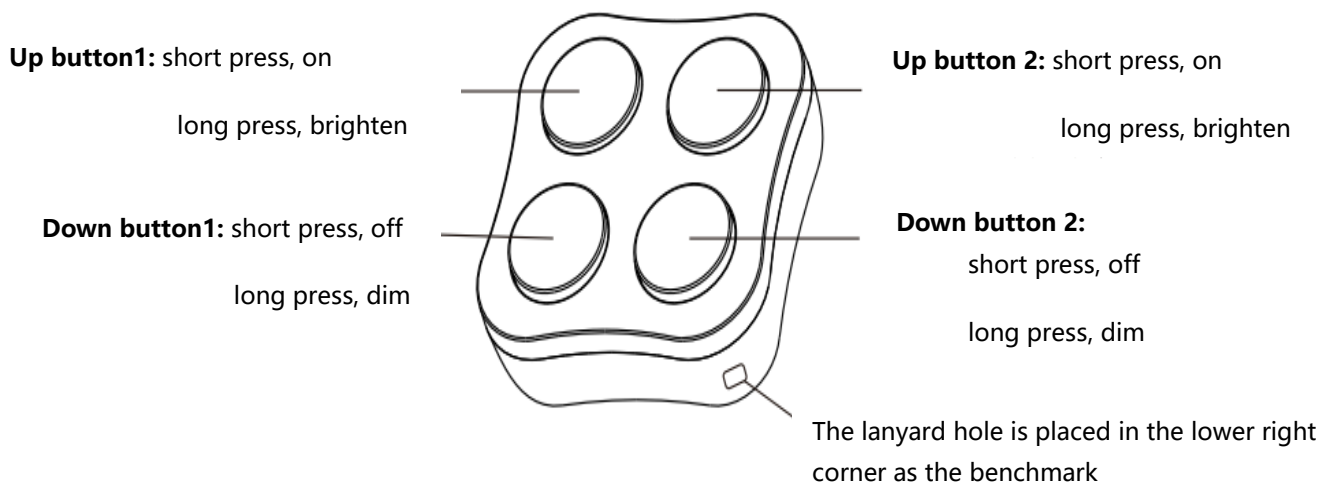
The P1 switch can be paired with the wireless controller. The pairing method is to press and hold the "pairing button" on the controller for about 3 seconds, release the button when the indicator light flashes, and then press the corresponding button of the P1 switch once (do not Press continuously and quickly), the indicator light is off, indicating that the pairing is successful,

you can use this button to control the on and off of the wireless controller. (For the function introduction of the controller, please refer to the corresponding manual of the wireless receiver controller)

2.1.2 Directional Pairing

In order to conform to the user's traditional usage habits and ensure the synchronization of on and off of multiple controllers in one control and multi-mode, the directional pairing mode of the switch can be used. The pairing method of directional pairing is to press and hold the "pairing button" on the controller for about 3 seconds, release the button when the indicator light flashes, press any button of the P1 switch four times (within 1 second). If the indicator light of the device is off, the pairing is successful.

After the pairing is successful, press the up button to turn on, and press the down button to turn off. If it is used for dimming, long press the up button to brighten, and long press the down button to dim. In the directional mode, the 4 buttons of the P1 switch are divided into two independent groups. The lanyard hole is placed in the lower right corner as the benchmark, and the upper and lower buttons are a group. The two groups of buttons have the same directional pairing method. Show:



2.2 Technical Parameters

Project	Parameters
Working Type	Push button
Power Supply	Self-powered
Modulation System	FSK
Radio Frequency	RF 433MHz
Keys Quantity	4key
Operate Range	100m(outdoors), 30m(indoors)
Life Time	> 100,000 times
Dimension	L54.08*W54.08*H20.53mm
Working Temperature	-20~55°C
Casing Material	PC
Switching Mode	Hand held/magnetic suction fixed on base

3. Installation Instructions

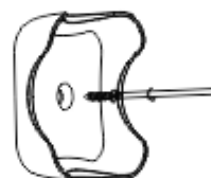
In addition to direct hand-held operation, P1 switches can also be placed in a special switch base (fixed by magnetic attraction, and the switch base is an optional component). There are two ways to install the base: use the 3M glue included in the package. Paste it on a stable and clean surface such as glass and marble (common way), or use screws to fix the expanding rubber particles on the wall. The installation method is as follows.

Step 1: Use 3M glue to stick to a stable clean surface, or screw it to the wall



Fixed method 1:

Use 3M glue to stick to a stable and clean surface



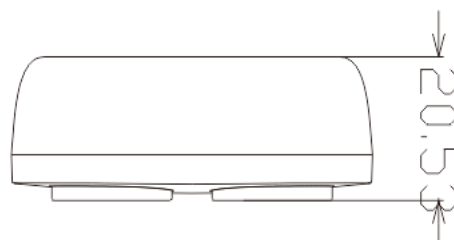
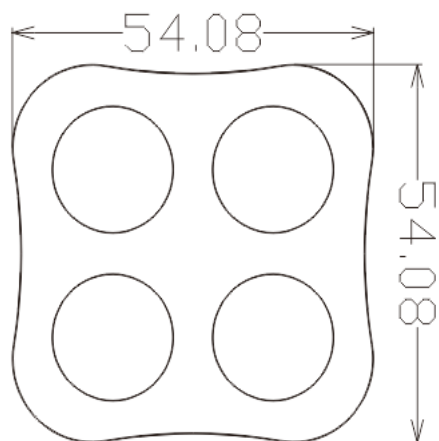
Fixed method 2:

Use screws to fix the expansion particles on the wall

Step 2: Just attach the P1 switch to the base by magnetic attraction (there are magnets inside the P1 switch and the base)

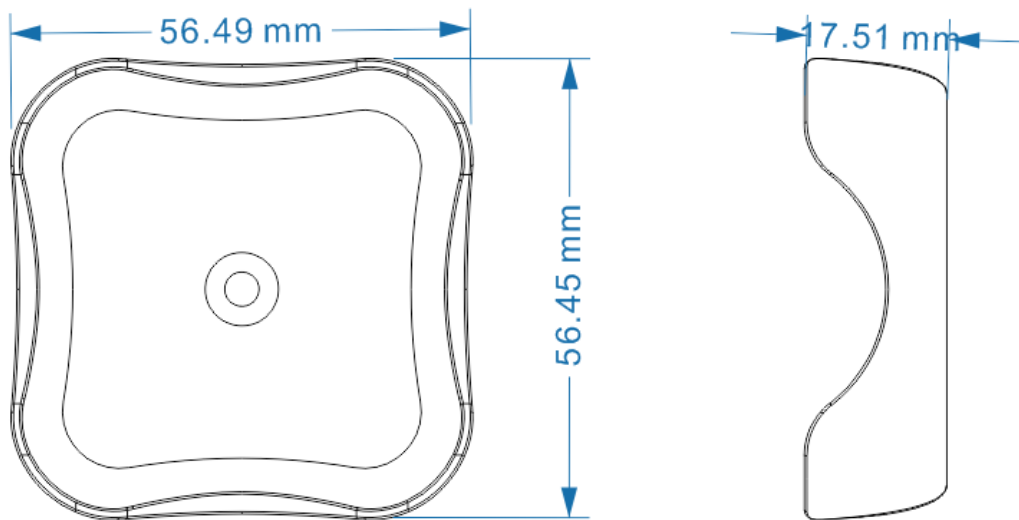


4. Product Dimensions



单位：mm

Dimensions of Switch



Dimensions of Switch