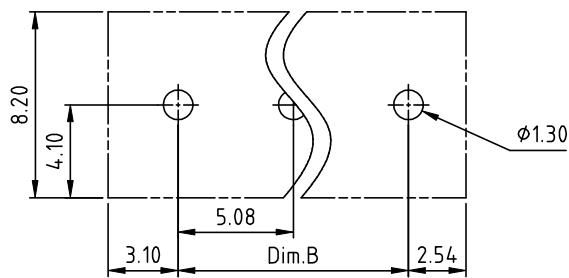
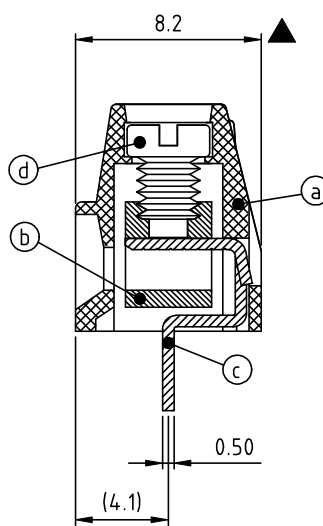
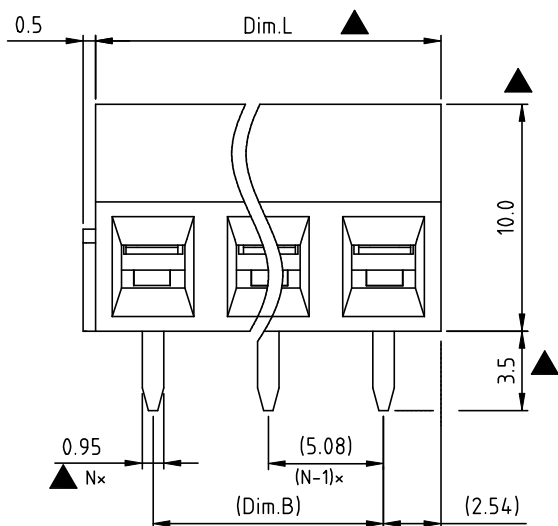
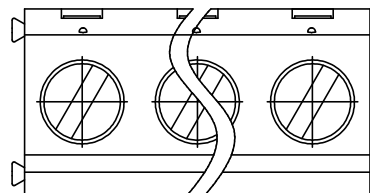


RoHS Compliant



P.C.B LAYOUT  
TOP VIEW

N=Number of Poles  
Dim.L=Nx5.08  
Dim.B=(N-1)x5.08

Poles Dim.	2~8P	9~15P	16~24P
Dim.B	±0.20	±0.30	±0.40
Dim.L	±0.20	±0.30	±0.40

Rev.	SIGN	DATE	DESCRIPTION	APPROVER
G	△	01/18'07	Soldering temperature changed from 245° to 250°	Tason
	△	01/18'07	Part NO is Changed	Tason
	△	01/08'09	Temperature changed from -30°C~+105°C to -40°C~+115°C	Kind
H	△	01/08'09	Terminal screw changed from M2.5 to M3.0	Kind
	△	04/26'19	Add the Rohs compliant & Amphenol logo.	Guoxue
	△	04/26'19	Add the "color code"	Guoxue
	△	04/26'19	Update the "RoHS compliant"	Guoxue
	△	04/26'19	Add the "Wave Soldering temperature: 260°C±5°C/5 Sec"	Guoxue
	△	04/26'19	Add the "Reference dimension & Critical dimension"	Guoxue

THIS IS CAD DRAWING, DO NOT REVISE MANUALLY!!!

- Material:
- Item ① Terminal housing : Thermoplastic (UL 94V-0)
  - Item ② Clamp : Brass ,Ni plated
  - Item ③ Wire guard solder pin : Brass ,Tin plated
  - Item ④ Terminal screw: Steel Zinc plating"- "slot type

- Electrical UL
- Voltage rating: 300VAC
  - Current rating: 10A
  - Wire range:
    - Solid wire(AWG): 16-26
    - Stranded wire(AWG): 16-26
  - Torque(Lb-In): 3.5
  - △ ● Screw: M3.0
    - Wire strip length: 6-7mm
    - Withstanding Voltage: 1.6KV
  - △ ● Operating temperature: -40°C to +115°C
  - △ ● Wave Soldering temperature: 260°C±5°C/5 Sec
  - Safety Approval:
  - △ ● Critical dimension: ▲
  - △ ● Reference dimension: ( × ) The dimensions of pitch are just for reference, take the actual assembly result as a judgment when inserting the terminal block into the PCB hole.

△ YC xx 21 x 0 xxxx G		RoHS compliant (lead<4%) in copper Alloy
02 2 POLES	0 Black (RAL9005)	0000:"@ "Logo (Standard) 000A:"ANYTEK" Logo Any special item by customer request, please contact sales department.
03 3 POLES	2 Red (RAL3001/D)	
...	3 Orange(RAL2011/P)	
24 24 POLES	4 Yellow(RAL1018/A)	
	5 Green(RAL6018/T)	
	6 Blue (RAL5015/A)	
	8 Grey(RAL7035/D)	
	C Green(RAL6018/U)	



**Amphenol**  
**ANYTEK**

**CUSTOMER COPY**

ALL RIGHTS RESERVED. REPRODUCTION OR ISSUE TO THIRD PARTIES IN ANY FORM WHATSOEVER IS NOT PERMITTED WITHOUT WRITTEN AUTHORITY FROM THE PROPRIETOR. PROPERTY OF ANYTEK TECHNOLOGY CO., LTD

TITLE				YC 5.08 Series		
PART NO.		YCxx21x0xxxxG		DWG NO.		8YC0001
APPROVED		CHECKED	DESIGNED	DRAWN	CUST NO.	
			Guoxue 2009.04.26	Guoxue 2009.04.26		
				SHEET: 01/01		Tolerance X.X ±0.50 X.XX ±0.30 X.XX ±0.10 X° ±1°
				UNIT: mm		
				SCALE: NONE		
				REV.: H		