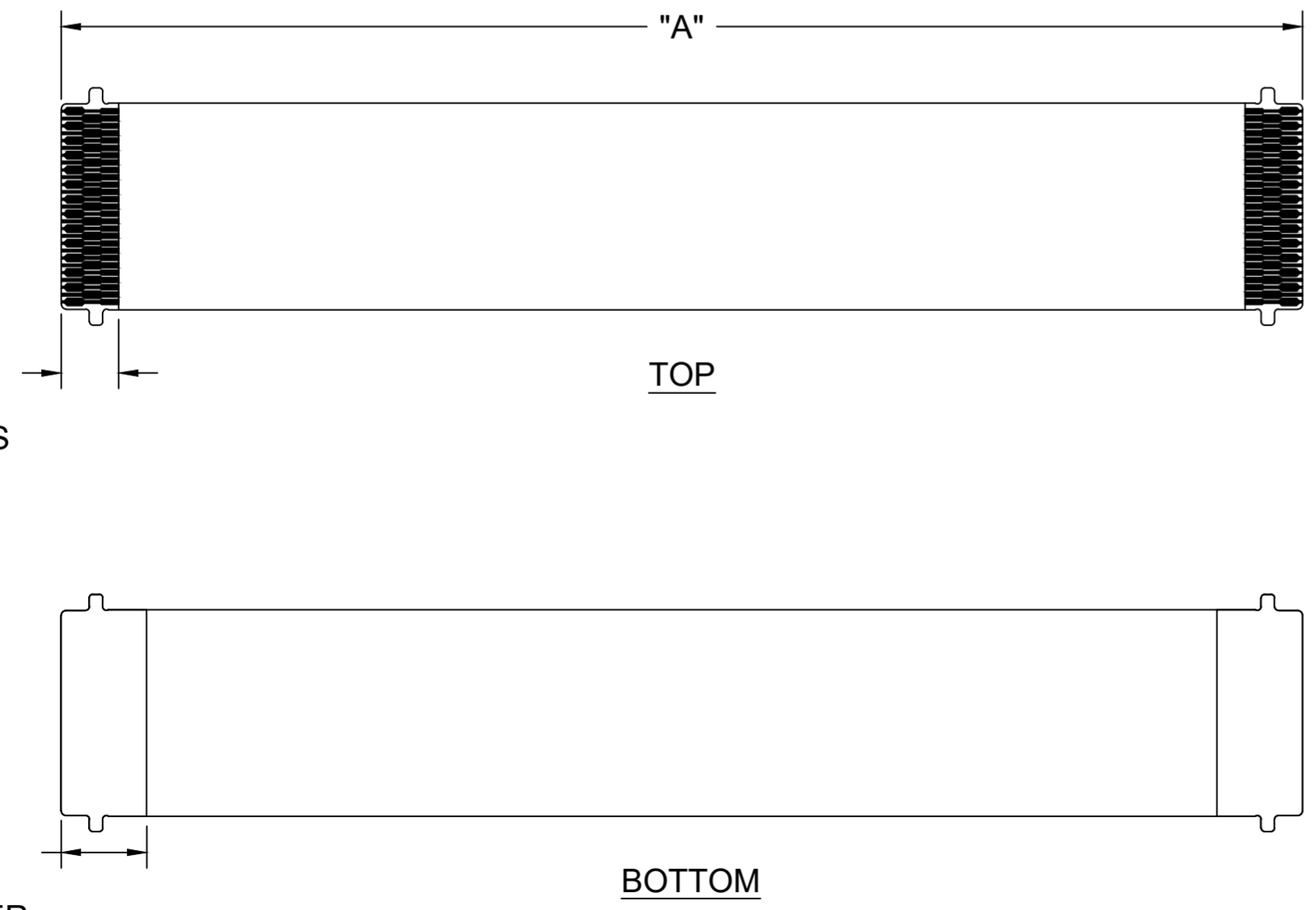
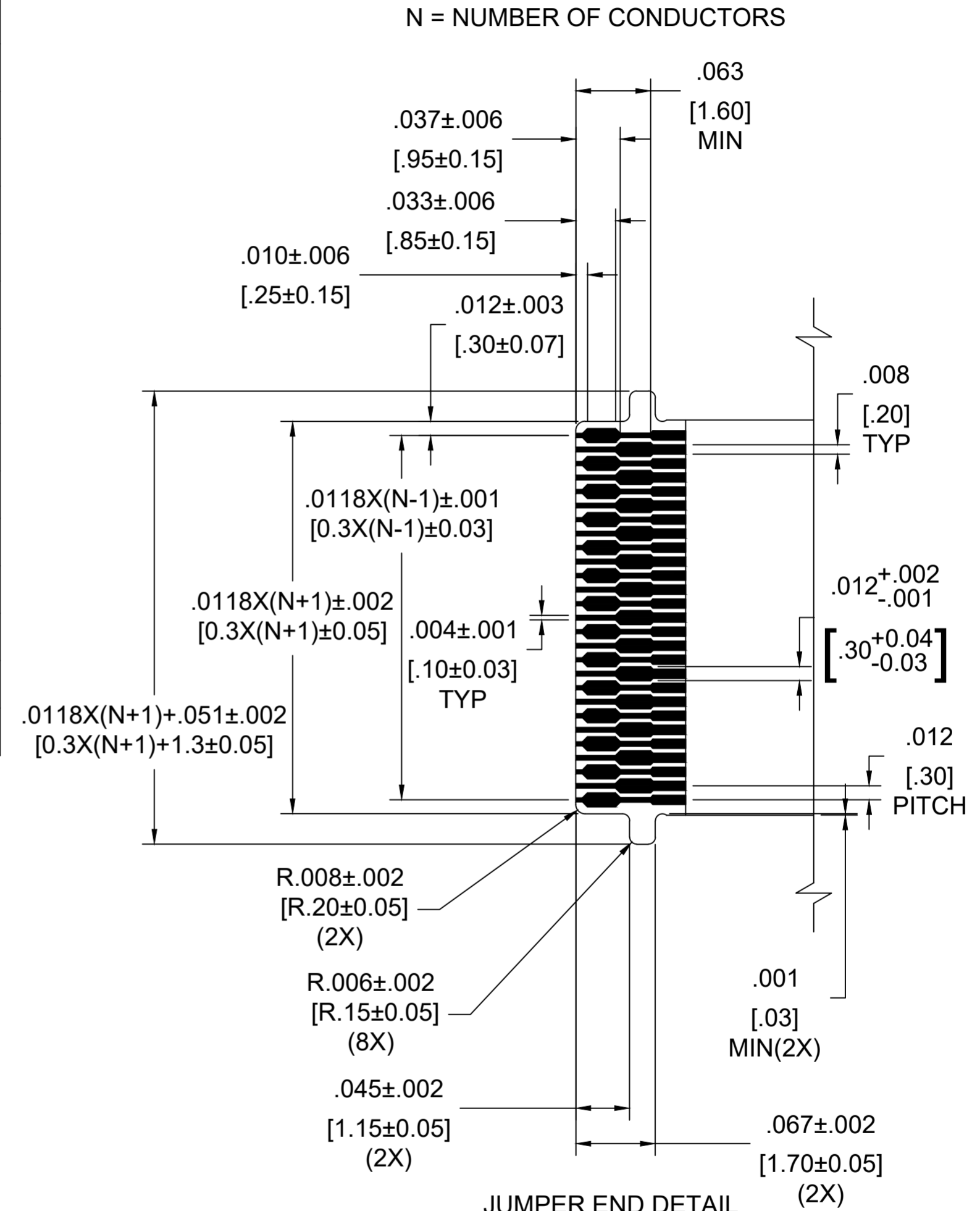


# 0.30MM CENTER FFC JUMPER CABLE CHART

| "A" DIM. | 2 ± .08 INCHES<br>51 ± 2 MM | 4 ± .16 INCHES<br>102 ± 4 MM | 6 ± .16 INCHES<br>152 ± 4 MM | 8 ± .20 INCHES<br>203 ± 5 MM | 10 ± .20 INCHES<br>254 ± 5 MM | 12 ± .20 INCHES<br>305 ± 5 MM |
|----------|-----------------------------|------------------------------|------------------------------|------------------------------|-------------------------------|-------------------------------|
| CKTS: 9  | 150320209                   | 150320409                    | 150320609                    | 150320809                    | 150321009                     | 150321209                     |
| CKTS: 11 | 150320211                   | 150320411                    | 150320611                    | 150320811                    | 150321011                     | 150321211                     |
| CKTS: 13 | 150320213                   | 150320413                    | 150320613                    | 150320813                    | 150321013                     | 150321213                     |
| CKTS: 15 | 150320215                   | 150320415                    | 150320615                    | 150320815                    | 150321015                     | 150321215                     |
| CKTS: 17 | 150320217                   | 150320417                    | 150320617                    | 150320817                    | 150321017                     | 150321217                     |
| CKTS: 19 | 150320219                   | 150320419                    | 150320619                    | 150320819                    | 150321019                     | 150321219                     |
| CKTS: 21 | 150320221                   | 150320421                    | 150320621                    | 150320821                    | 150321021                     | 150321221                     |
| CKTS: 23 | 150320223                   | 150320423                    | 150320623                    | 150320823                    | 150321023                     | 150321223                     |
| CKTS: 25 | 150320225                   | 150320425                    | 150320625                    | 150320825                    | 150321025                     | 150321225                     |
| CKTS: 27 | 150320227                   | 150320427                    | 150320627                    | 150320827                    | 150321027                     | 150321227                     |
| CKTS: 31 | 150320231                   | 150320431                    | 150320631                    | 150320831                    | 150321031                     | 150321231                     |
| CKTS: 33 | 150320233                   | 150320433                    | 150320633                    | 150320833                    | 150321033                     | 150321233                     |
| CKTS: 35 | 150320235                   | 150320435                    | 150320635                    | 150320835                    | 150321035                     | 150321235                     |
| CKTS: 37 | 150320237                   | 150320437                    | 150320637                    | 150320837                    | 150321037                     | 150321237                     |
| CKTS: 39 | 150320239                   | 150320439                    | 150320639                    | 150320839                    | 150321039                     | 150321239                     |
| CKTS: 41 | 150320241                   | 150320441                    | 150320641                    | 150320841                    | 150321041                     | 150321241                     |
| CKTS: 43 | 150320243                   | 150320443                    | 150320643                    | 150320843                    | 150321043                     | 150321243                     |
| CKTS: 45 | 150320245                   | 150320445                    | 150320645                    | 150320845                    | 150321045                     | 150321245                     |
| CKTS: 51 | 150320251                   | 150320451                    | 150320651                    | 150320851                    | 150321051                     | 150321251                     |

- NOTES:**
- SUBSTRATE AND COVERLAY MATERIAL IS .001" [25um] POLYIMIDE.
  - CONDUCTOR IS 1/2 OZ (.0007") [18um] COPPER.
  - PLATING IS 2 MICRO INCHES MINIMUM OF HARD GOLD OVER 100 MICRO INCHES MINIMUM OF NICKEL.
  - TAIL ENDS ARE .008±.001 [0.20±0.03] THICK.
  - JUMPER CABLES ARE SUITABLE FOR USE WITH MOLEX 503566 SERIES CONNECTOR.



|                    |   |                        |                                      |            |
|--------------------|---|------------------------|--------------------------------------|------------|
| FUNCTIONAL SYMBOLS | THIS DRAWING CONTAINS INFORMATION THAT IS PROPRIETARY TO MOLEX ELECTRONIC TECHNOLOGIES, LLC AND SHOULD NOT BE USED WITHOUT WRITTEN PERMISSION |                        | CURRENT REV DESC: PRODUCTION RELEASE |            |
|                    | DIMENSION UNITS   | SCALE                  |                                      |            |
|                    | MM/INCH   | 4:1                    |                                      |            |
| DIVISIONAL SYMBOLS | GENERAL TOLERANCES (UNLESS SPECIFIED)   |                        | EC NO: 701160                        |            |
|                    |   |                        | DRWN: MIMIG                          | 2022/03/28 |
|                    | 4 PLACES  | ±----                  | CHK'D: JSMITH11                      | 2022/03/30 |
|                    | 3 PLACES  | ±----                  | APPR: JSMITH11                       | 2022/03/30 |
|                    | 2 PLACES  | ±----                  | INITIAL REVISION:                    |            |
| 1 PLACE            | ±----   | DRWN: MIMIG            | 2022/03/28                           |            |
| 0 PLACES           | ±----   | APPR: JSMITH11         | 2022/03/30                           |            |
|                    | ANGULAR TOL ± 1.0 °   | THIRD ANGLE PROJECTION | DRAWING                              | SERIES     |
|                    | DRAFT WHERE APPLICABLE MUST REMAIN WITHIN DIMENSIONS  |                        | C-SIZE                               | 15032      |
| DOCUMENT STATUS    | P1  | RELEASE DATE           | 2022/03/30                           | 23:34:45   |
| 150320001          |   | PSD                    | 000                                  | A          |
| SEE CHART          | GENERAL MARKET  | 1 OF 1                 |                                      |            |