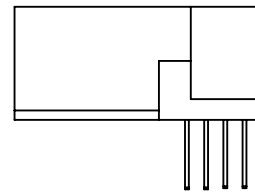
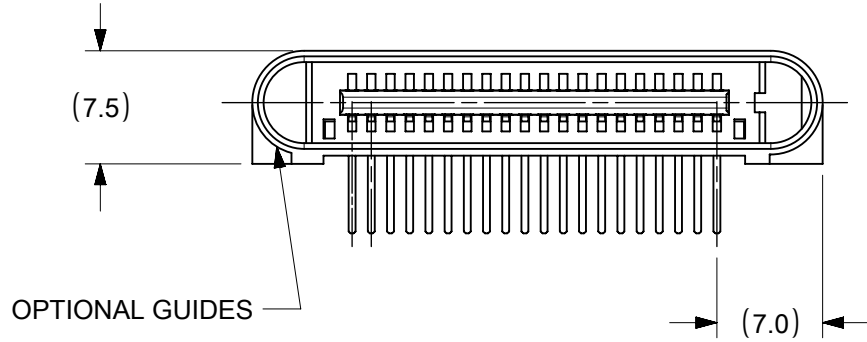
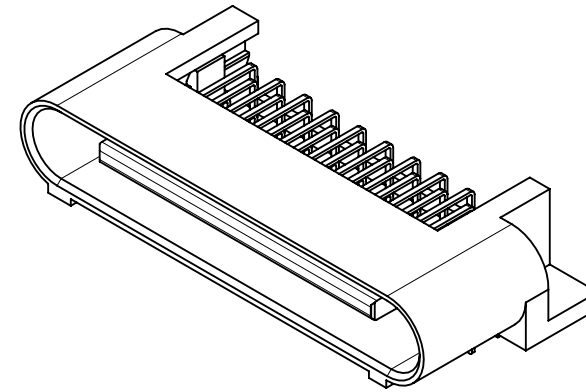
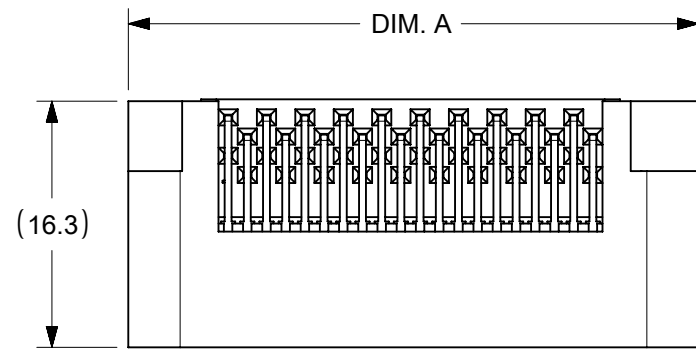


NO OF SIGNAL	MATERIAL NUMBER	DIM A	DIM P	PCB THK
12	45985-0111	12.5	4.50	3.18
16	45985-0121	15.0		
20	45985-0131	17.6		
24	45985-0141	20.1		
28	45985-0151	22.6		
32	45985-0161	25.2	3.60	2.36
36	45985-0171	27.7		
40	45985-0181	30.3		
12	45985-0112	12.5		
16	45985-0122	15.0		
20	45985-0132	17.6	2.90	1.57
24	45985-0142	20.1		
28	45985-0152	22.6		
32	45985-0162	25.2		
36	45985-0172	27.7		
40	45985-0182	30.3	2.90	1.57
12	45985-0113	12.5		
16	45985-0123	15.0		
20	45985-0133	17.6		
24	45985-0143	20.1	2.90	1.57
28	45985-0153	22.6		
32	45985-0163	25.2		
36	45985-0173	27.7		
40	45985-0183	30.3		

NOTES:

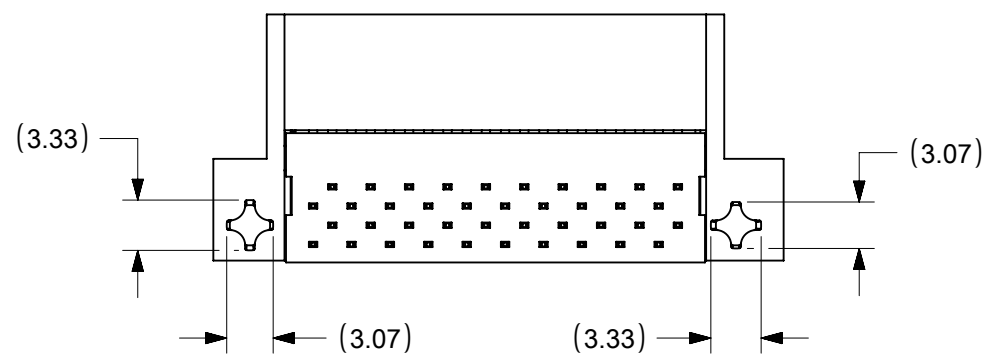
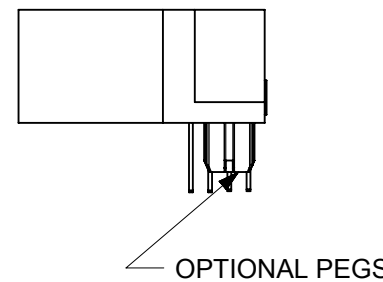
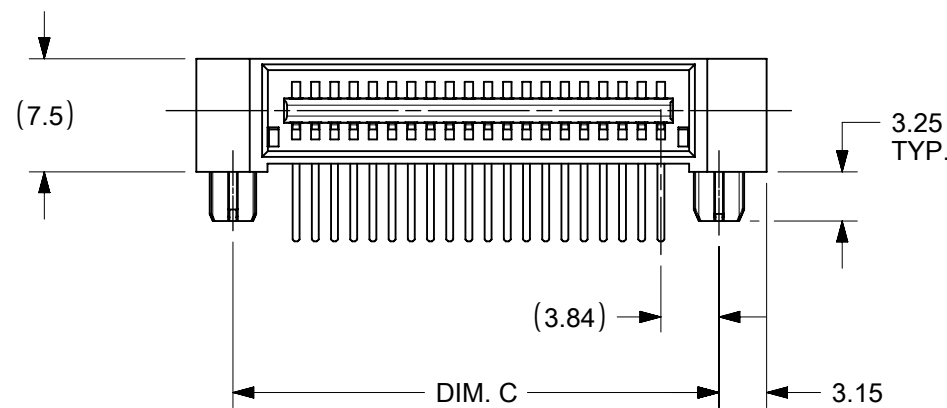
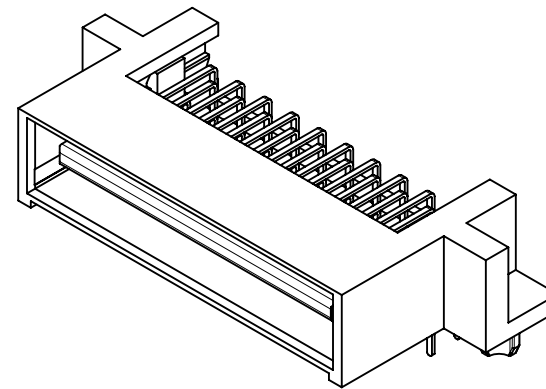
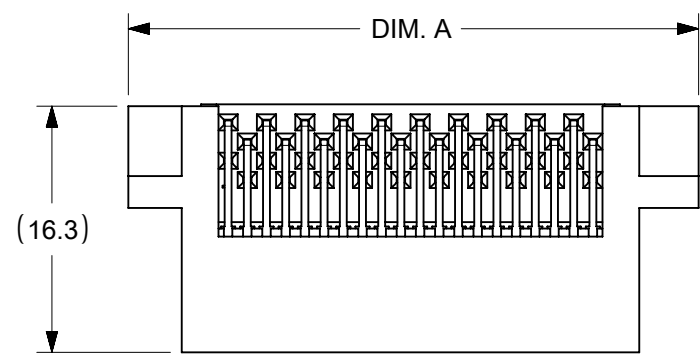
- MATERIAL:
HOUSING: GLASS FILLED LCP (LIQUID CRYSTAL POLYMER); UL94V-0; COLOR: BLACK
TERMINALS: COPPER ALLOY
- PLATING: 0.76 MICROMETER / (30 MICROINCH) MINIMUM SELECT GOLD
3.81 MICROMETER / (150 MICROINCH) MINIMUM SELECT TIN, BOTH OVER
1.27 MICROMETER / (50 MICROINCH) MINIMUM NICKEL OVERALL.
- PRODUCT SPECIFICATION: PS-45984-001.
- PACKAGING SPECIFICATION: PK-45984-001.
- SEE SHEET 5 FOR CIRCUIT IDENTIFICATION.
- PARTS ARE RoHS COMPLIANT.
- MATES WITH 45984, 46113 SERIES RECEPTACLE.

SYMBOLS	THIS DRAWING CONTAINS INFORMATION THAT IS PROPRIETARY TO MOLEX ELECTRONIC TECHNOLOGIES, LLC AND SHOULD NOT BE USED WITHOUT WRITTEN PERMISSION		CURRENT REV DESC: CIRCUIT NO. 1 AND 2 ON PCB ARE CORRECTED					
	DIMENSION UNITS	SCALE						LPH PLUG ASSEMBLY SIGNAL CONNECTOR
▽ = 0	mm	2:1	EC NO: 676774			PRODUCT CUSTOMER DRAWING		
▽ = 0	GENERAL TOLERANCES (UNLESS SPECIFIED)		DRWN: CHETAB 2021/09/02			DOCUMENT NUMBER		
▽ = 0			CHK'D: MBELLE 2021/09/07			SD-45985-483		
▽ = 0			APPR: HTHYAGARAJ 2021/09/09			DOC TYPE DOC PART REVISION		
▽ = 0	4 PLACES ±	±	INITIAL REVISION:			PSD 001 D1		
▽ = 0	3 PLACES ±	±	DRWN: BANDURA 5/1/2006			MATERIAL NUMBER		
▽ = 0	2 PLACES ±	± 0.25	APPR: PATEL 5/5/2006			CUSTOMER		
▽ = 0	1 PLACE ±	±	DRAFT WHERE APPLICABLE MUST REMAIN WITHIN DIMENSIONS			SEE CHART		
▽ = 0	0 PLACES ±	±	THIRD ANGLE PROJECTION			GENERAL MARKET		
▽ = 0	ANGULAR TOL ± 0.5°		DRAWING			SHEET NUMBER		
▽ = 0			B-SIZE			1 OF 5		
▽ = 0			SERIES			45985		



NO OF SIGNAL	MATERIAL NUMBER	DIM A	DIM P	PCB THK
12	45985-0211	19.9	4.50	3.18
16	45985-0221	22.5		
20	45985-0231	25.0		
24	45985-0241	27.6		
28	45985-0251	30.1		
32	45985-0261	32.6	3.60	2.36
36	45985-0271	35.2		
40	45985-0281	37.7		
12	45985-0212	19.9		
16	45985-0222	22.5		
20	45985-0232	25.0	2.90	1.57
24	45985-0242	27.6		
28	45985-0252	30.1		
32	45985-0262	32.6		
36	45985-0272	35.2		
40	45985-0282	37.7	2.90	1.57
12	45985-0213	19.9		
16	45985-0223	22.5		
20	45985-0233	25.0		
24	45985-0243	27.6		
28	45985-0253	30.1	2.90	1.57
32	45985-0263	32.6		
36	45985-0273	35.2		
40	45985-0283	37.7		

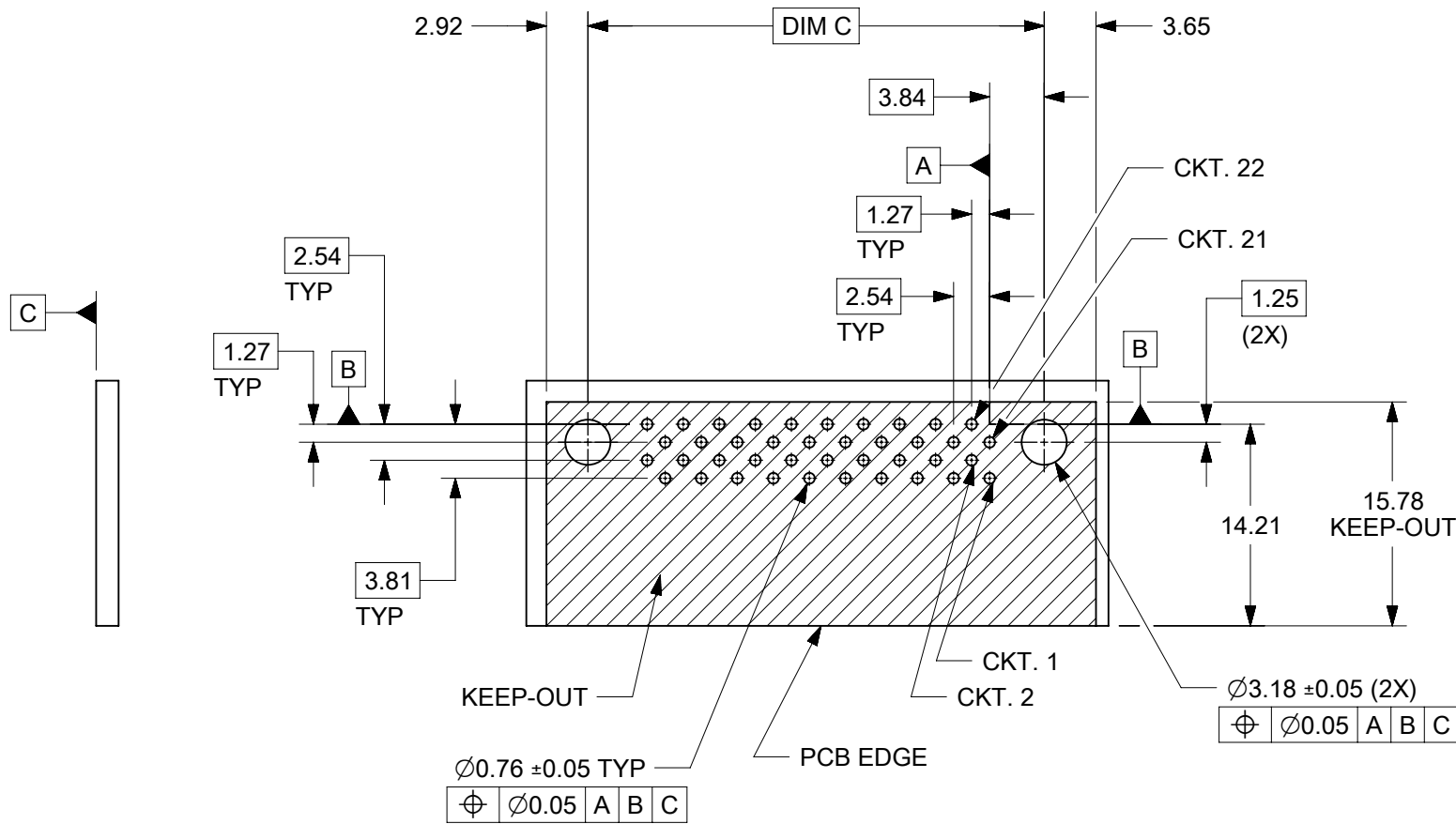
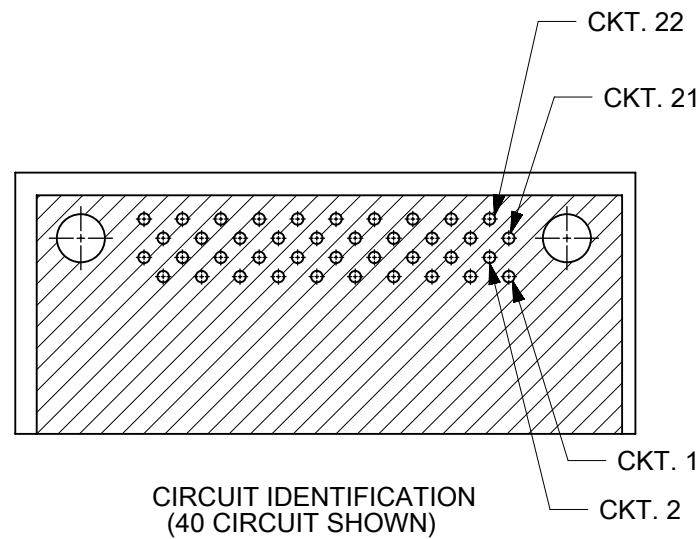
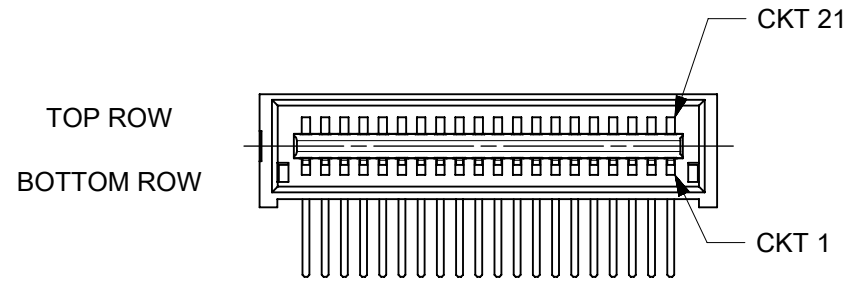
SYMBOLS	THIS DRAWING CONTAINS INFORMATION THAT IS PROPRIETARY TO MOLEX ELECTRONIC TECHNOLOGIES, LLC AND SHOULD NOT BE USED WITHOUT WRITTEN PERMISSION				
	DIMENSION UNITS	SCALE	CURRENT REV DESC: CIRCUIT NO. 1 AND 2 ON PCB ARE CORRECTED		
▽ = 0	mm	2:1	molex LPH PLUG ASSEMBLY SIGNAL CONNECTOR PRODUCT CUSTOMER DRAWING		
▽ = 0	GENERAL TOLERANCES (UNLESS SPECIFIED)				
▽ = 0		MM			INCH
▽ = 0	4 PLACES ±				
▽ = 0	3 PLACES ±				
▽ = 0	2 PLACES ±	0.25		EC NO: 676774 DRWN: CHETAB 2021/09/02 CHK'D: MBELLE 2021/09/07 APPR: HTHYAGARAJ 2021/09/09	
▽ = 0	1 PLACE ±			INITIAL REVISION: DRWN: BANDURA 5/1/2006 APPR: PATEL 5/5/2006	
▽ = 0	0 PLACES ±			DOCUMENT NUMBER: SD-45985-483 DOC TYPE: PSD DOC PART: 001 REVISION: D1	
▽ = 0	ANGULAR TOL ±	0.5°		MATERIAL NUMBER: SEE CHART CUSTOMER: GENERAL MARKET SHEET NUMBER: 2 OF 5	
▽ = 0	DRAFT WHERE APPLICABLE MUST REMAIN WITHIN DIMENSIONS		THIRD ANGLE PROJECTION	DRAWING: B-SIZE SERIES: 45985	



NO OF SIGNAL	MATERIAL NUMBER	DIM A	DIM C	DIM P	PCB THK
12	45985-0311	19.9	14.37	4.50	3.18
16	45985-0321	22.5	16.91		
20	45985-0331	25.0	19.45		
24	45985-0341	27.6	21.99		
28	45985-0351	30.1	24.53		
32	45985-0361	32.6	27.07	3.60	2.36
36	45985-0371	35.2	29.61		
40	45985-0381	37.7	32.15		
12	45985-0312	19.9	14.37		
16	45985-0322	22.5	16.91		
20	45985-0332	25.0	19.45	2.90	1.57
24	45985-0342	27.6	21.99		
28	45985-0352	30.1	24.53		
32	45985-0362	32.6	27.07		
36	45985-0372	35.2	29.61		
40	45985-0382	37.7	32.15		
12	45985-0313	19.9	14.37	2.90	1.57
16	45985-0323	22.5	16.91		
20	45985-0333	25.0	19.45		
24	45985-0343	27.6	21.99		
28	45985-0353	30.1	24.53		
32	45985-0363	32.6	27.07	2.90	1.57
36	45985-0373	35.2	29.61		
40	45985-0383	37.7	32.15		

SYMBOLS	THIS DRAWING CONTAINS INFORMATION THAT IS PROPRIETARY TO MOLEX ELECTRONIC TECHNOLOGIES, LLC AND SHOULD NOT BE USED WITHOUT WRITTEN PERMISSION		CURRENT REV DESC: CIRCUIT NO. 1 AND 2 ON PCB ARE CORRECTED				
	DIMENSION UNITS	SCALE					
▽ = 0	mm	2:1	EC NO: 676774			PRODUCT CUSTOMER DRAWING	
▽ = 0	GENERAL TOLERANCES (UNLESS SPECIFIED)		DRWN: CHETAB 2021/09/02			DOCUMENT NUMBER	
▽ = 0		MM	INCH	CHK'D: MBELLE 2021/09/07			DOC TYPE
▽ = 0	4 PLACES ±			APPR: HTHYAGARAJ 2021/09/09			DOC PART
▽ = 0	3 PLACES ±			INITIAL REVISION:			REVISION
▽ = 0	2 PLACES ± 0.25			DRWN: BANDURA 5/1/2006			SD-45985-483
▽ = 0	1 PLACE ±			APPR: PATEL 5/5/2006			
▽ = 0	0 PLACES ±			ANGULAR TOL ± 0.5°			001
▽ = 0	DRAFT WHERE APPLICABLE MUST REMAIN WITHIN DIMENSIONS		THIRD ANGLE PROJECTION	DRAWING	SERIES	MATERIAL NUMBER	CUSTOMER
▽ = 0				B-SIZE	45985	SEE CHART	GENERAL MARKET
							SHEET NUMBER
							3 OF 5

NO OF SIGNAL	DIM C
12	14.37
16	16.91
20	19.45
24	21.99
28	24.53
32	27.07
36	29.61
40	32.15



RECOMMENDED PCB LAYOUT SHOWN FROM COMPONENT SIDE

SYMBOLS = 0 = 0 = 0 = 0 = 0 = 0 = 0 = 0	THIS DRAWING CONTAINS INFORMATION THAT IS PROPRIETARY TO MOLEX ELECTRONIC TECHNOLOGIES, LLC AND SHOULD NOT BE USED WITHOUT WRITTEN PERMISSION		CURRENT REV DESC: CIRCUIT NO. 1 AND 2 ON PCB ARE CORRECTED		 LPH PLUG ASSEMBLY SIGNAL CONNECTOR PRODUCT CUSTOMER DRAWING																	
	DIMENSION UNITS: mm SCALE: 2:1		EC NO: 676774 DRWN: CHETAB 2021/09/02 CHK'D: MBELLE 2021/09/07 APPR: HTHYAGARAJ 2021/09/09			DOCUMENT NUMBER: SD-45985-483																
	GENERAL TOLERANCES (UNLESS SPECIFIED)		INITIAL REVISION: DRWN: BANDURA 5/1/2006 APPR: PATEL 5/5/2006			DOC TYPE: PSD DOC PART: 001 REVISION: D1																
	<table border="1"> <thead> <tr> <th></th> <th>MM</th> <th>INCH</th> </tr> </thead> <tbody> <tr> <td>4 PLACES ±</td> <td></td> <td></td> </tr> <tr> <td>3 PLACES ±</td> <td></td> <td></td> </tr> <tr> <td>2 PLACES ±</td> <td>0.25</td> <td></td> </tr> <tr> <td>1 PLACE ±</td> <td></td> <td></td> </tr> <tr> <td>0 PLACES ±</td> <td></td> <td></td> </tr> </tbody> </table>			MM		INCH	4 PLACES ±			3 PLACES ±			2 PLACES ±	0.25		1 PLACE ±			0 PLACES ±			MATERIAL NUMBER: SEE CHART CUSTOMER: GENERAL MARKET
	MM	INCH																				
4 PLACES ±																						
3 PLACES ±																						
2 PLACES ±	0.25																					
1 PLACE ±																						
0 PLACES ±																						