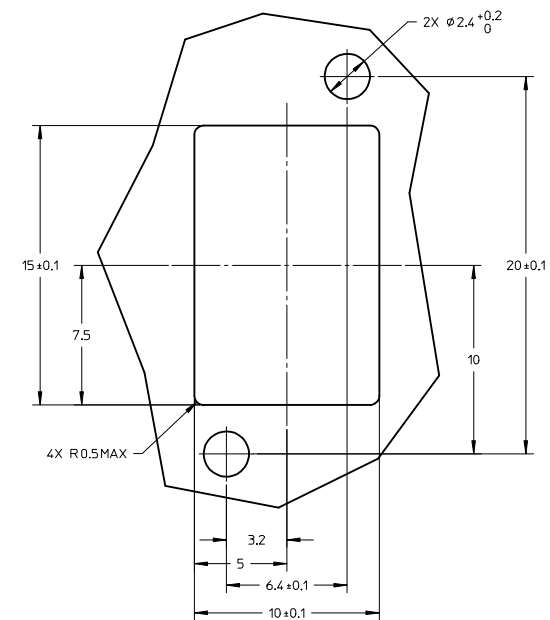
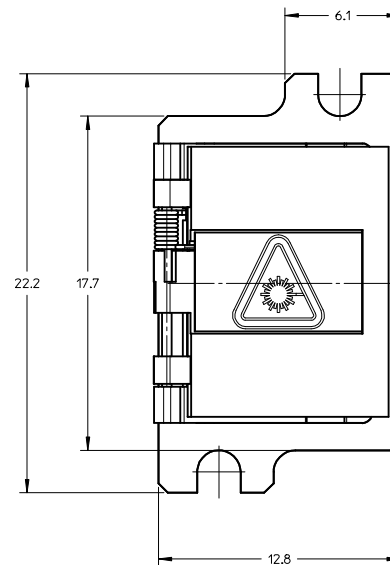
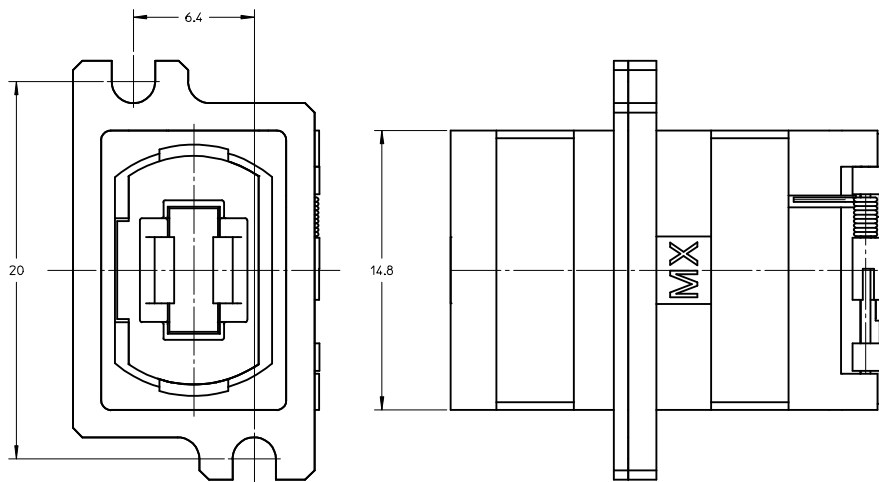
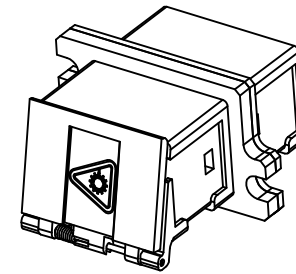
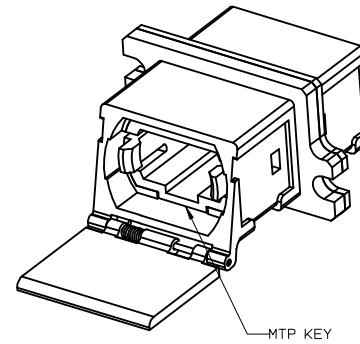
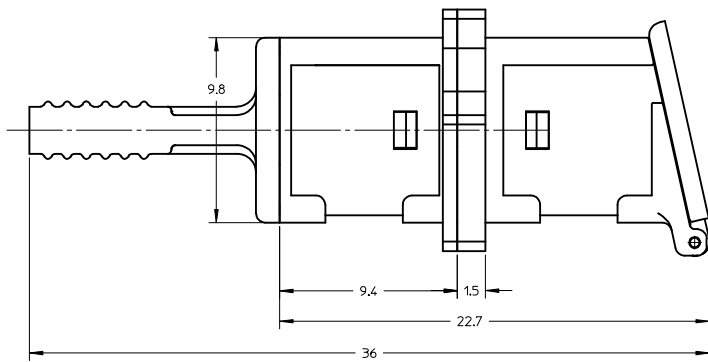


RECOMMENDED MOUNTING PATTERN

- NOTES:
 1. ALL DIMENSIONS ARE FOR REFERENCE ONLY.
 2. DUST CAP SHOWN IN TOP VIEW ONLY.
 3. ADAPTERS TO BE PACKAGED IN TRAY.

ENTER DESCRIPTION EC NO: MF2015-0579 DRW/MAGHAYERE 2015/04/14 CHKD: APPR: IGJMIN 2015/04/21	QUALITY SYMBOLS	GENERAL TOLERANCES (UNLESS SPECIFIED)		DIMENSION STYLE MM ONLY		SCALE 5:1	DESIGN UNITS METRIC	THIRD ANGLE PROJECTION	
	▽=0	4 PLACES ± ---	± INCH	DRAWN BY	DATE	TITLE			
	▽=0	3 PLACES ± ---	±	SMIGO	2013/03/12	MPO EMI ADAPTER MT TO MPO CONNECTION STAGGERED FLANGE			
	▽=0	2 PLACES ± ---	±	CHECKED BY	DATE	molex DOCUMENT NO. SD-106114-1160 SHEET NO. 1 OF 1			
	1 PLACE ± ---	±	VCHEN	2012/03/12					
	0 PLACE ± ---	±	APPROVED BY	DATE	THIS DRAWING CONTAINS INFORMATION THAT IS PROPRIETARY TO MOLEX INCORPORATED AND SHOULD NOT BE USED WITHOUT WRITTEN PERMISSION				
				WCHEN	2013/08/01				
				MATERIAL NO. 1061141160					
				ANGULAR ±1/2°					
				DRAFT WHERE APPLICABLE MUST REMAIN WITHIN DIMENSIONS					
				SIZE					
				C					



RECOMMENDED MOUNTING PATTERN

NOTES:

- 1. ALL DIMENSIONS ARE FOR REFERENCE ONLY.
- 2. DUST CAP SHOWN IN TOP VIEW ONLY.
- 3. ADAPTERS TO BE PACKAGED IN TRAY.

ENTER DESCRIPTION EC NO: MF2015-0579 DRAWN: MGHAYERE 2015/04/14 CHKD: APPR: IGJMIN 2015/04/21	QUALITY SYMBOLS	GENERAL TOLERANCES (UNLESS SPECIFIED)		DIMENSION STYLE MM ONLY		SCALE 5:1	DESIGN UNITS METRIC	THIRD ANGLE PROJECTION	
	▽=0	4 PLACES ±	mm	INCH	DRAWN BY	DATE	TITLE MPO EMI ADAPTER MT TO MPO CONNECTION STAGGERED FLANGE molex DOCUMENT NO. SD-106114-1160 SHEET NO. 1 OF 1		
	▽=0	3 PLACES ±			CHECKED BY	DATE			
	▽=0	2 PLACES ±			VCHEN	2012/03/12			
▽=0	1 PLACE ±			APPROVED BY	DATE				
REV		0 PLACE ±			WCHEN	2013/08/01			
A3		ANGULAR ±1/2°		MATERIAL NO. 1061141160					
		DRAFT WHERE APPLICABLE MUST REMAIN WITHIN DIMENSIONS		SIZE C		THIS DRAWING CONTAINS INFORMATION THAT IS PROPRIETARY TO MOLEX INCORPORATED AND SHOULD NOT BE USED WITHOUT WRITTEN PERMISSION			