

Y distributor - SAC-5PY-F/M-F VP SH - 1419933

Please be informed that the data shown in this PDF Document is generated from our Online Catalog. Please find the complete data in the user's documentation. Our General Terms of Use for Downloads are valid (<http://phoenixcontact.com/download>)




Y distributor, 5-position, shielded, Socket straight M12 SPEEDCON, A-coded, on Socket straight M12 SPEEDCON, A-coded and Plug straight M12 SPEEDCON, A-coded, Parallel distributor

Your advantages

- Reliable signal transmission - 360° shielding in environments with electromagnetic interference
- Save time, thanks to installation with SPEEDCON fast locking system



Key Commercial Data

Packing unit	5 pc
GTIN	 4 046356 528450
GTIN	4046356528450

Technical data

Dimensions

Center distance	21 mm
-----------------	-------

Ambient conditions

Ambient temperature (operation)	-25 °C ... 90 °C (Plug / socket)
Degree of protection	IP65/IP67

General

Rated current at 40°C	4 A
Rated voltage	48 V AC 60 V DC
Number of positions	5
Color handle area	black
Insulation resistance	≥ 100 MΩ
Coding	A - standard
Standards/regulations	M12 connector IEC 61076-2-101

Y distributor - SAC-5PY-F/M-F VP SH - 1419933

Technical data

General

Status display	No
Overvoltage category	II
Degree of pollution	3
Insertion/withdrawal cycles	≥ 100
Torque	0.4 Nm (M12 connector)

Material

Flammability rating according to UL 94	HB
Contact material	CuZn
Contact surface material	Ni/Au
Contact carrier material	TPU GF
Material of grip body	TPU, hardly inflammable, self-extinguishing
Material, knurls	Zinc die-cast, nickel-plated
Sealing material	NBR

Standards and Regulations

Standard designation	M12 connector
Standards/regulations	IEC 61076-2-101
Flammability rating according to UL 94	HB

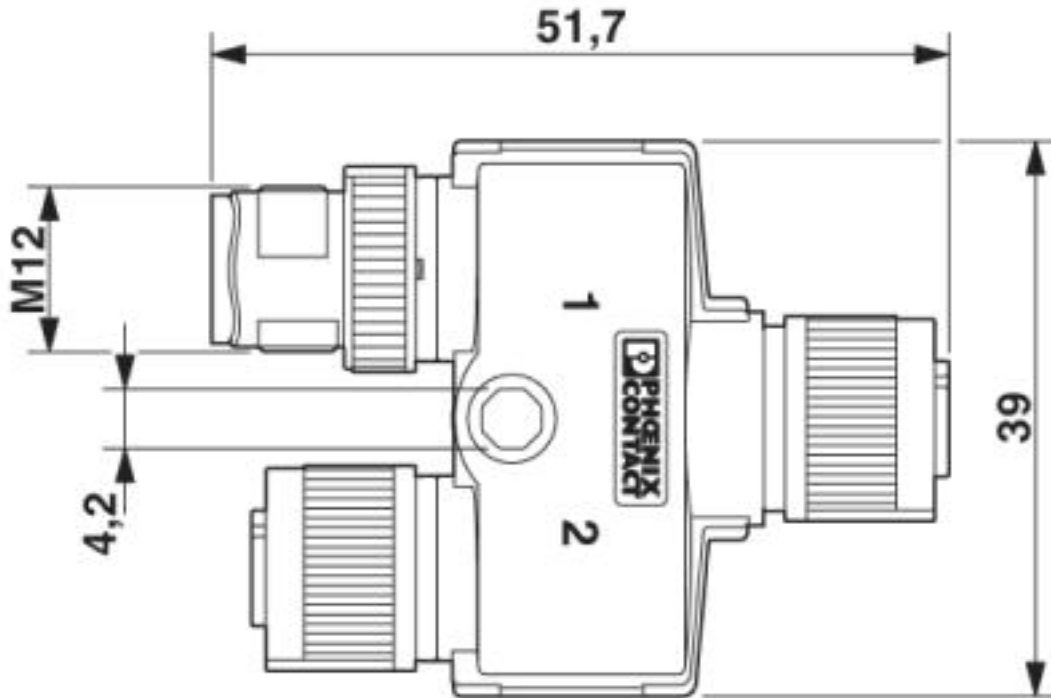
Environmental Product Compliance

	Lead 7439-92-1
China RoHS	Environmentally Friendly Use Period = 50
	For details about hazardous substances go to tab "Downloads", Category "Manufacturer's declaration"

Drawings

Y distributor - SAC-5PY-F/M-F VP SH - 1419933

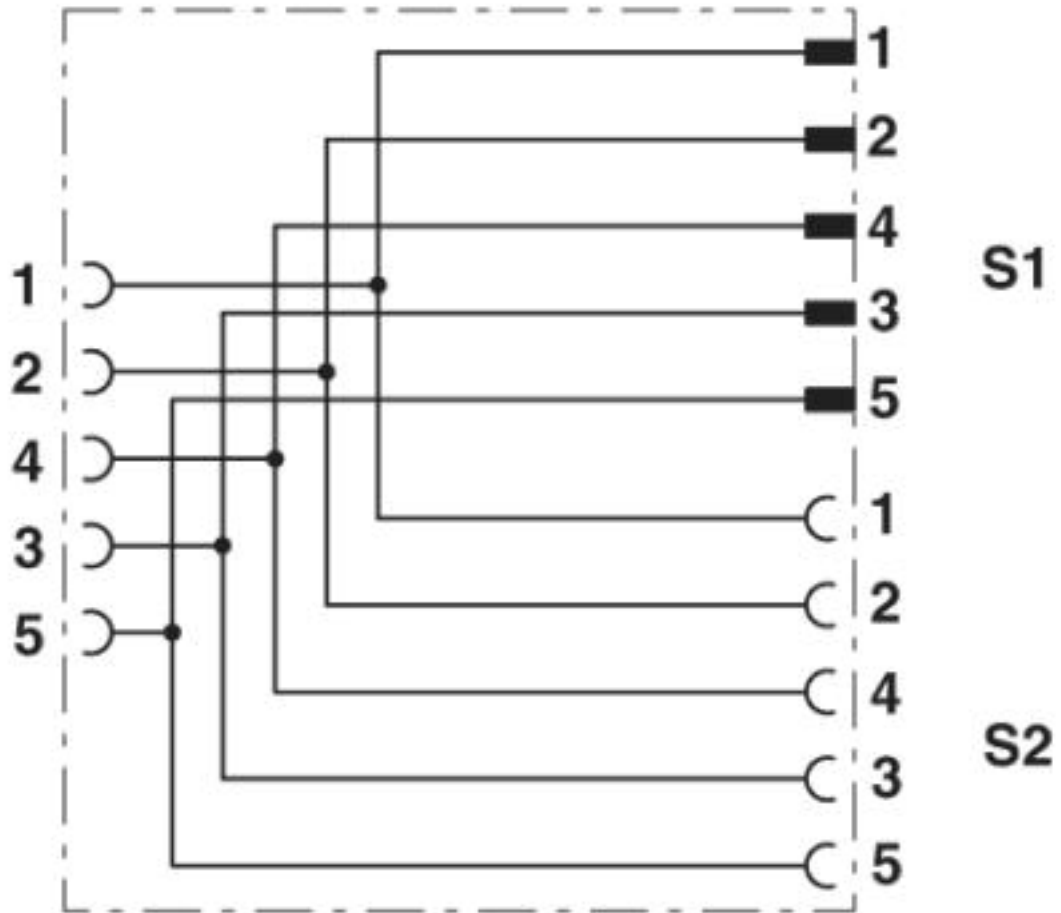
Dimensional drawing



M12 Y distributor

Y distributor - SAC-5PY-F/M-F VP SH - 1419933

Circuit diagram



Contact assignment of the M12 Y distributor

Y distributor - SAC-5PY-F/M-F VP SH - 1419933

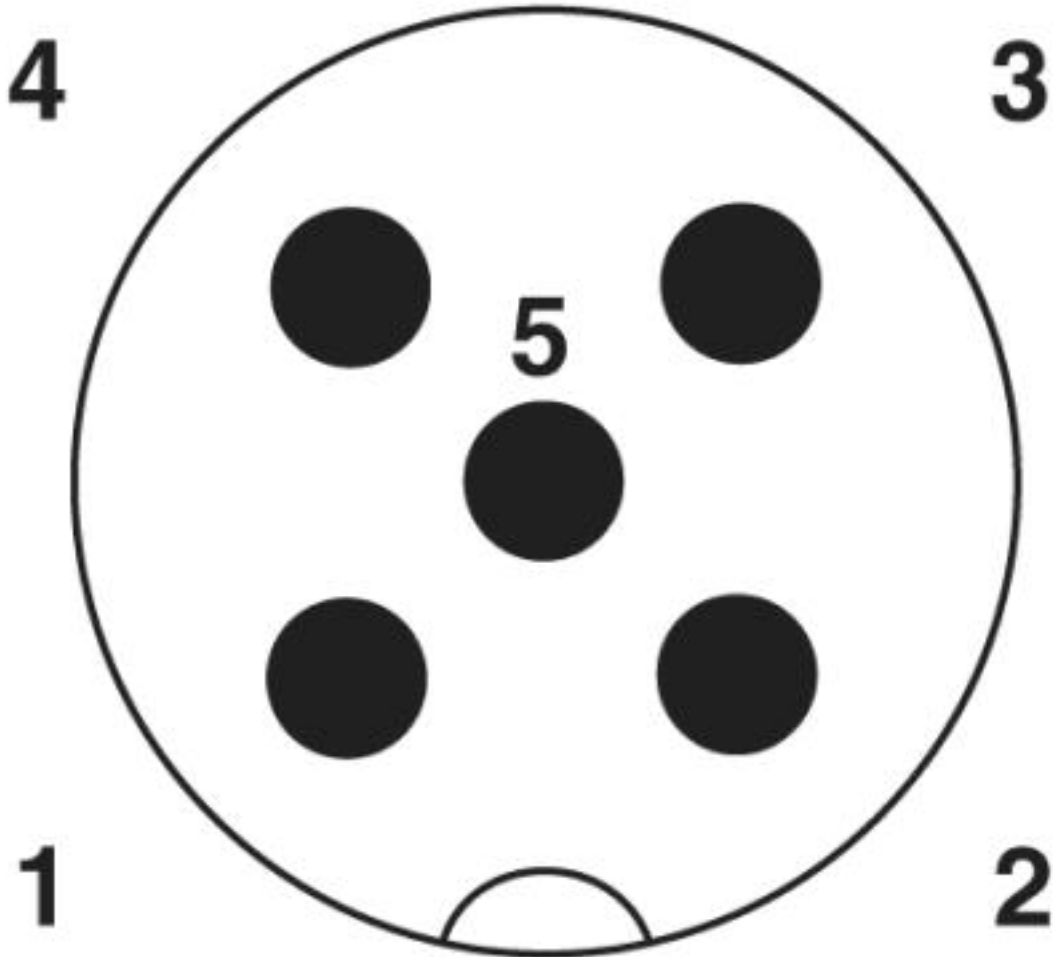
Schematic diagram



Pin assignment M12 socket, 5-pos., A-coded, socket side view

Y distributor - SAC-5PY-F/M-F VP SH - 1419933

Schematic diagram



Pin assignment M12 male connector, 5-pos., A-coded, male side

Approvals

Approvals

Approvals

EAC

Ex Approvals

Approval details

Y distributor - SAC-5PY-F/M-F VP SH - 1419933

Approvals

EAC



EAC-Zulassung

Phoenix Contact 2019 © - all rights reserved
<http://www.phoenixcontact.com>

PHOENIX CONTACT GmbH & Co. KG
Flachsmarktstr. 8
32825 Blomberg
Germany
Tel. +49 5235 300
Fax +49 5235 3 41200
<http://www.phoenixcontact.com>