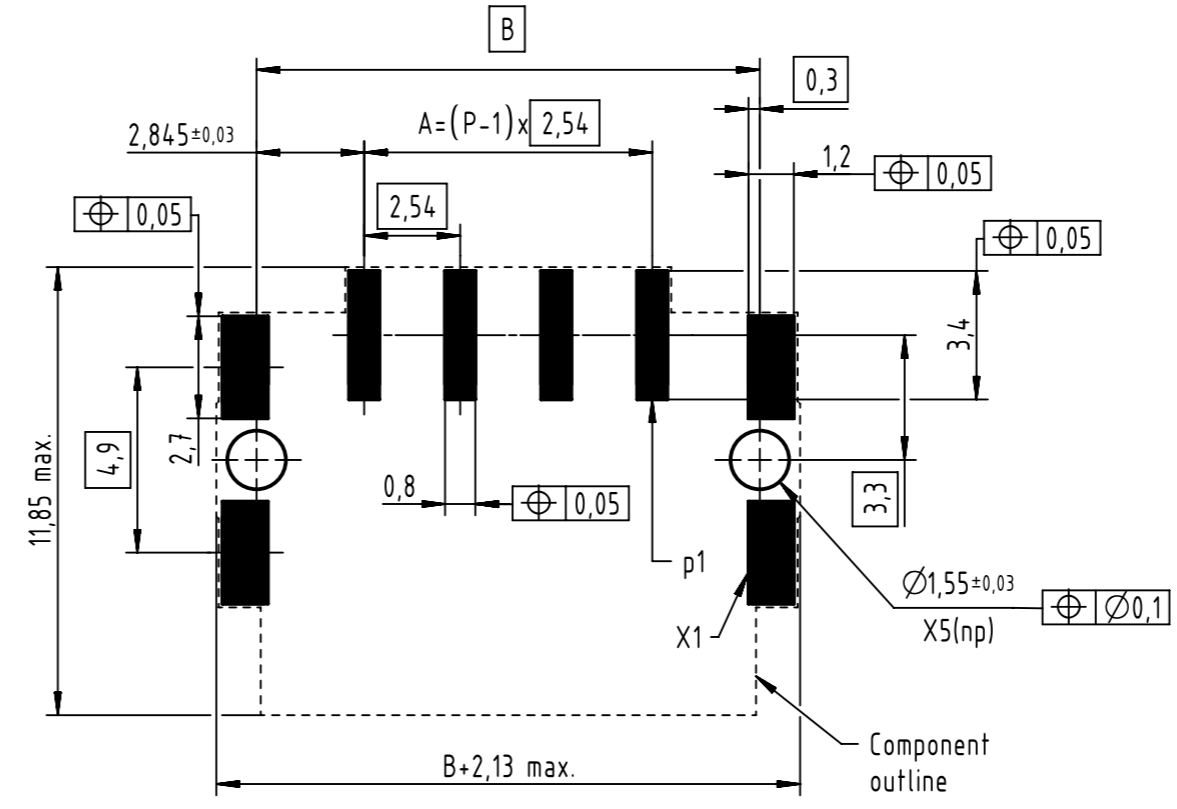
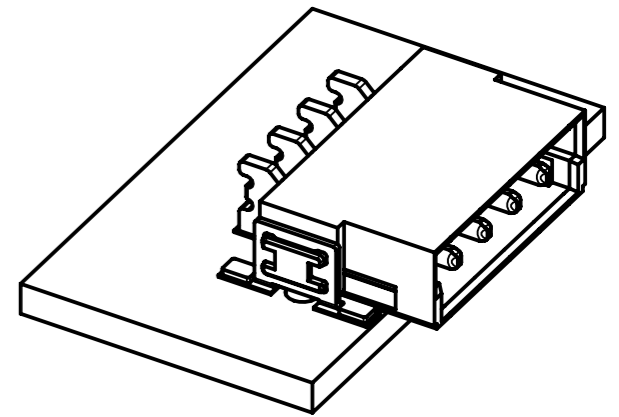


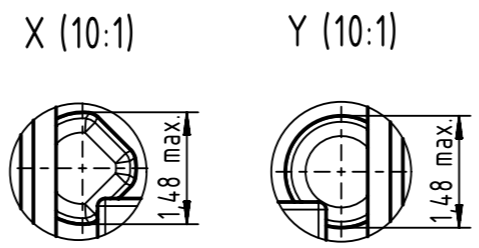
Poles P=	Part number	A	B	C	D	E
2	1555 002 X601 XXX	2,54	8,23	10,16	7,07	6,07
3	1555 003 X601 XXX	5,08	10,77	12,7	9,61	8,61
4	1555 004 X601 XXX	7,62	13,31	15,24	12,15	11,15
5	1555 005 X601 XXX	10,16	15,85	17,78	14,69	13,69
6	1555 006 X601 XXX	12,7	18,39	20,32	17,23	16,23
12	1555 012 X601 XXX	27,94	33,63	35,56	32,47	31,47

Packaging	
tape & reel with 400 pcs per reel	000
samples	333

Performance level	
PL1 : > 500 mating cycles	2



X=only mechanical; np=not plated thru hole



Further technical information see data sheet

	All rights reserved	Created by SHENGJ	Inspected by WANGSTE	Standardisation 302077	Date 2020-10-30	State Final Release
	Department EL PD	Title har-flex angled pure power male SMT connector			Doc-Key / ECM-Nr. 100792258/UGD/001/B 500000182415	
HARTING Electronics GmbH D-32339 Espelkamp		Type TB	Number 15550XXX601XXX		Rev. B	Page 1/2

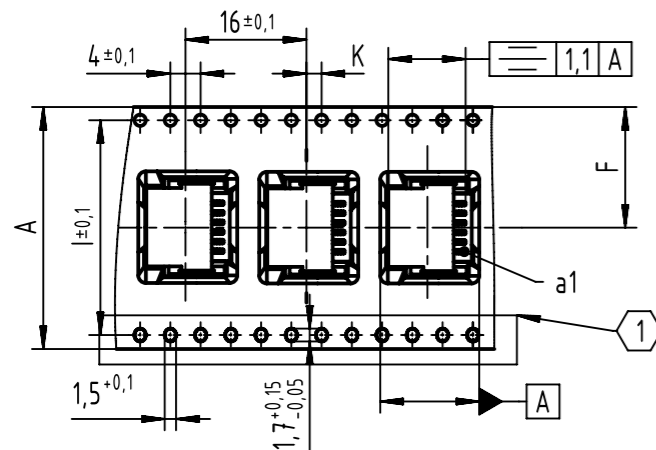


# har-flex angled pure power male connector



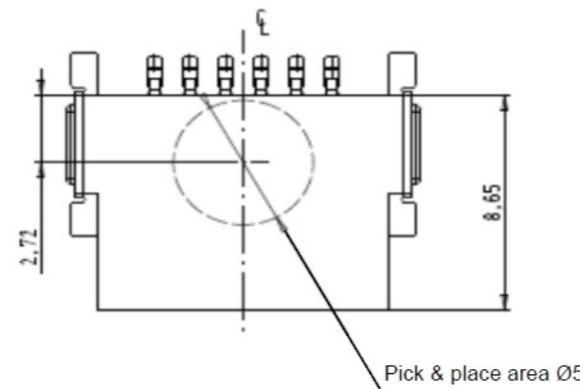
## TAPE LAYOUT & PACKAGING

Tape acc. to IEC 60286-3



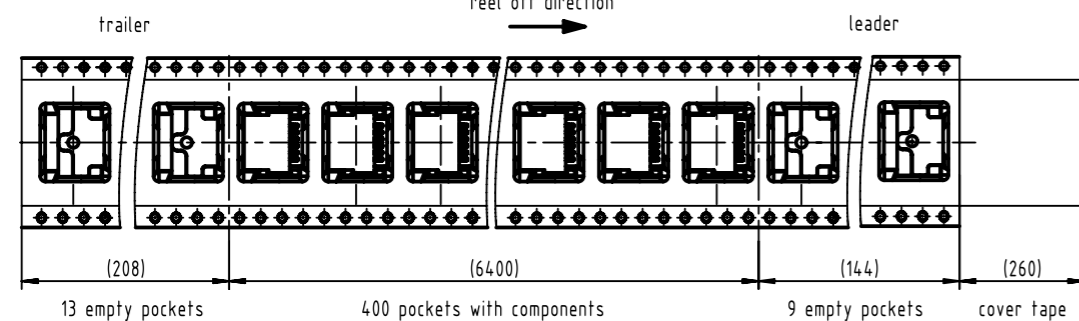
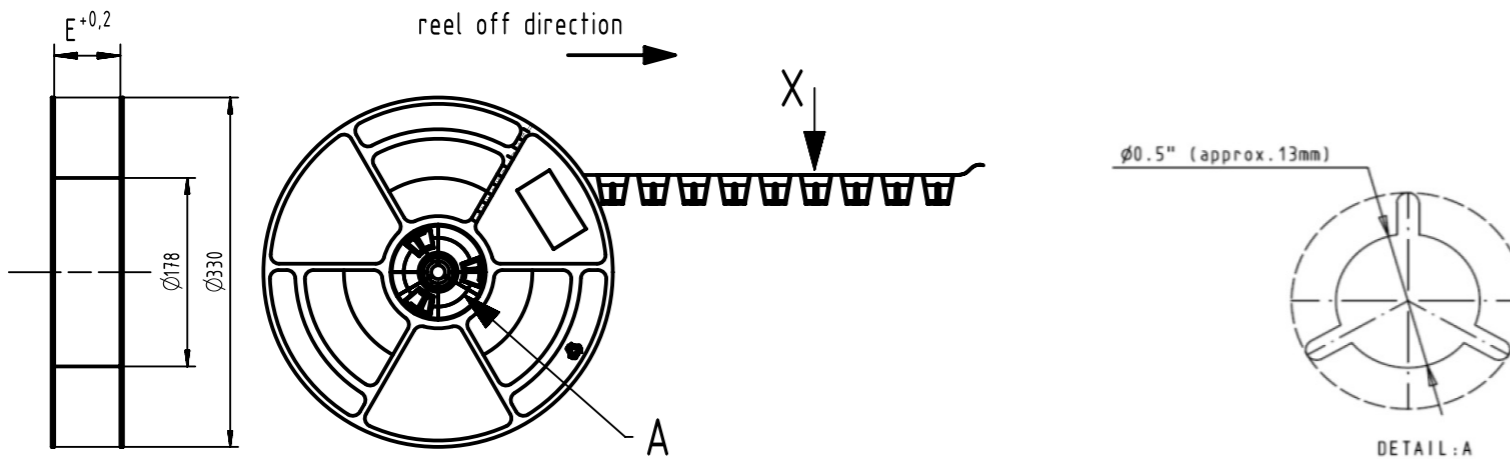
Tape dimensions:	A	F	I	K
Poles 02 to 04	24,0 $\pm$ 0,3/-0,1	11,5 $\pm$ 0,1	-	2 $\pm$ 0,1
Poles 05	32,0 $\pm$ 0,3	14,2 $\pm$ 0,1	28,4	2 $\pm$ 0,1
Poles 06	44,0 $\pm$ 0,3	20,2 $\pm$ 0,1	40,4	2 $\pm$ 0,15
Poles 12	56,0 $\pm$ 0,3	26,2 $\pm$ 0,1	52,4	2 $\pm$ 0,15

① NO DOUBLE SPROCKET HOLES FOR 02, 03 AND 04 POLE NUMBERS (TAPE SIZE 24)



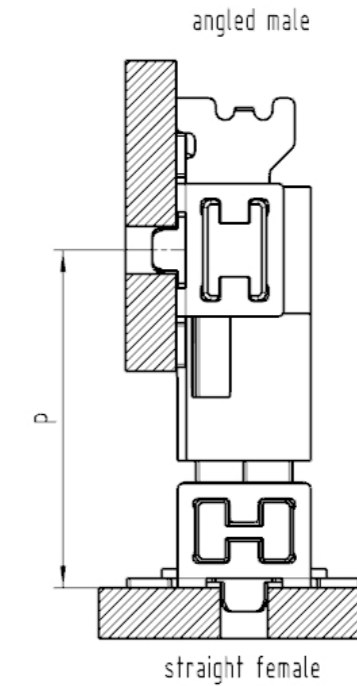
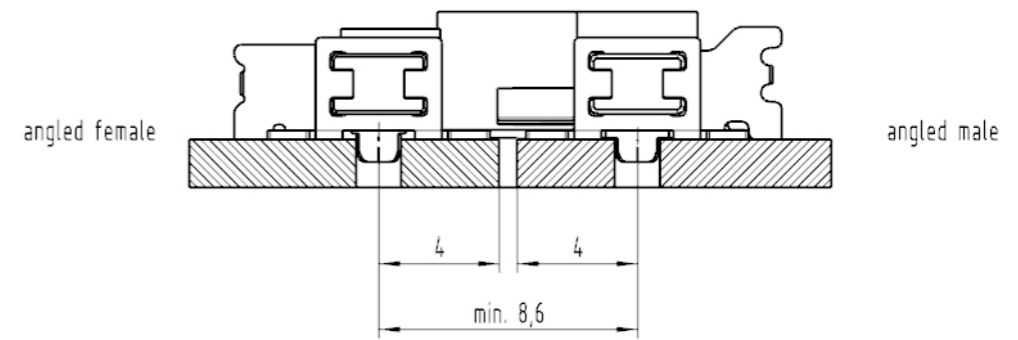
Packaging indices ("XXX" in part number)		
Index	Packaging unit	Packaging
000	400	Tape & reel
333	1	Tape

## REEL DIMENSIONS

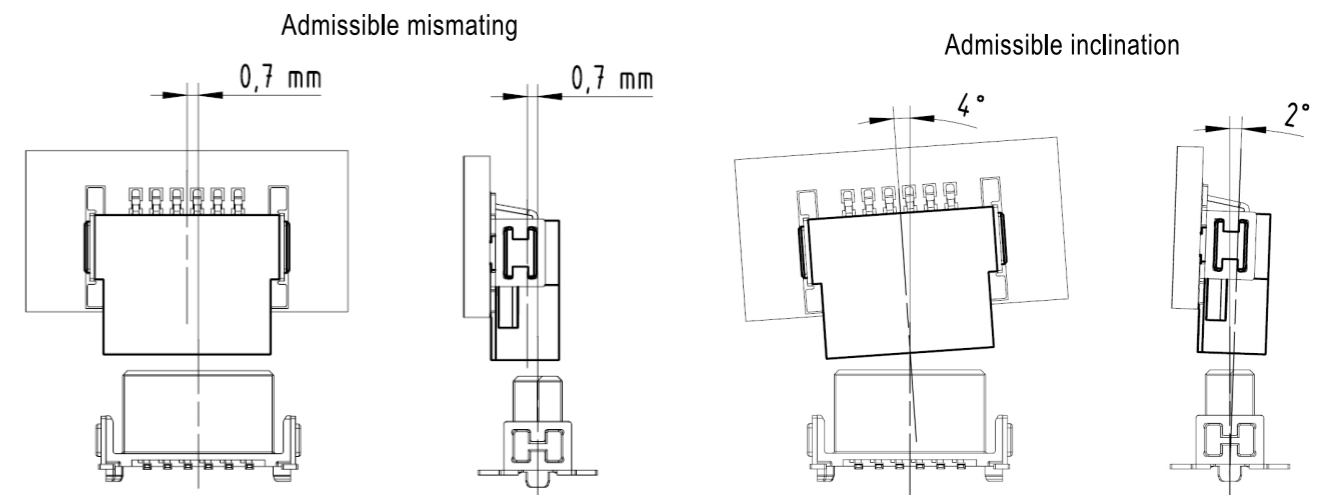


Reel dimensions:	E
Poles 02 to 04	24,4
Poles 05	32,4
Poles 06	44,4
Poles 12	56,4

## APPLICATION INFORMATION



9,05	10,7
Y	P min.



	All Dimensions in mm Original Size DIN A3	Scale 1:1	Free size tol.	Ref.
	All rights reserved Department EL PD	Created by SHENGJ	Inspected by WANGSTE	Standardisation 302077
HARTING Electronics GmbH D-32339 Espelkamp	Title har-flex angled pure power male SMT connector		Date 2020-10-30	State Final Release
	Type TB	Number 15550XXX601XXX	Doc-Key / ECM-Nr. 100792258/UGD/001/B 500000182415	Rev. B
				Page 2/2