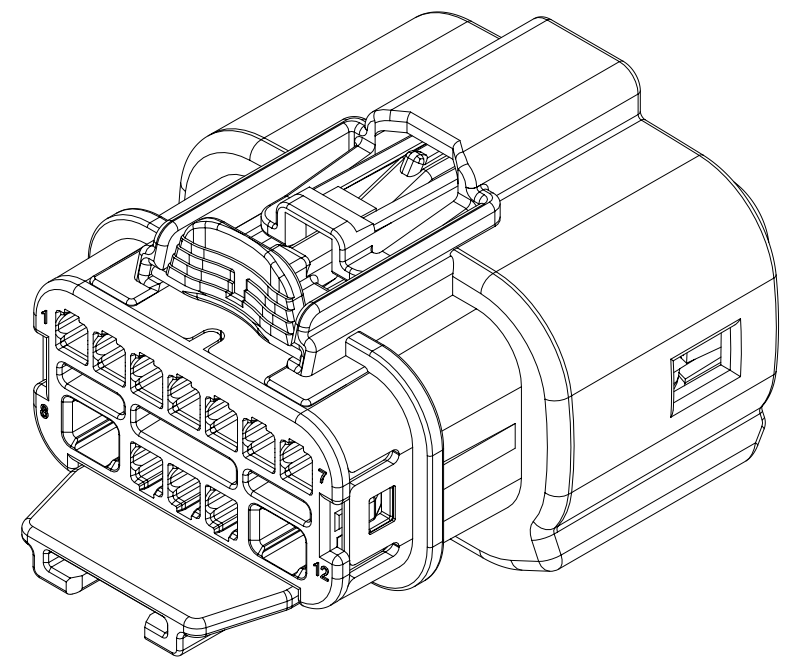
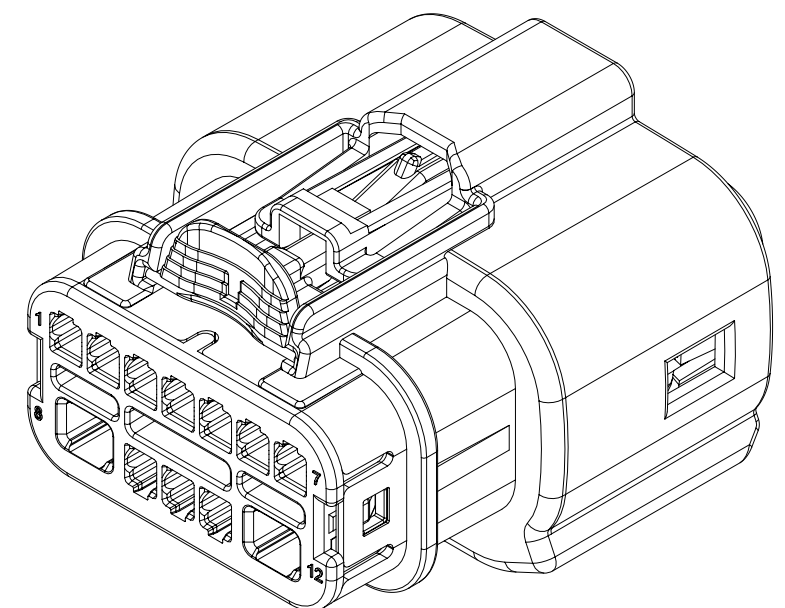


TABLE OF CONTENTS	
SHEET NO.	SHEET DESCRIPTION
1	NOTES
2	CONFIGURATIONS
3	KEY CONFIGURATIONS
4	RECEPTACLE CONNECTOR ASSEMBLY
5	12W HYBRID CONNECTOR BOM
6	12W HYBRID CONNECTOR BOM
7	12W HYBRID INTERFACE DEFINITION

DESCRIPTION	PACKAGING DRAWING NO.	MATING INTERFACE/CONNECTOR DRAWINGS	
		INTERFACE DEFINITION	MOLEX INLINE
12W HYBRID	RPK-1601110900	SEE PAGE 6	E-1601120000



12W HYBRID W/ EXTENDED CLIPSLOT



12W HYBRID NON-CLIPSLOT

NOTES: VALID UNLESS OTHERWISE SPECIFIED

1. GENERAL:

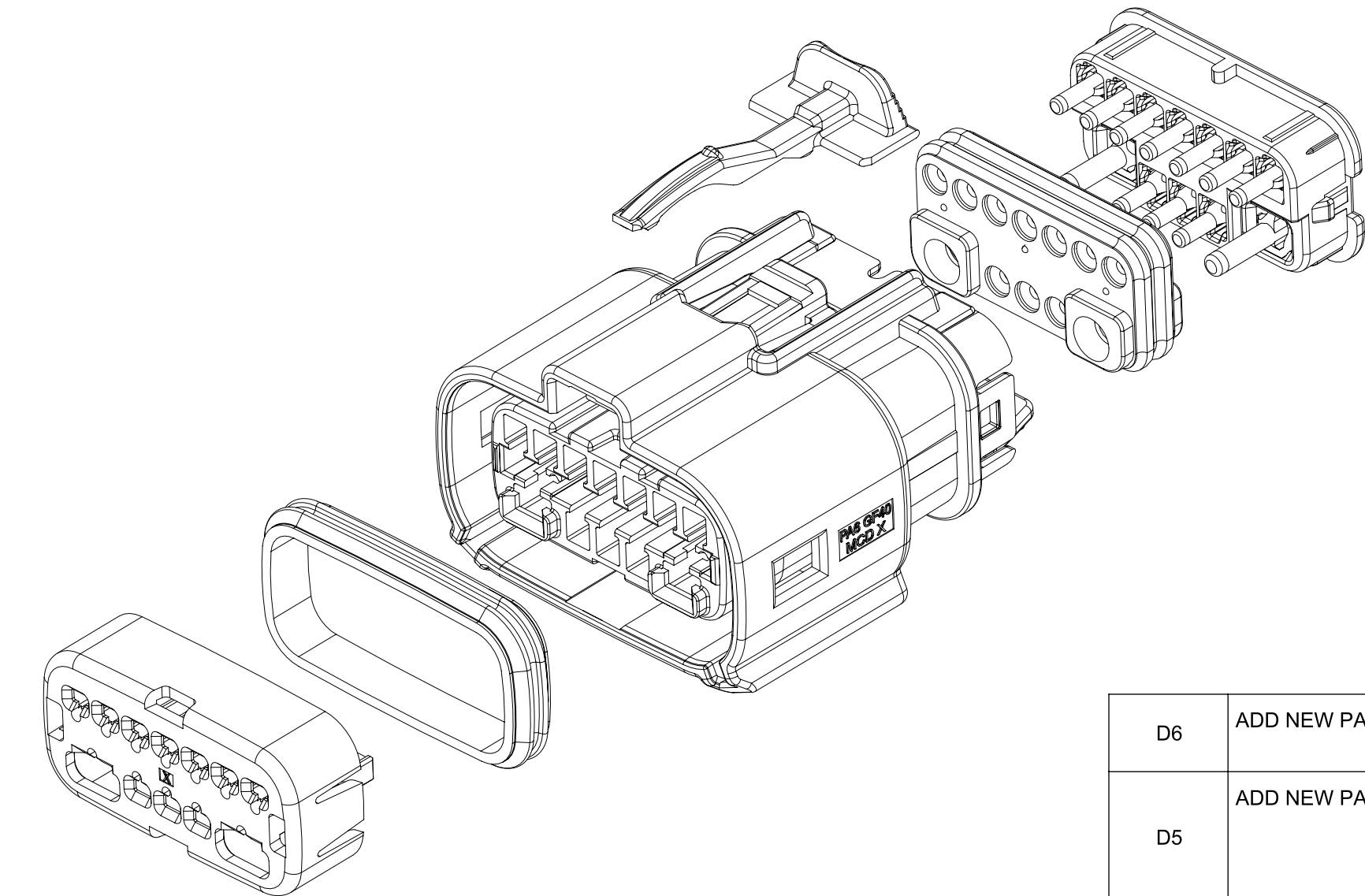
- 1.1 APPLICATION SPECIFICATION SEE: 1601110001-AS
  - CONTAINS: PRODUCT INTRODUCTION, PRODUCT SUMMARY, CONNECTOR ASSEMBLY, PACKAGING INFORMATION, CONNECTOR MATING, SERVICE INSTRUCTIONS, ELECTRICAL CONTINUITY CHECKING, CRIMPING, AND TROUBLE SHOOTING.
  - DESIGNED TO MATE WITH DEVICE OR CONNECTOR AS SPECIFIED IN THE MATING INTERFACE/CONNECTOR DRAWINGS CHART.
  - \*DENOTES DRAWINGS THAT CAN BE ACCESSED AT [http://ewcap.uscarteams.org/]
  - ASSEMBLY SHIPPED WITH THE FOLLOWING PARTS IN PRE-LOCK POSITION (PLR, CPA, ISL, LEVEL. SEE PRE-LOCK VIEW ON PAGE 4).
- 1.2 PRODUCT SPECIFICATION SEE: 1601110001-PS
  - CONTAINS: SCOPE, PRODUCT DESCRIPTION, INTEGRAL COMPONENTS AND ACCESSORIES, APPLICABLE DOCUMENTS AND SPECIFICATIONS, RATINGS, PERFORMANCE, PACKAGING, GAUGES AND FIXTURES, AND OTHER INFORMATION.
- 1.3 PACKAGING SPECIFICATION PER MOLEX DRAWING: SEE PACKAGING CHART
- 1.4 PARTS MUST BE IN COMPLIANCE TO MOLEX CHEMICAL SUBSTANCES FOR PRODUCTS AND PACKAGING SPECIFICATION: QEHS-699000-300
- 1.5 DATA MUST BE SUBMITTED UNDER THE MOLEX PART NUMBER TO IMDS (COMPANY ID#13255)

2. DESIGN - MATERIALS:

- 2.1 SEE BOM TABLE

3. DESIGN - GEOMETRY:

- 3.1 THE 3-D CAD DATA IS BASIC (WITHOUT TOLERANCE) AND MUST BE TAKEN FROM THE DATA FILE AT ITS LATEST REVISION.
- 3.2 THE 3-D CAD DATA IS MASTER FOR THIS PART AND IS TO BE USED TO ESTABLISH DIMENSIONAL INFORMATION NOT SHOWN ON THIS DRAWING. ANY DIMENSIONS UNDERLINED INDICATE A CONFLICT WITH THE MODEL.
- 3.3 PRODUCT DESIGN MODEL NUMBER(S): SEE BOM TABLE
- 3.4 GEOMETRIC DIMENSIONS AND TOLERANCES PER ASME Y14.5M-2009
- 3.5 EDGES OF UNDEFINED SHAPE PER ISO 13715
- 3.6 CORNERS SHOWN AS SHARP TO BE R 0.2 MAX
- 3.7 LETTERING SHALL BE 0.15 MAX RAISED IN 0.25 MAX RECESS PAD.  
THIS INCLUDES RECYCLING CODE, CAVITY ID, VENDOR IDENTIFICATION, AND CUSTOMER MATERIAL NUMBER.
- 3.8 VISUAL DEFECTS SHALL MEET COSMETIC STANDARD PS-45499-002 (CLASS B).
- 3.9 LASER MARKING
  1. PART NUMBER
  2. DAY OF THE YEAR
  3. SHIFT
  4. YEAR
 FOR ADDITIONAL INFORMATION SEE SECTION 5 UNDER PROCEDURES IN ES-34735-008.



D6	ADD NEW PART NO. 160111-6068 160111-6069
D5	ADD NEW PART NO. 160111-6064 160111-6065 160111-6066 160111-6067
D4	ADD 160111-6062 AND 160111-6063
D3	ADD 160111-6061
D2	ADD 160111-6059 AND 6060
D1	ADD 160111-6054 THRU 6058
D	ADD 160111-6050 THRU 6053
C2	UPDATED NOTES
C1	CHANGE DOCUMENT TYPE FROM RSD TO SD
C	ADD 160111-6046 THRU 6049
B	UPDATED INFORMATION TO PRODUCTION LEVEL
A2	ADDED NEW PART NO. 160111-6039 160111-6040 160111-6041 160111-6042 160111-6043 160111-6044 160111-6045
A1	ADDED NEW PART NO. 160111-6021 160111-6022 160111-6023 160111-6024 160111-6025 160111-6026 160111-6027 160111-6028 160111-6029 160111-6030 160111-6031 160111-6032 160111-6033 160111-6034 160111-6035 160111-6036 160111-6037 160111-6038
INSPECTION NUMBER LOG	A INITIAL RELEASE
LAST NUMBER: 7	REV REV DESCRIPTION

FUNCTIONAL SYMBOLS	THIS DRAWING CONTAINS INFORMATION THAT IS PROPRIETARY TO MOLEX ELECTRONIC TECHNOLOGIES, LLC AND SHOULD NOT BE USED WITHOUT WRITTEN PERMISSION		CURRENT REV DESC: SEE REVISION TABLE	
$\frac{F}{A} = 0$	DIMENSION UNITS	SCALE		
$\frac{F}{C} = 0$	mm	2:1		
$\frac{F}{D} = 0$	GENERAL TOLERANCES (UNLESS SPECIFIED)		PHASE: Design Production	
	ANGULAR TOL $\pm 0.5^\circ$		CO NO: CO-00000522	
	4 PLACES	$\pm 0.0000$	DRWN: Srikanth CV	2022-02-16
	3 PLACES	$\pm 0.0000$	CHK'D: Chaitra D	2022-02-17
	2 PLACES	$\pm 0.000$	APPR: Gurunandan GA	2022-02-17
	1 PLACE	$\pm 0.00$	INITIAL REVISION:	
	0 PLACES	$\pm 0.00$	DRWN: Srikanth CV	2022-02-16
	DRAFT WHERE APPLICABLE MUST REMAIN WITHIN DIMENSIONS		APPR: Gurunandan GA	2022-02-17
	THIRD ANGLE PROJECTION	DRAWING	SERIES	
		D-SIZE	160111	
	MATERIAL NUMBER		CUSTOMER	SHEET NUMBER
	1601110000		CHARTED	1 OF 7
	DOCUMENT NUMBER		DOC TYPE	DOC PART
	1601110000		PSD	000
	REVISION		D6	

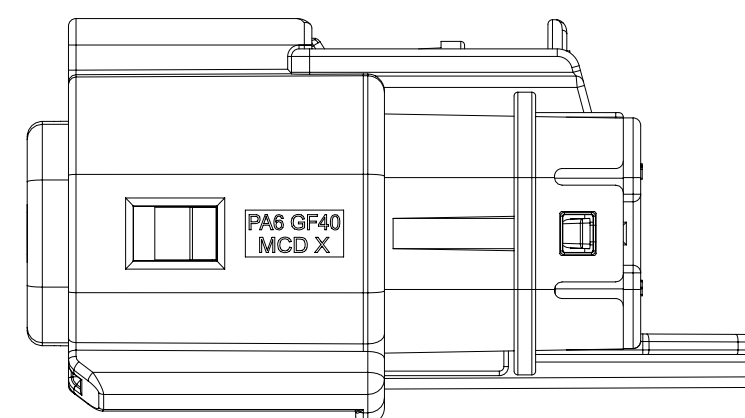
**molex**

MX150 HYBRID MAT SEAL RCPT CONN ASM

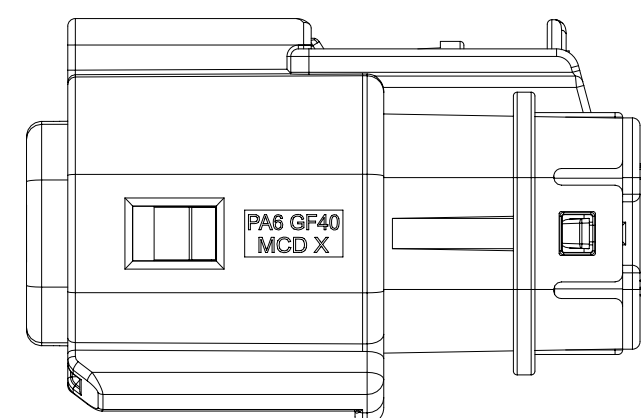
PRODUCT SALES DRAWING

SHEET DESCRIPTION

CONFIGURATIONS



12W HYBRID W/ EXTENED CLIPSLOT



12W HYBRID NON-CLIPSLOT

FUNCTIONAL SYMBOLS	THIS DRAWING CONTAINS INFORMATION THAT IS PROPRIETARY TO MOLEX ELECTRONIC TECHNOLOGIES, LLC AND SHOULD NOT BE USED WITHOUT WRITTEN PERMISSION		
	DIMENSION UNITS	SCALE	CURRENT REV DESC: SEE REVISION TABLE
$\nabla_A = 0$	mm	2:1	PHASE: Design Production CO NO: CO-00000522
$\nabla_C = 0$	GENERAL TOLERANCES (UNLESS SPECIFIED)		
$\nabla_D = 0$	ANGULAR TOL $\pm 0.5^\circ$		DRWN: Srikanth CV 2022-02-16
DIVISIONAL SYMBOLS	4 PLACES	$\pm 0.0000$	CHK'D: Chaitra D 2022-02-17
	3 PLACES	$\pm 0.0000$	APPR: Gurunandan GA 2022-02-17
	2 PLACES	$\pm 0.000$	INITIAL REVISION:
	1 PLACE	$\pm 0.00$	DRWN: Srikanth CV 2022-02-16
	0 PLACES	$\pm 0.00$	APPR: Gurunandan GA 2022-02-17
DRAFT WHERE APPLICABLE MUST REMAIN WITHIN DIMENSIONS		THIRD ANGLE PROJECTION	DRAWING
			SERIES
		D-SIZE	MATERIAL NUMBER
		160111	CUSTOMER
		CHARTED	SHEET NUMBER
			2 OF 7

**molex**

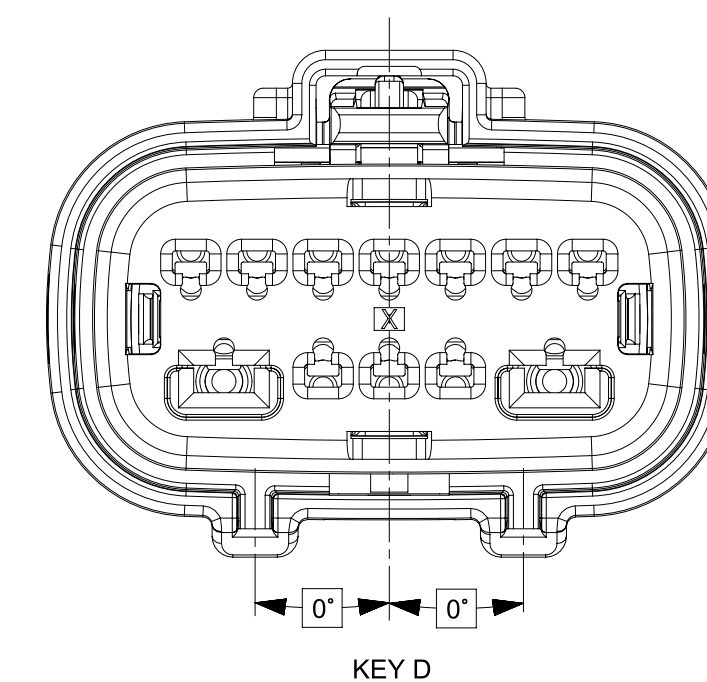
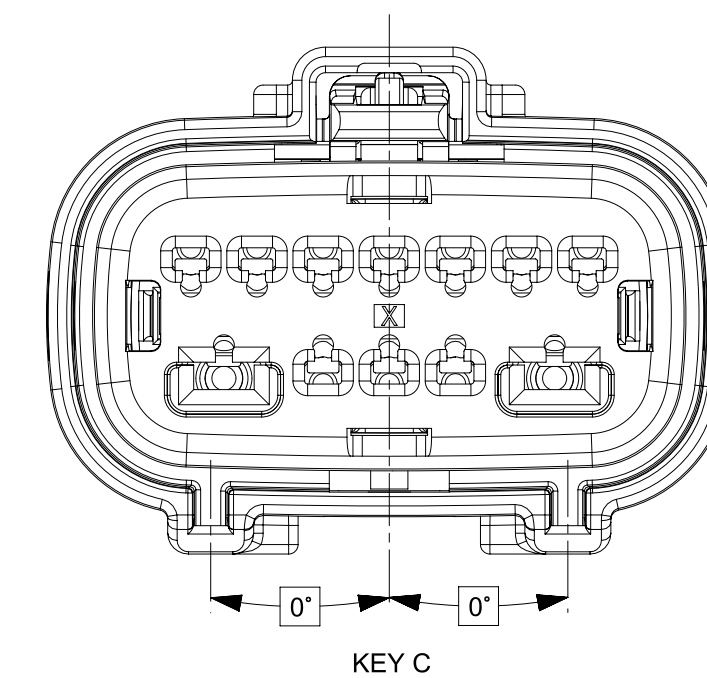
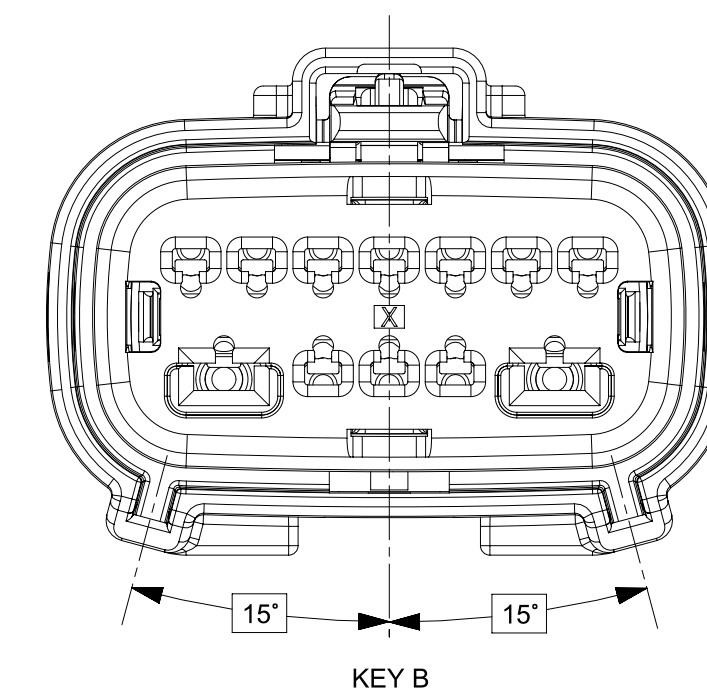
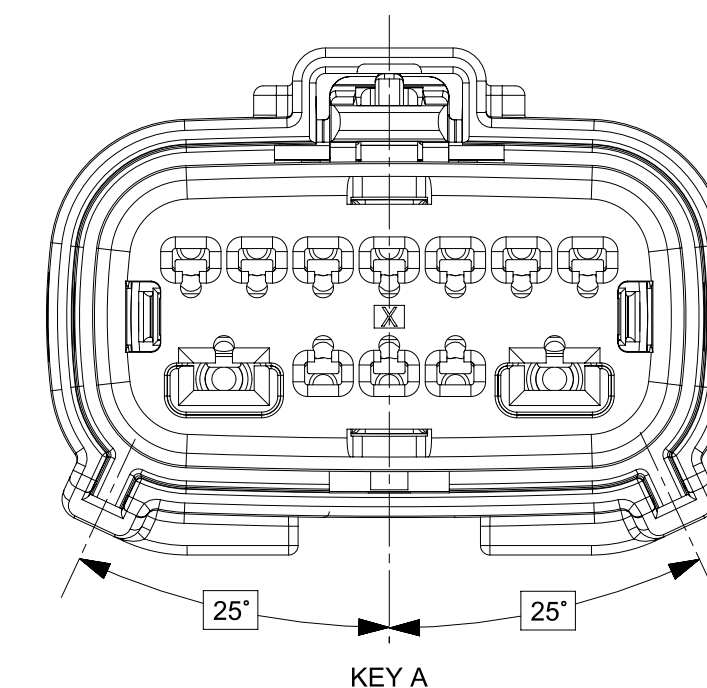
MX150 HYBRID MAT SEAL RCPT CONN ASM

PRODUCT SALES DRAWING

DOCUMENT NUMBER	DOC TYPE	DOC PART	REVISION
1601110000	PSD	000	D6

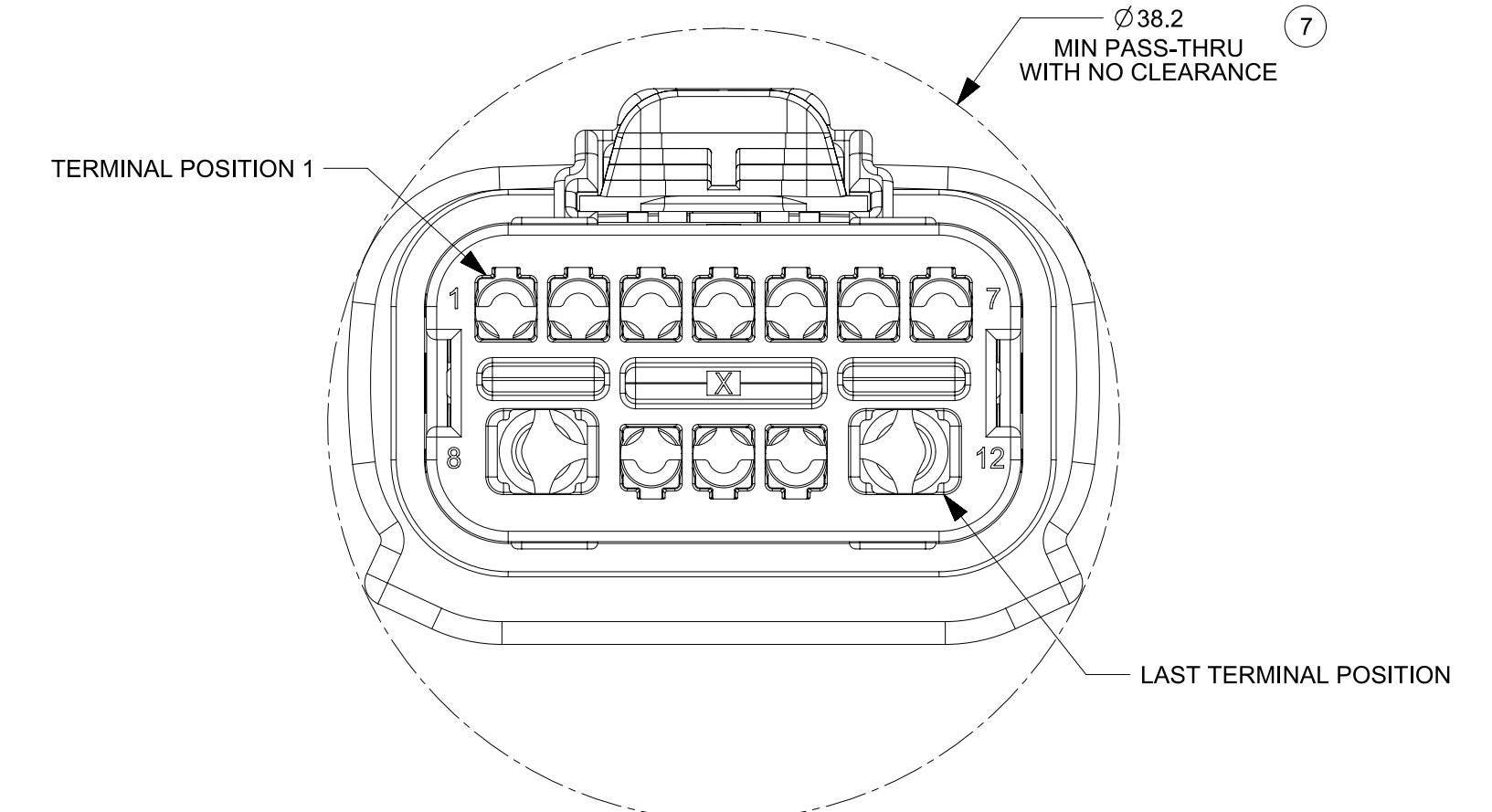
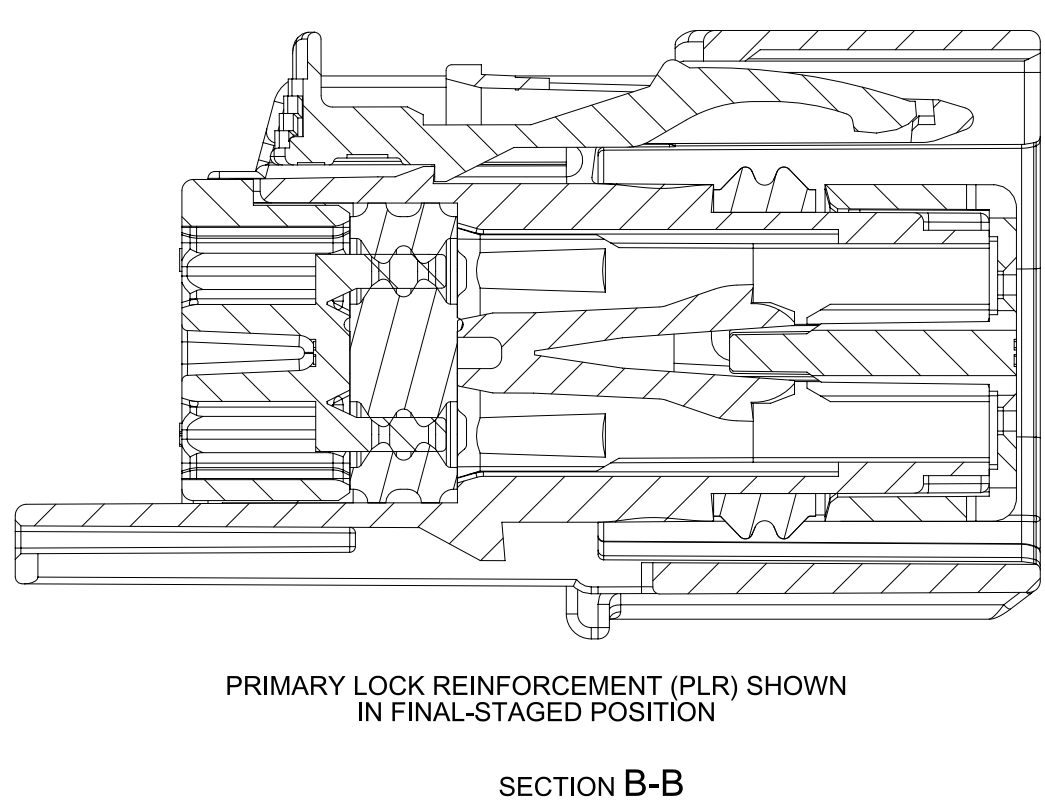
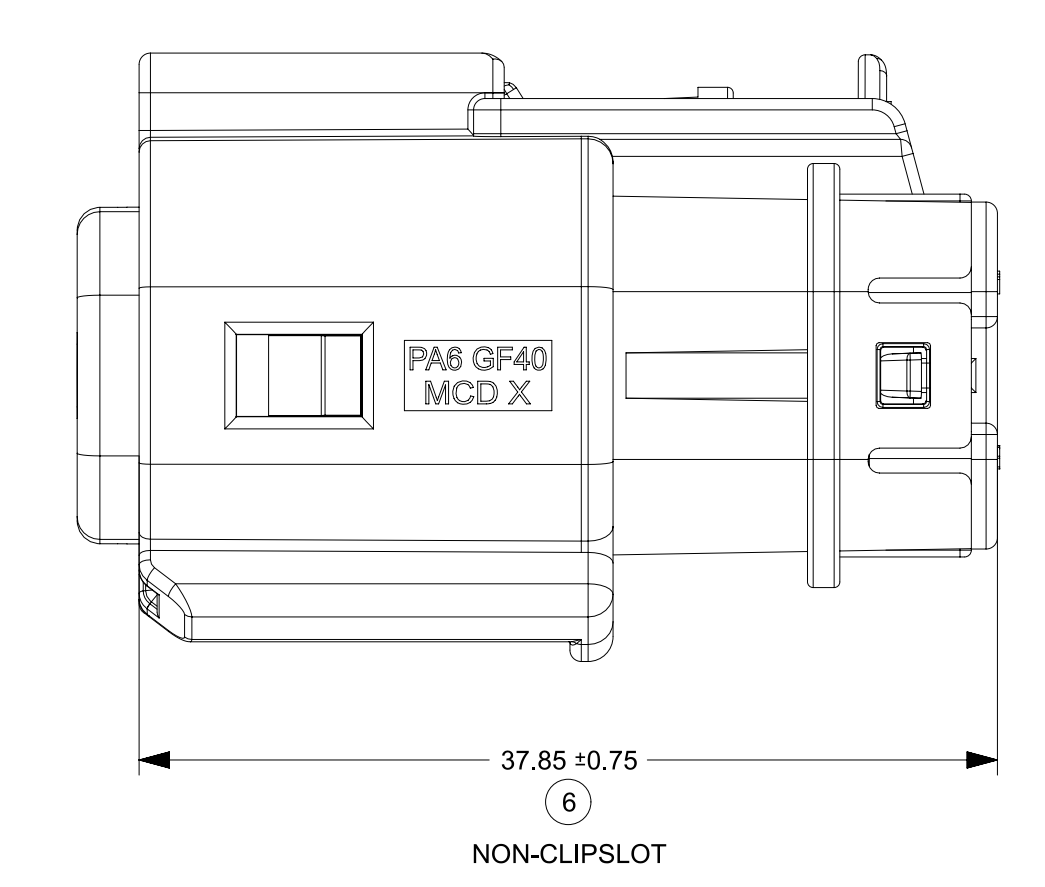
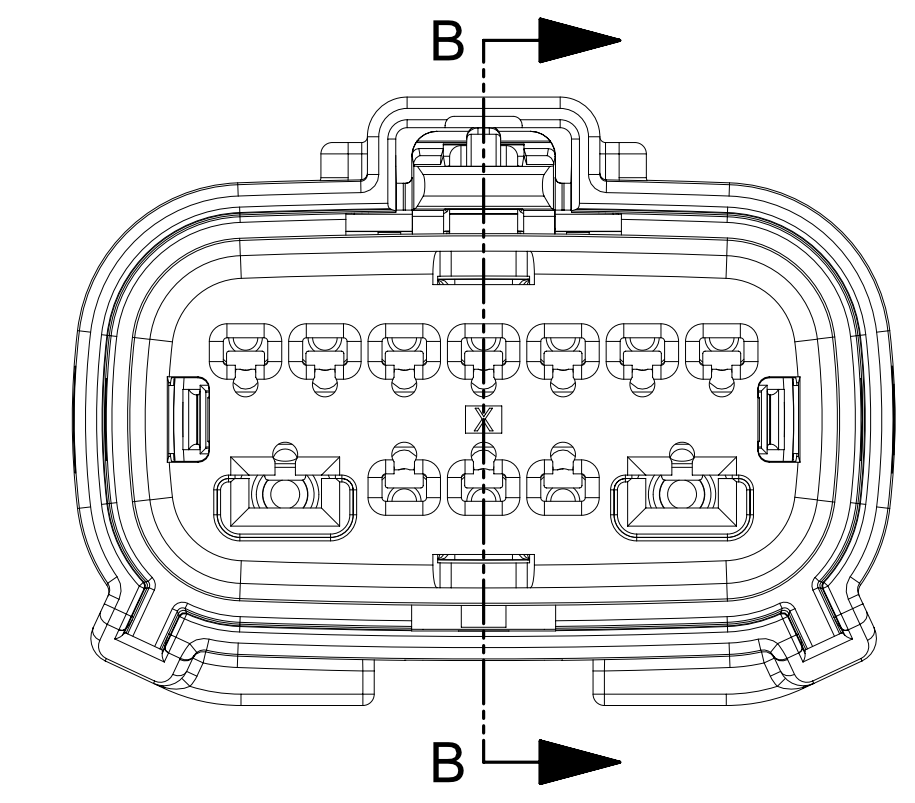
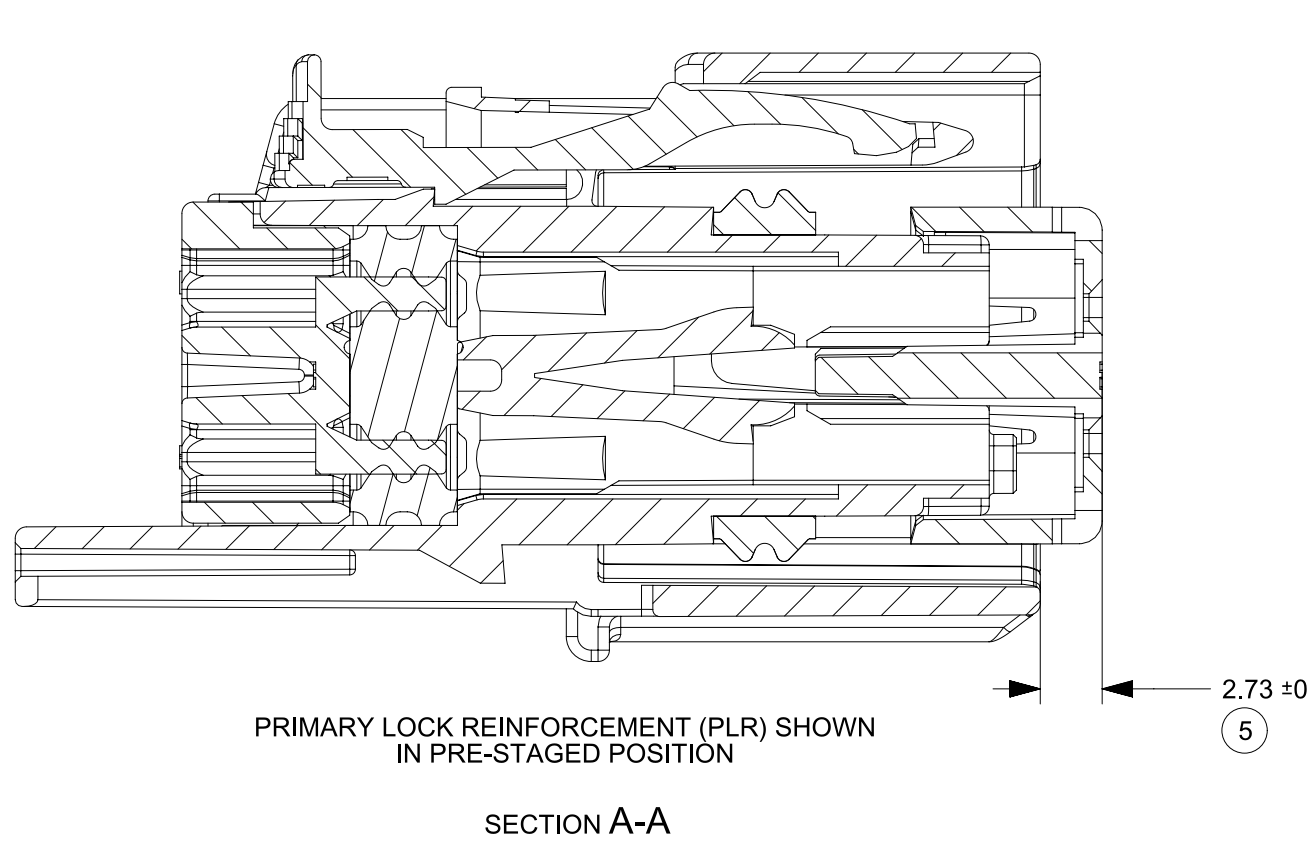
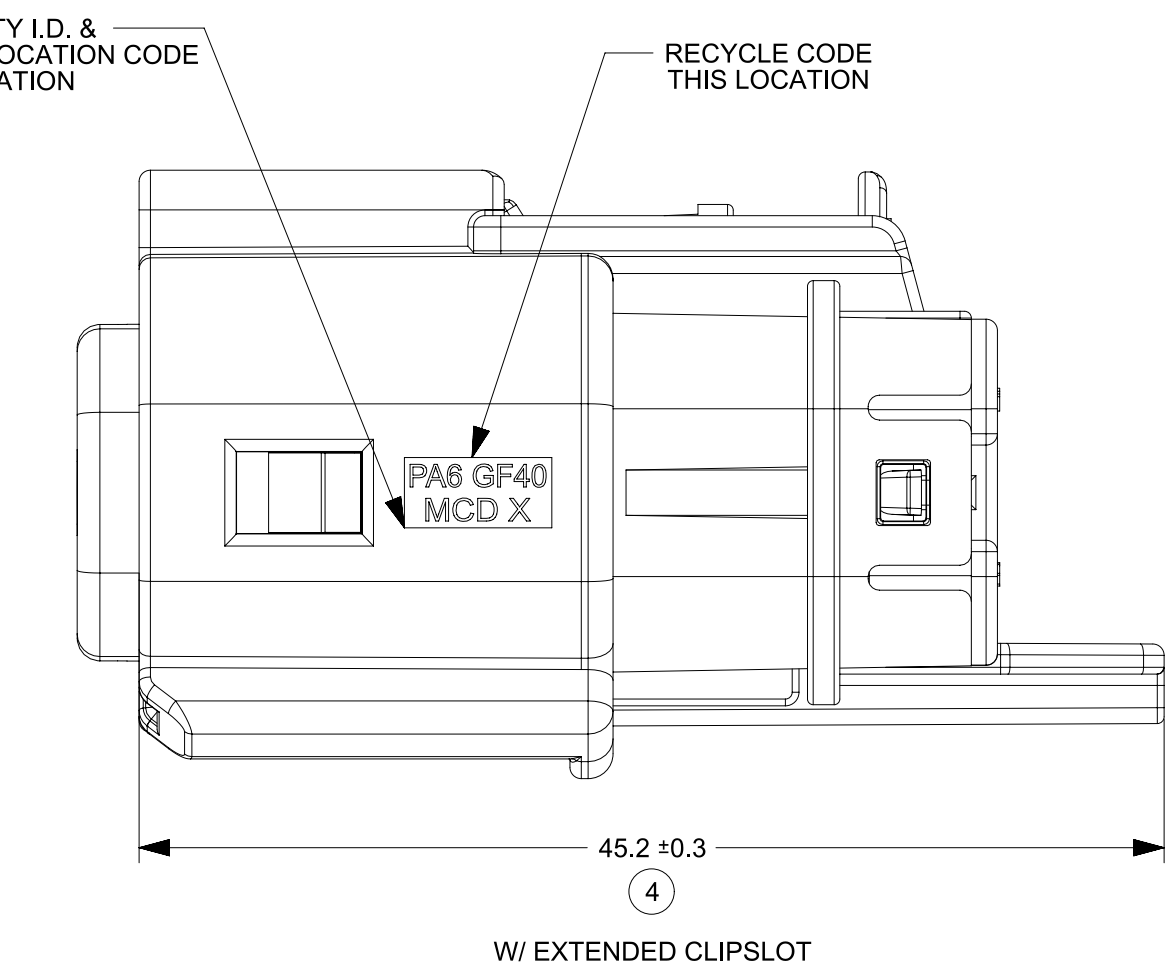
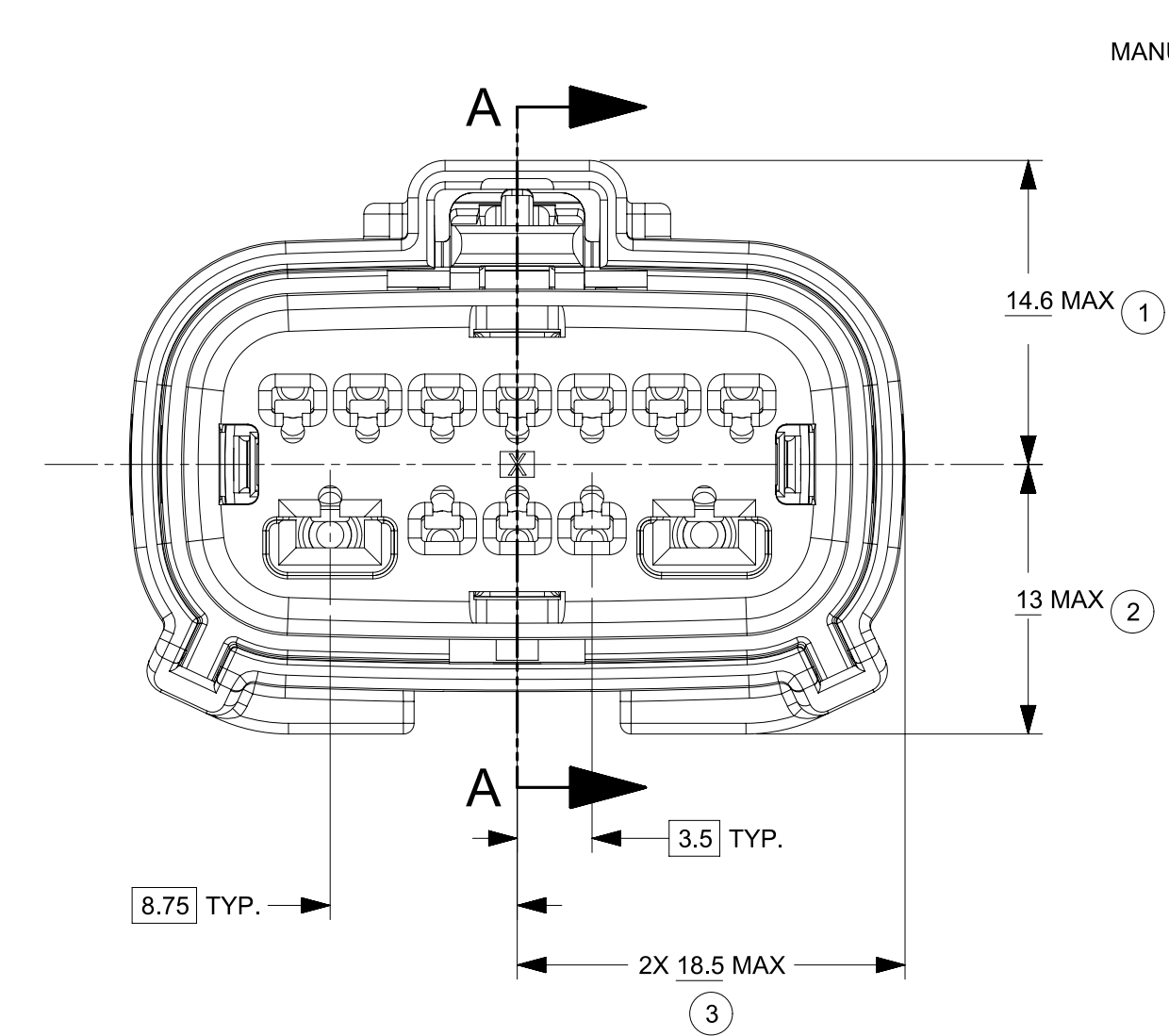
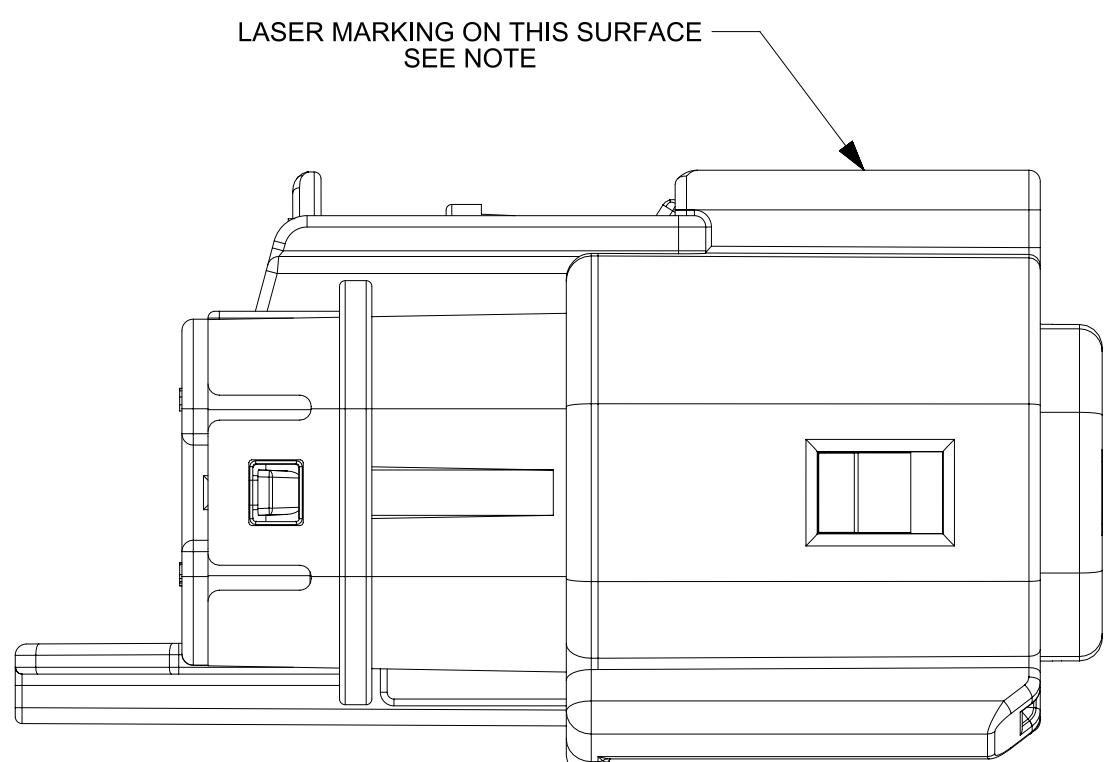
DRAWING	SERIES	MATERIAL NUMBER	CUSTOMER	SHEET NUMBER
D-SIZE	160111	CHARTED		2 OF 7

12W HYBRID



FUNCTIONAL SYMBOLS	THIS DRAWING CONTAINS INFORMATION THAT IS PROPRIETARY TO MOLEX ELECTRONIC TECHNOLOGIES, LLC AND SHOULD NOT BE USED WITHOUT WRITTEN PERMISSION		CURRENT REV DESC: SEE REVISION TABLE				
	DIMENSION UNITS	SCALE					
$\nabla_A = 0$	mm	3:1	GENERAL TOLERANCES (UNLESS SPECIFIED)		PHASE: Design Production CO NO: CO-00000522 DRWN: Srikanth CV 2022-02-16 CHK'D: Chaitra D 2022-02-17 APPR: Gurunandan GA 2022-02-17		
$\nabla_C = 0$	ANGULAR TOL $\pm 0.5^\circ$						
$\nabla_D = 0$	4 PLACES $\pm 0.0000$		INITIAL REVISION: DRWN: Srikanth CV 2022-02-16 APPR: Gurunandan GA 2022-02-17				
DIVISIONAL SYMBOLS	3 PLACES $\pm 0.0000$					DRAFT WHERE APPLICABLE MUST REMAIN WITHIN DIMENSIONS	
	2 PLACES $\pm 0.0000$		DRAFT WHERE APPLICABLE MUST REMAIN WITHIN DIMENSIONS			D-SIZE	160111
1 PLACE $\pm 0.00$		DRAFT WHERE APPLICABLE MUST REMAIN WITHIN DIMENSIONS		MATERIAL NUMBER		CUSTOMER	SHEET NUMBER
0 PLACES $\pm 0.00$		DRAFT WHERE APPLICABLE MUST REMAIN WITHIN DIMENSIONS		1601110000		CHARTED	3 OF 7

**SHEET DESCRIPTION**  
**RECEPTACLE CONNECTOR ASSEMBLY**



FUNCTIONAL SYMBOLS		THIS DRAWING CONTAINS INFORMATION THAT IS PROPRIETARY TO MOLEX ELECTRONIC TECHNOLOGIES, LLC AND SHOULD NOT BE USED WITHOUT WRITTEN PERMISSION		CURRENT REV DESC: SEE REVISION TABLE	
$\nabla_A = 0$	mm	SCALE	4:1	<b>molex</b> MX150 HYBRID MAT SEAL RCPT CONN ASM PRODUCT SALES DRAWING	
$\nabla_C = 0$	GENERAL TOLERANCES (UNLESS SPECIFIED)				
$\nabla_D = 0$	ANGULAR TOL	± 0.5°			
	4 PLACES	± 0.0000			
	3 PLACES	± 0.0000		PHASE: Design Production CO NO: CO-00000522 DRWN: Srikanth CV 2022-02-16 CHK'D: Chaitra D 2022-02-17 APPR: Gurunandan GA 2022-02-17	
	2 PLACES	± 0.000		INITIAL REVISION: DRWN: Srikanth CV 2022-02-16 APPR: Gurunandan GA 2022-02-17	
	1 PLACE	± 0.00		DOCUMENT NUMBER <b>1601110000</b>	
	0 PLACES	± 0.00		DOC TYPE   DOC PART   REVISION PSD   000   D6	
DIVISIONAL SYMBOLS		DRAFT WHERE APPLICABLE MUST REMAIN WITHIN DIMENSIONS		MATERIAL NUMBER   CUSTOMER   SHEET NUMBER CHARTED     4 OF 7	
		THIRD ANGLE PROJECTION		DRAWING   SERIES D-SIZE   160111	

SEE NOTES







