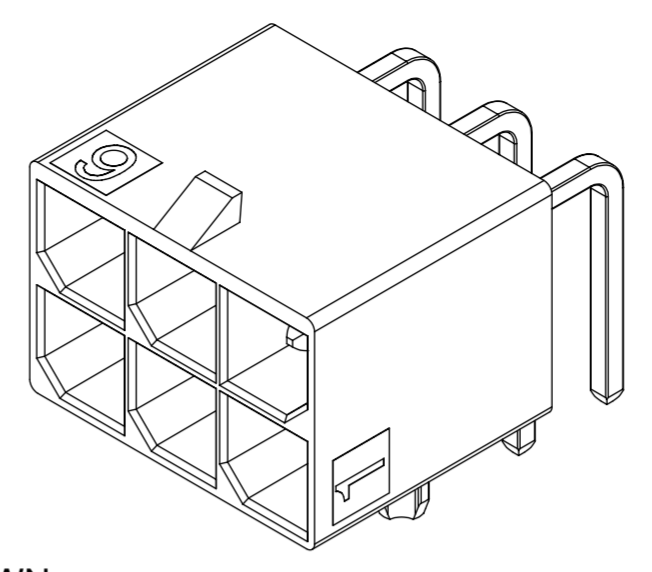
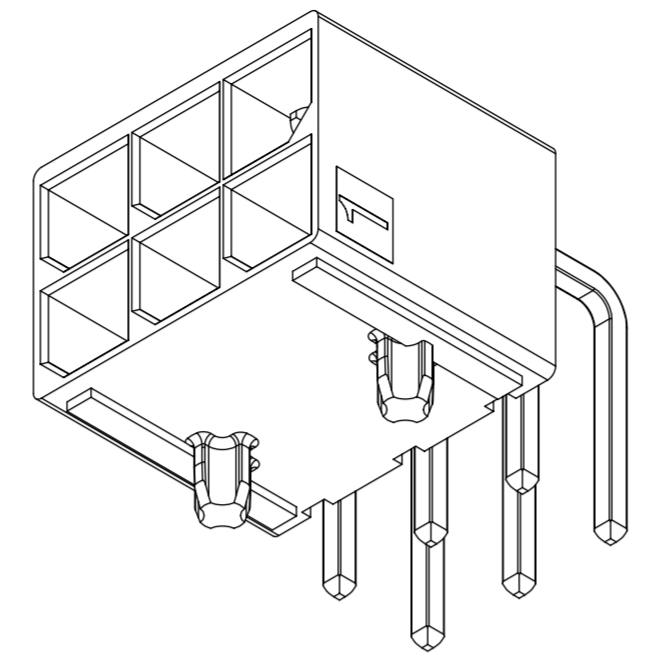
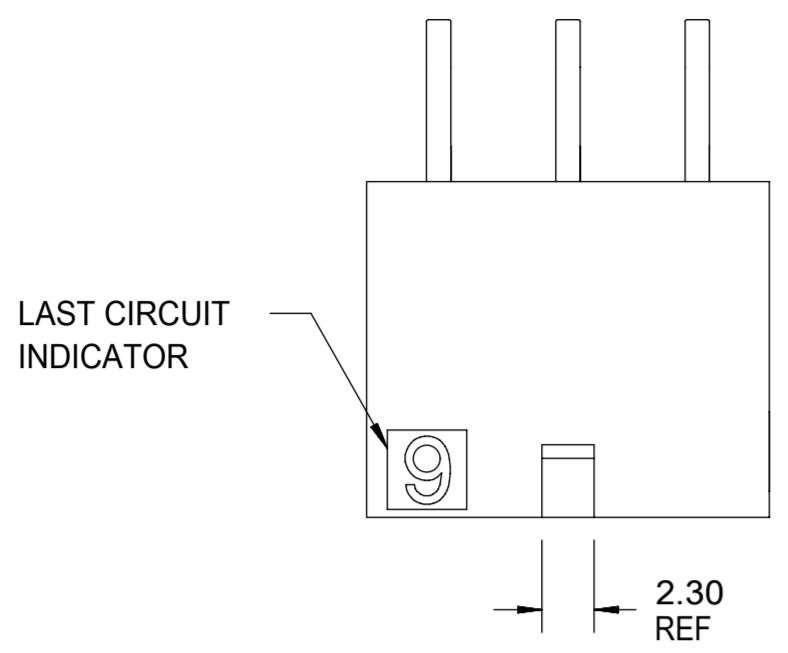
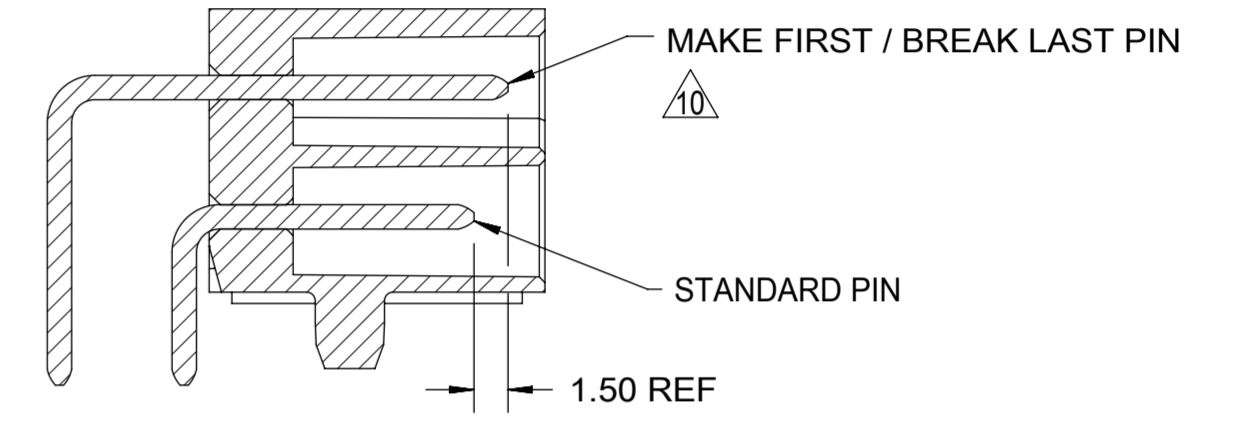
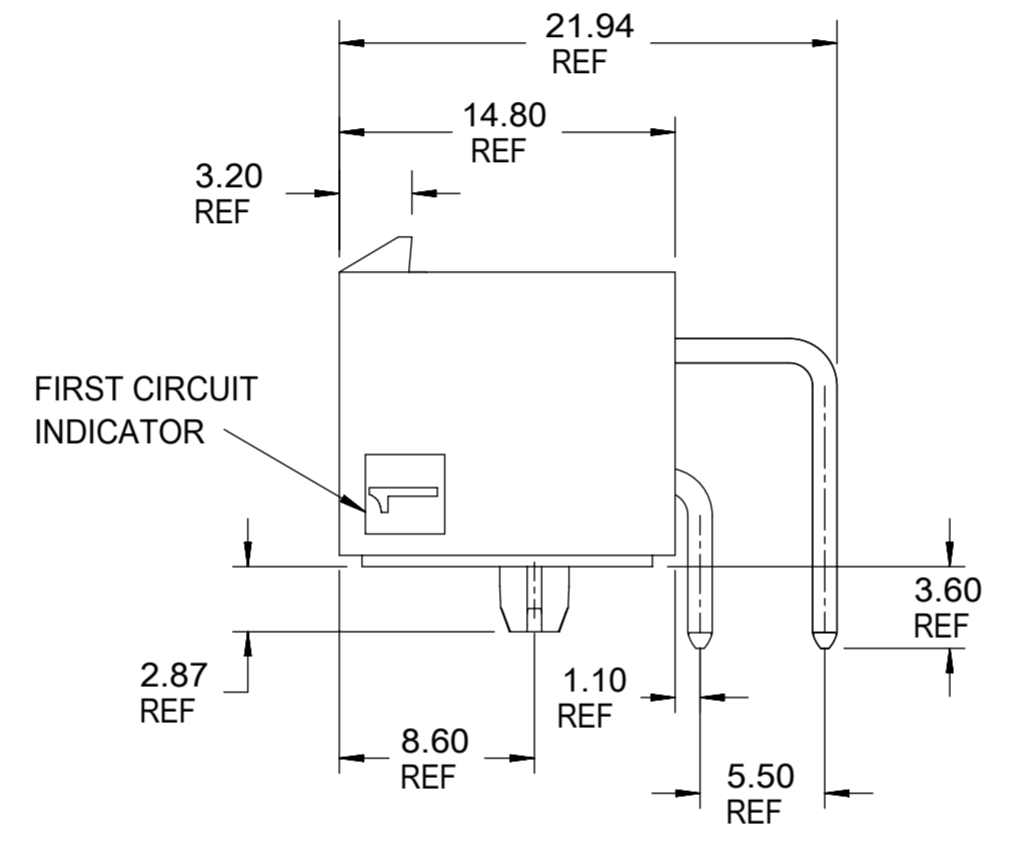
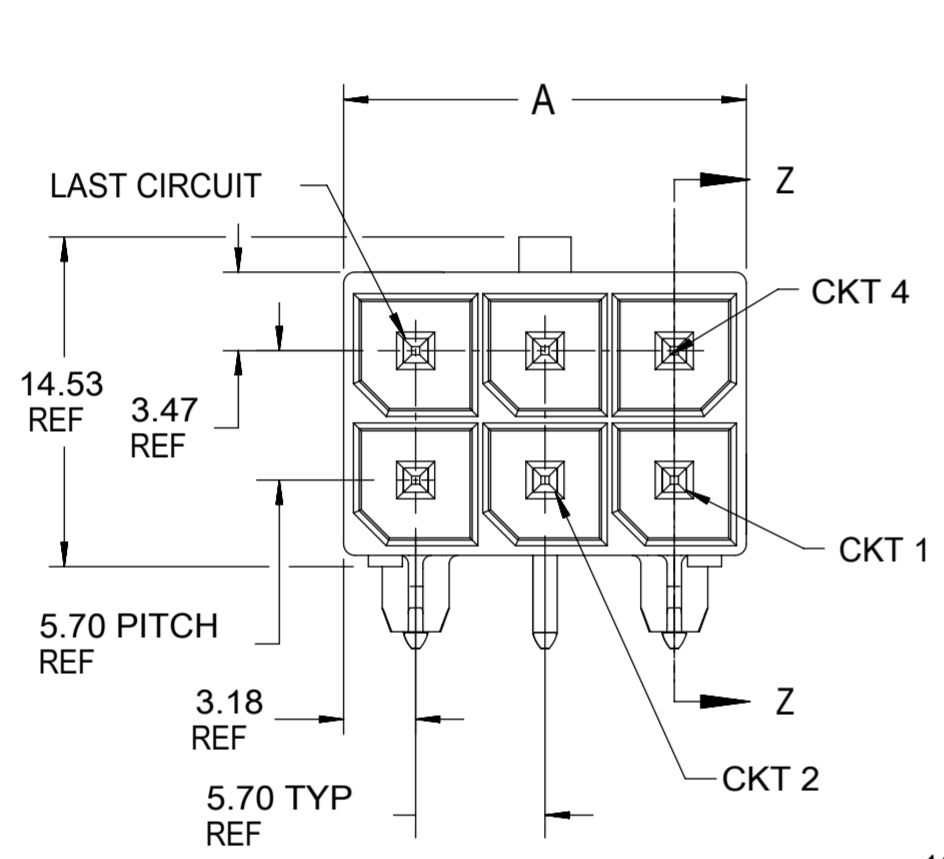


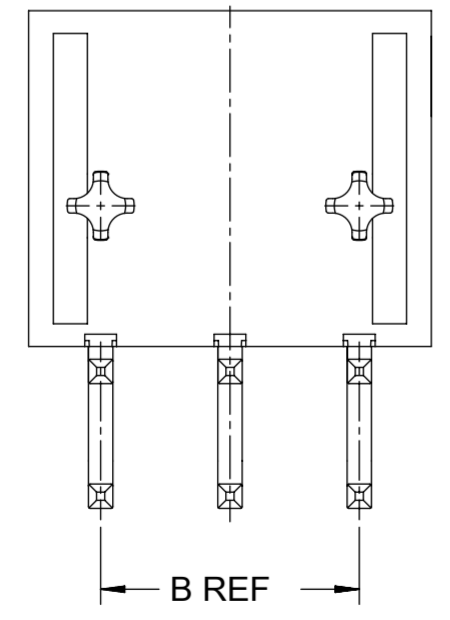
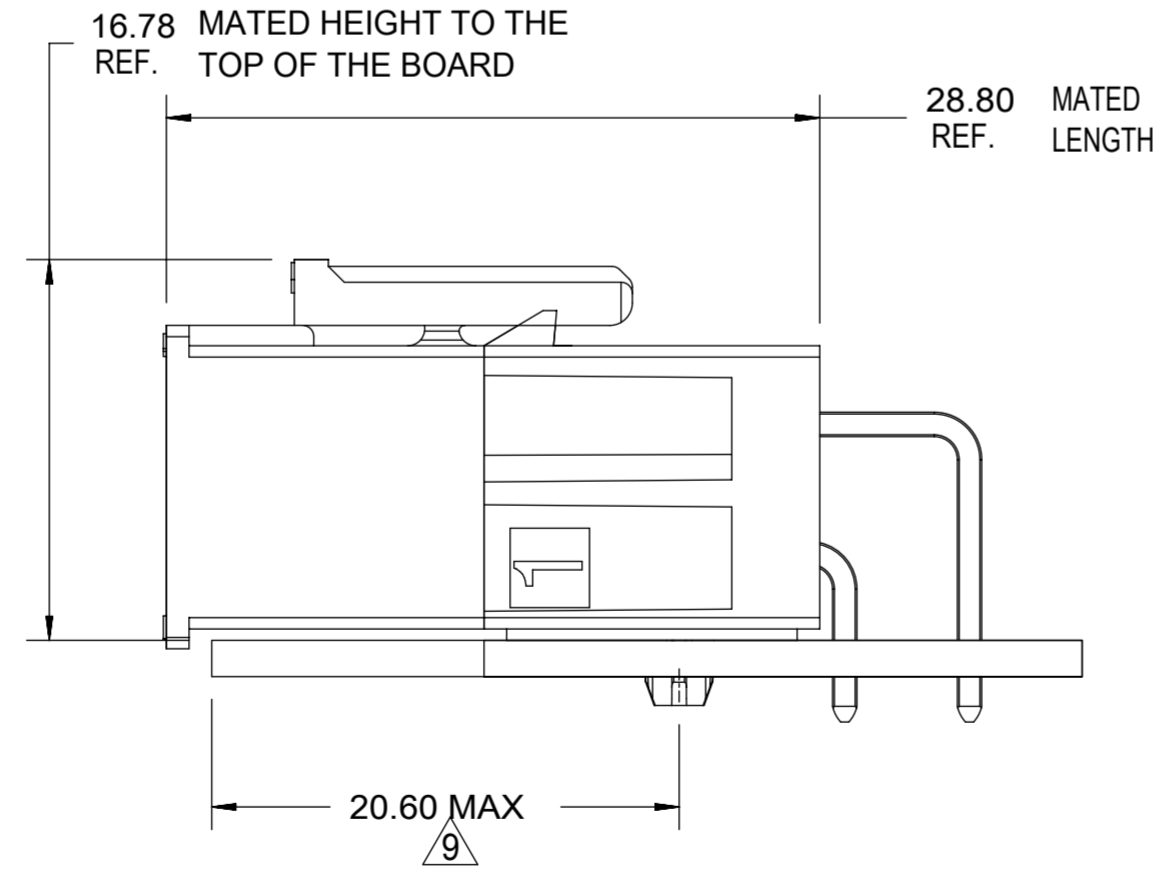
CKT SIZE	DIM A	DIM B	DIM C
2	8.35	N/A	9.35
4	12.05	N/A	13.05
6	17.75	11.40	18.75
8	23.45	17.10	24.45
10	29.15	22.80	30.15
12	34.85	28.50	35.45



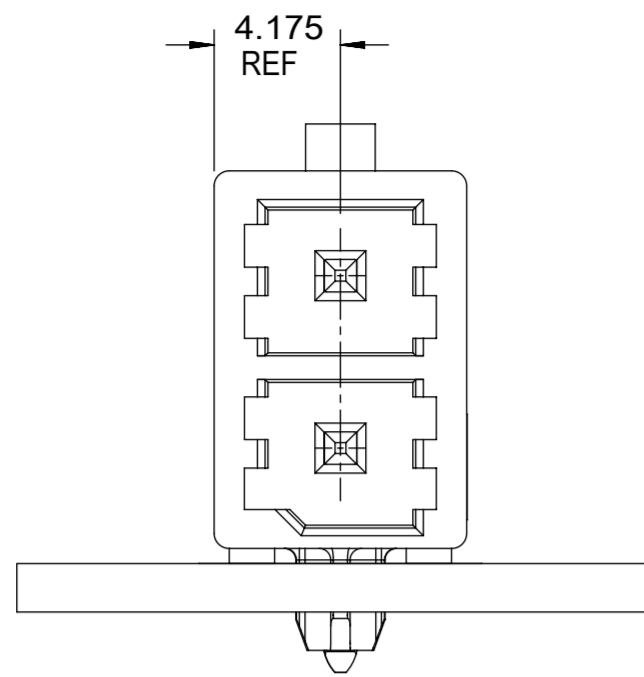
6 CKT SHOWN



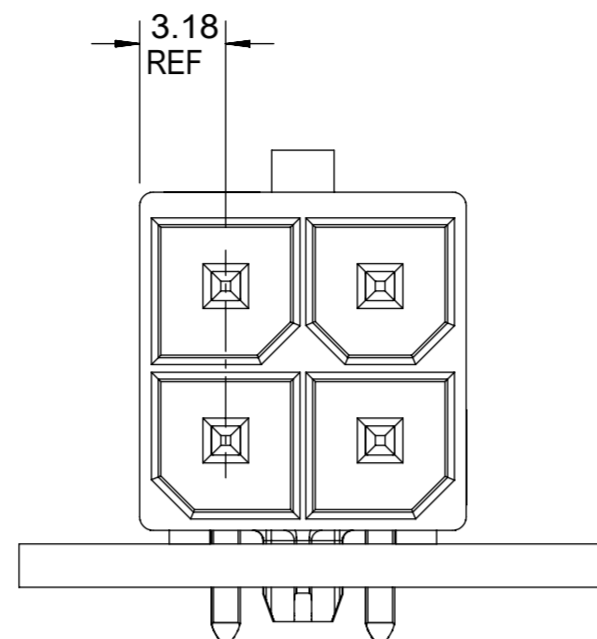
- NOTES:
- MATERIAL:
HOUSING LCP, UL94V-0, BLACK.
TERMINAL: HIGH CONDUCTIVITY COPPER.
 - TERMINAL PLATING:
(TIN) 1.52 MICROMETER MIN (60 MICROINCH MIN) REFLOWED MATTE TIN OVER
1.27 MICROMETER MIN (50 MICROINCH MIN) MIN NICKEL OVERALL.
(15 GOLD) 0.38 MICROMETER MIN (15 MICROINCH MIN) SELECTIVE GOLD ON CONTACT AREA WITH 2.54 MICROMETER MIN (100 MICROINCHES MIN) SELECTIVE TIN ON SOLDER AREA BOTH OVER 1.27 MICROMETER MIN (50 MICROINCHES MIN) NICKEL OVERALL.
(30 GOLD) 0.76 MICROMETER MIN (30 MICROINCH MIN) SELECTIVE GOLD ON CONTACT AREA WITH 2.54 MICROMETER MIN (100 MICROINCHES MIN) SELECTIVE TIN ON SOLDER AREA BOTH OVER 1.27 MICROMETER MIN (50 MICROINCHES MIN) NICKEL OVERALL.
 - PRODUCT SPECIFICATION PS-76825-100/1720631000-PS.
 - PACKAGING: TRAY PACKED PER MOLEX SPECIFICATION PK-76825-0000.
 - PACKAGING: TRAY PACKED PER MOLEX SPECIFICATION 768250001-PK.
 - PART MATES WITH MOLEX PART NUMBER 170001 AND 171692 SERIES.
 - APPLICATION SPECIFICATION: AS-76823-100
 - PARTS CONFORM TO CLASS "B" REQUIREMENTS OF COSMETIC SPECIFICATION PS-45499-002.
 - TO AVOID INTERFERENCE BETWEEN RECEPTACLE AND PCB, HEADER MUST BE PLACED WITHIN 20.6 MAX FROM EDGE OF PCB AS SHOWN FOR 4 THRU 12 CKTS. FOR 2CKT PARTS THIS DIMENSION IS 15.1 MAX.
 - CIRCUITS SHOWN PROVIDE THE "MAKE-FIRST/BREAK-LAST" FEATURE, SEE CHART FOR CIRCUIT LOCATIONS.



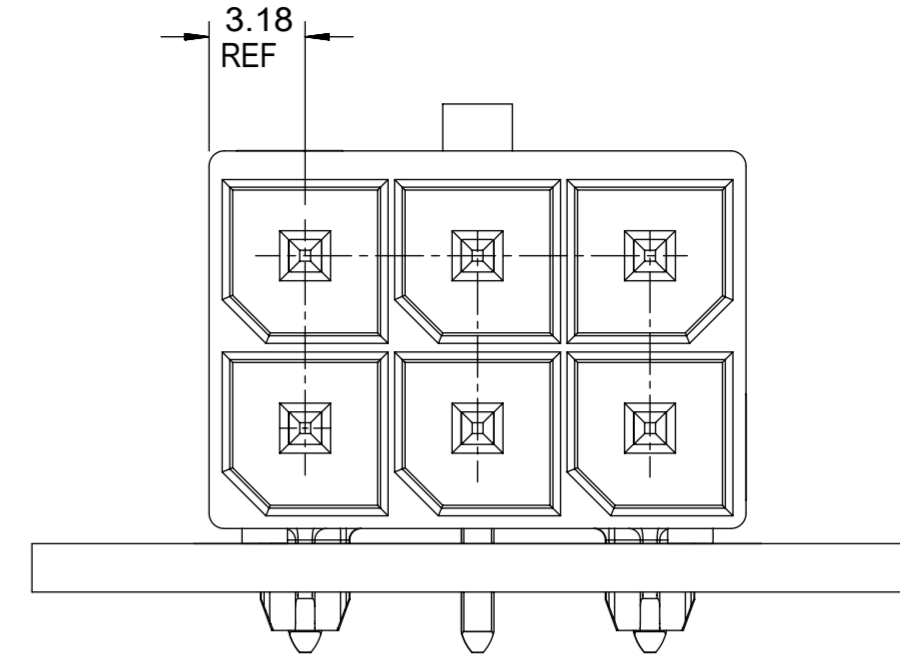
FUNCTIONAL SYMBOLS	THIS DRAWING CONTAINS INFORMATION THAT IS PROPRIETARY TO MOLEX ELECTRONIC TECHNOLOGIES, LLC AND SHOULD NOT BE USED WITHOUT WRITTEN PERMISSION										
	DIMENSION UNITS	SCALE	CURRENT REV DESC:								
$\frac{E}{A} = 0$	mm	1:1									
$\frac{E}{C} = 0$	GENERAL TOLERANCES (UNLESS SPECIFIED)									MEGA-FIT R/A HEADER ASSY 2-12 CKT CUSTOM	
$\frac{E}{P} = 0$	ANGULAR TOL $\pm 0.5^\circ$										
DIVISIONAL SYMBOLS	4 PLACES	\pm	EC NO: 662504				2021/03/15		PRODUCT CUSTOMER DRAWING		
	3 PLACES	\pm	DRWN: ALUO02				2021/04/30				
	2 PLACES	± 0.25	CHK'D: YXZHENG				2021/04/30				
	1 PLACE	\pm	APPR: YXZHENG								
	0 PLACES	\pm	INITIAL REVISION:								
DRAFT WHERE APPLICABLE MUST REMAIN WITHIN DIMENSIONS		THIRD ANGLE PROJECTION	DRAWING	SERIES	MATERIAL NUMBER	CUSTOMER	DOCUMENT NUMBER	DOC TYPE	DOC PART	REVISION	
			A2-SIZE	171596	SEE TABLE	GENERAL MARKET	SD-171596-0100	PSD	001	F2	
										SHEET NUMBER	
										1 OF 3	



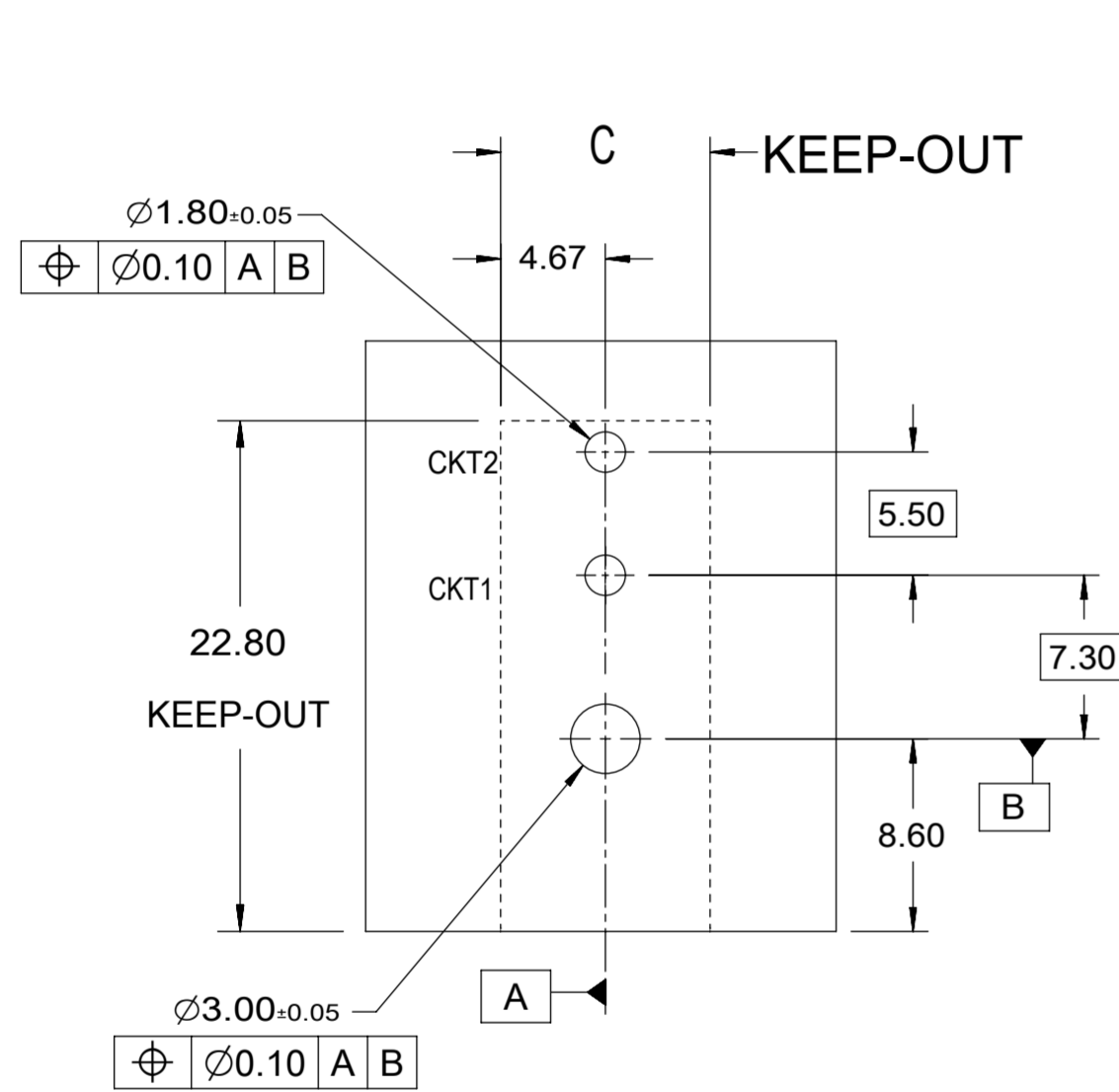
2 CIRCUIT



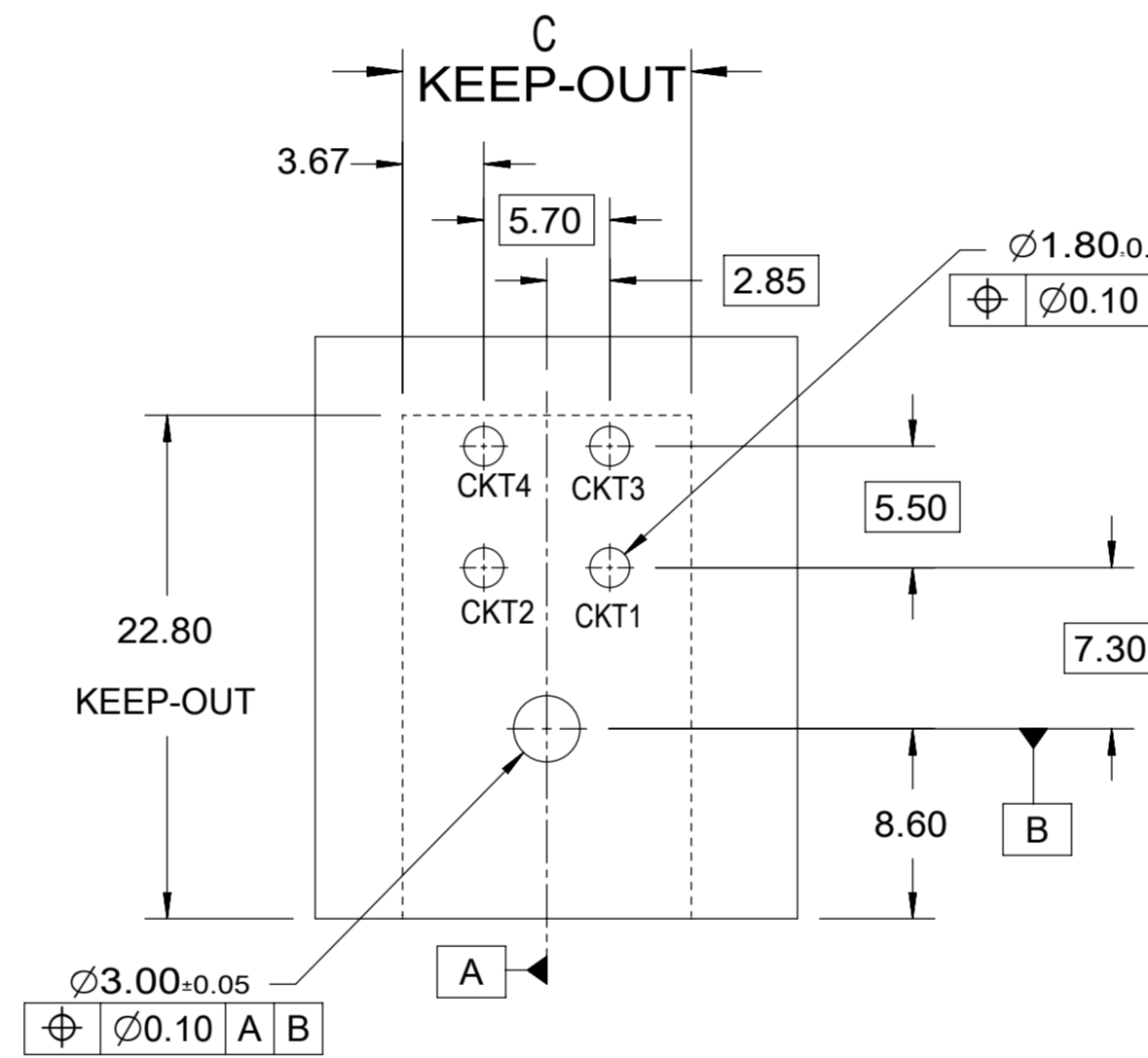
4 CIRCUIT



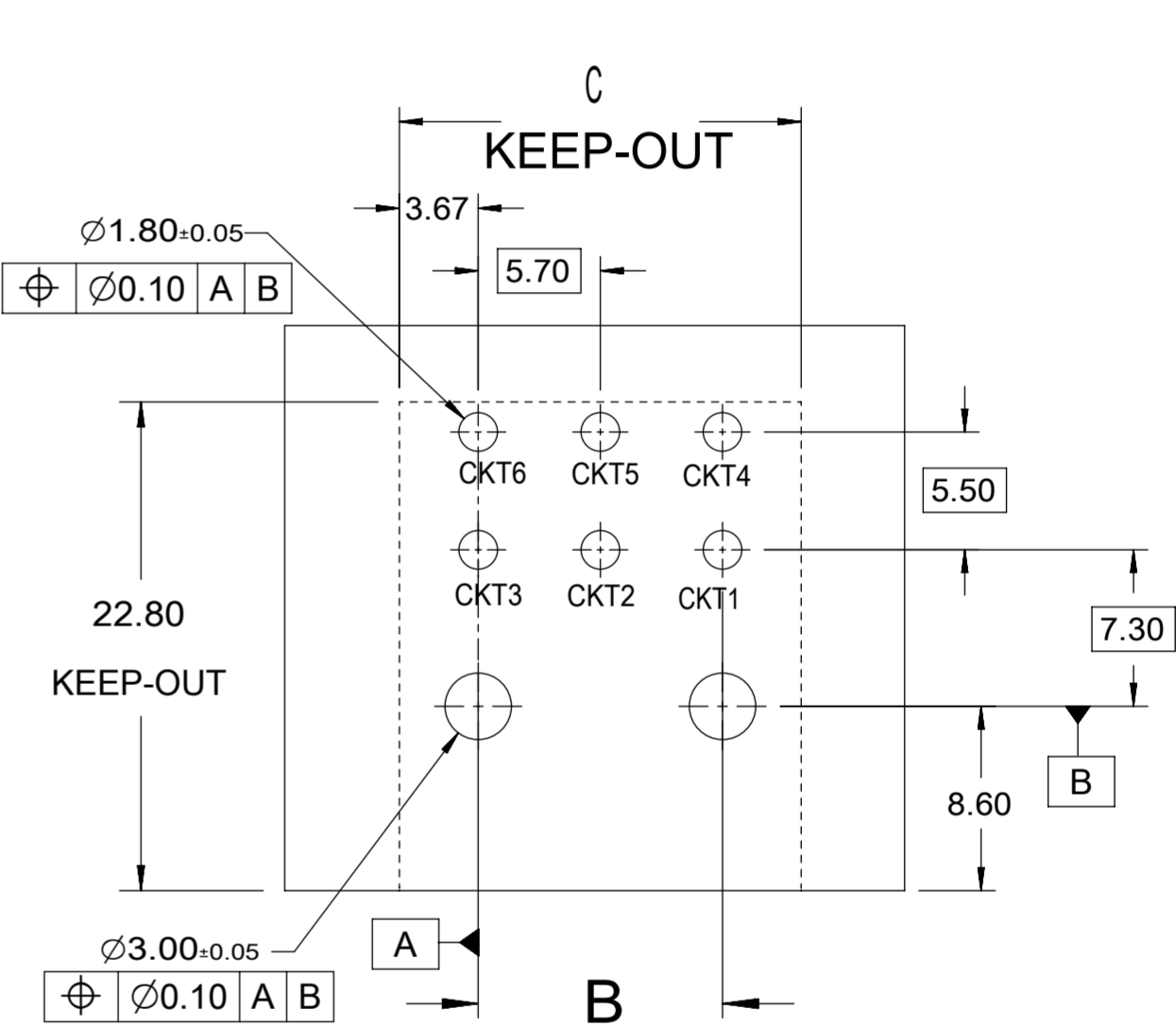
6-12 CIRCUIT



PCB LAYOUT: COMPONENT SIDE
RECOMENDED PCB THICKNESS: 1.58 MM/.062 IN
TO 2.36 MM/.093 IN



PCB LAYOUT: COMPONENT SIDE
RECOMENDED PCB THICKNESS: 1.58 MM/.062 IN
TO 2.36 MM/.093 IN



PCB LAYOUT: COMPONENT SIDE
RECOMENDED PCB THICKNESS: 1.58 MM/.062 IN
TO 2.36 MM/.093 IN

FUNCTIONAL SYMBOLS	THIS DRAWING CONTAINS INFORMATION THAT IS PROPRIETARY TO MOLEX ELECTRONIC TECHNOLOGIES, LLC AND SHOULD NOT BE USED WITHOUT WRITTEN PERMISSION										
	DIMENSION UNITS	SCALE	CURRENT REV DESC:								
$\frac{F}{A} = 0$	mm	1:1	EC NO: 662504								
$\frac{F}{C} = 0$	GENERAL TOLERANCES (UNLESS SPECIFIED)		DRWN: ALUO02							PRODUCT CUSTOMER DRAWING	
$\frac{F}{P} = 0$	ANGULAR TOL $\pm 0.5^\circ$		CHK'D: YXZHENG								
DIVISIONAL SYMBOLS	4 PLACES \pm		APPR: YXZHENG							DOC TYPE PSD	
	3 PLACES \pm		INITIAL REVISION:								
	2 PLACES ± 0.25		DRWN: MKARADIMAS							REVISION F2	
	1 PLACE \pm		APPR: APATEL								
	0 PLACES \pm		DRAFT WHERE APPLICABLE MUST REMAIN WITHIN DIMENSIONS		THIRD ANGLE PROJECTION	DRAWING	SERIES	CUSTOMER	SHEET NUMBER 2 OF 3		
						A2-SIZE	171596	GENERAL MARKET			

	ITEM NO.	CKT SIZE	PLATING	LETTER INDICATES PIN PLATING AND LENGTH REQUIRED AT EACH CIRCUIT LOCATION SEE NOTE 2 SHT 1 V = VOIDED CIRCUIT												PK SPEC
				1	2	3	4	5	6	7	8	9	10	11	12	
H	171596-0001	8	15 GOLD	15GS	V	15GS	15GS	15GS	V	15GS	15GS					TRAY \triangle_4
	171596-0002	4	TIN	TS	TS	TS	TM									
	171596-0003	12	15 GOLD	15GS	V	15GS	15GS	V	15GS	15GS	V	15GS	15GS	V	15GS	
	171596-0004	4	TIN	TS	TS	V	TS									
	171596-0005	6	30 GOLD	30GM	V	30GS	V	30GS	V							
	171596-0006	6	15 GOLD	15GM	15GS	15GM	15GS	15GS	15GS							
																TRAY \triangle_5

	ITEM NO.	CKT SIZE	PLATING	LETTER INDICATES PIN PLATING AND LENGTH REQUIRED AT EACH CIRCUIT LOCATION SEE NOTE 2 SHT 1 V = VOIDED CIRCUIT												PK SPEC
				1	2	3	4	5	6	7	8	9	10	11	12	
F	* 171596-0901	8	15 GOLD	15GS	V	15GS	15GS	15GS	V	15GS	15GS					TAPE&REEL
	* 171596-0902	4	TIN	TS	TS	TS	TM									
	* 171596-0903	12	15 GOLD	15GS	V	15GS	15GS	V	15GS	15GS	V	15GS	15GS	V	15GS	
	* 171596-0904	4	TIN	TS	TS	V	TS									
	* 171596-0905	6	30 GOLD	30GM	V	30GS	V	30GS	V							
	* 171596-0906	6	15 GOLD	15GM	15GS	15GM	15GS	15GS	15GS							

* DESIGNATES PART NOT RELEASED
CONTACT FACTORY FOR AVAILABILITY.

TERMINAL PLATING AND LENGTH CODE

30GS = 30 GOLD, STANDARD LENGTH
15GS = 15 GOLD, STANDARD LENGTH
TS = TIN, STANDARD LENGTH
30GM = 30 GOLD, MAKE FIRST/ BREAK-LAST (LONGER)
15GM = 15 GOLD, MAKE FIRST/ BREAK-LAST (LONGER)
TM = TIN, MAKE FIRST/ BREAK-LAST (LONGER)
V = VOID CIRCUIT

FUNCTIONAL SYMBOLS $\triangle_A = 0$ $\triangle_C = 0$ $\triangle_P = 0$	THIS DRAWING CONTAINS INFORMATION THAT IS PROPRIETARY TO MOLEX ELECTRONIC TECHNOLOGIES, LLC AND SHOULD NOT BE USED WITHOUT WRITTEN PERMISSION					
	DIMENSION UNITS	SCALE				
	mm	1:1	PRODUCT CUSTOMER DRAWING			
	GENERAL TOLERANCES (UNLESS SPECIFIED)					
ANGULAR TOL $\pm 0.5^\circ$		CURRENT REV DESC:		DOC TYPE	DOC PART	REVISION
4 PLACES \pm		EC NO: 662504		PSD	001	F2
3 PLACES \pm		DRWN: ALUO02		3 OF 3		
2 PLACES ± 0.25		CHK'D: YXZHENG				
1 PLACE \pm		APPR: YXZHENG		SEE TABLE		
0 PLACES \pm		INITIAL REVISION:				
DRAFT WHERE APPLICABLE MUST REMAIN WITHIN DIMENSIONS		DRWN: MKARADIMAS		GENERAL MARKET		
THIRD ANGLE PROJECTION		APPR: APATEL				
DRAWING		SERIES		171596		
A2-SIZE		MATERIAL NUMBER				
CUSTOMER		SHEET NUMBER		3 OF 3		
GENERAL MARKET		CUSTOMER				