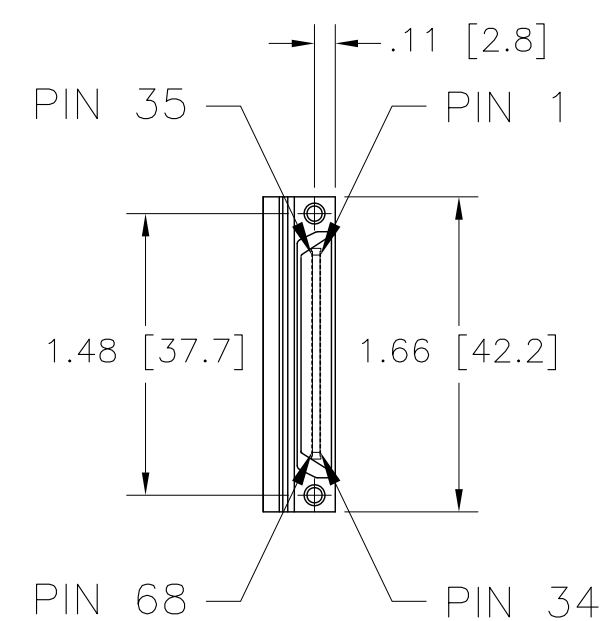
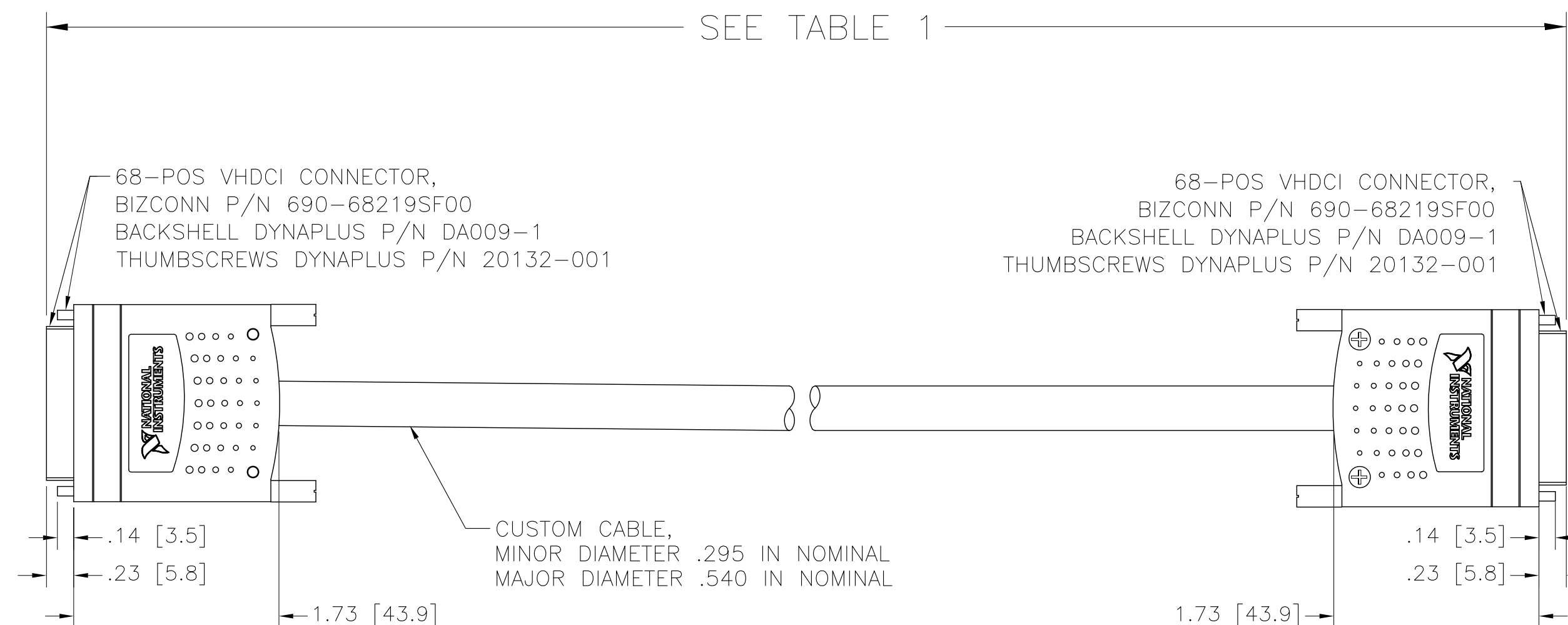


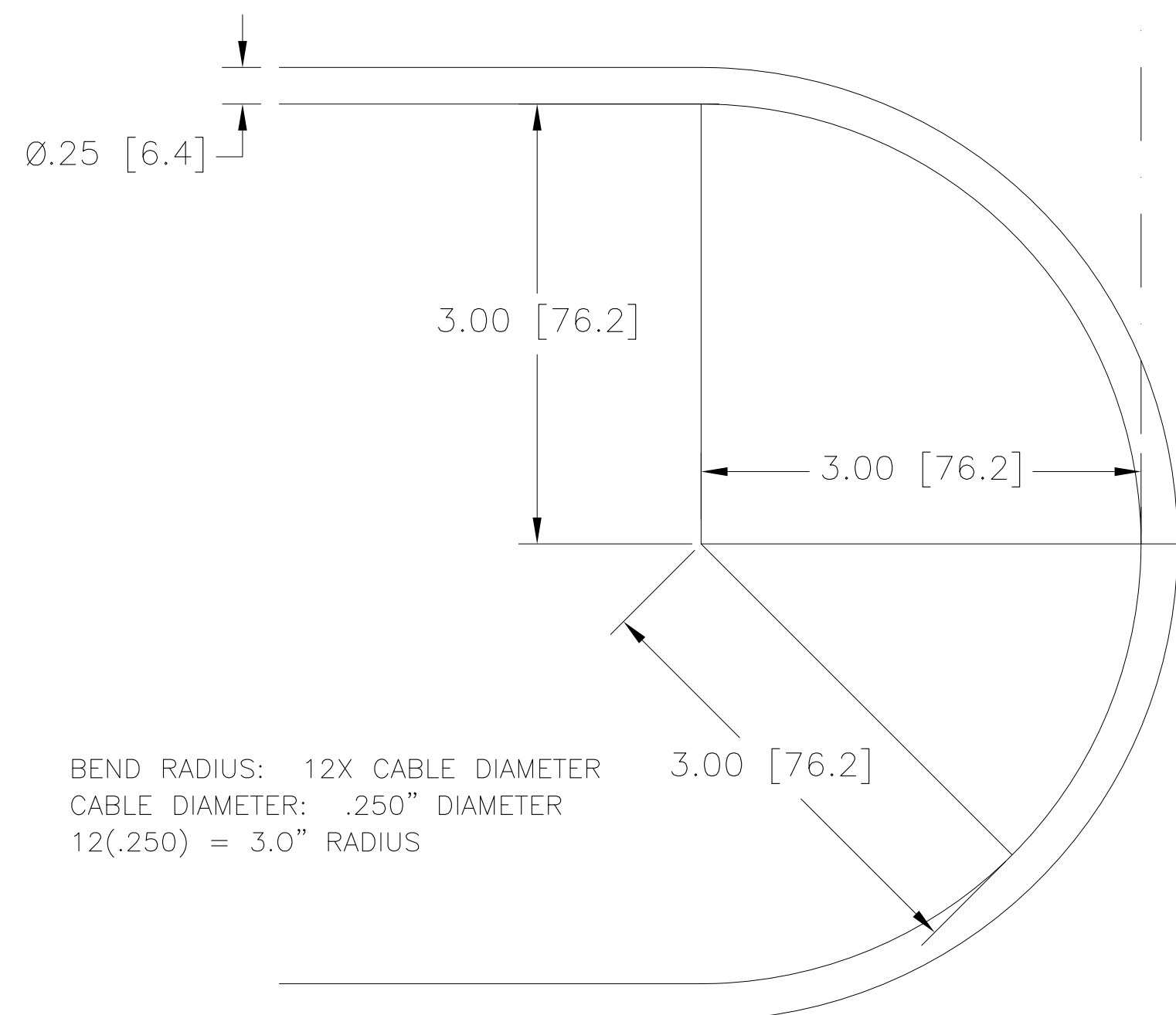
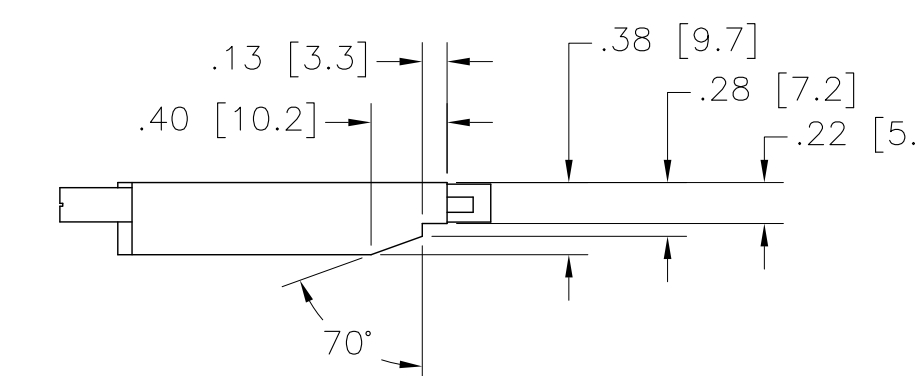
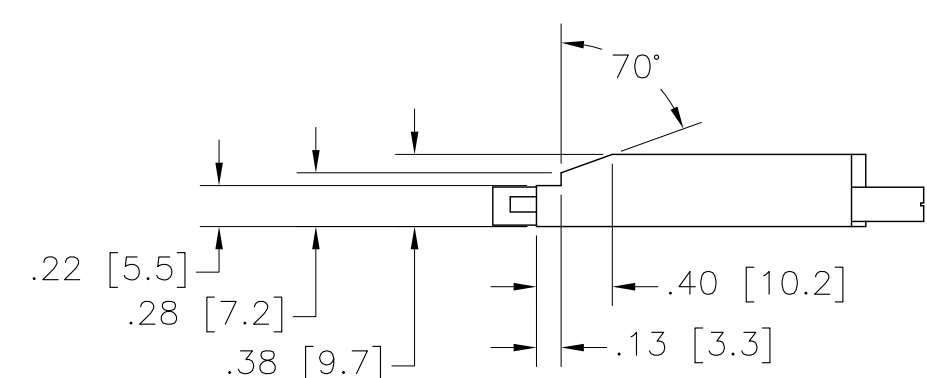
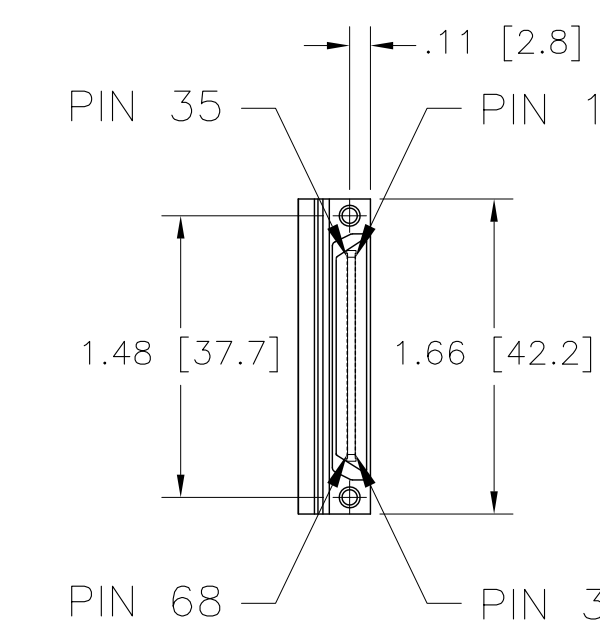
CUSTOMER DRAWING COMPATIBILITY			
REV	DESCRIPTION	DATE	APPROVED
A	DRAWING COMPATIBLE, OBSOLETE		
B	DRAWING COMPATIBLE, OBSOLETE		
C	DRAWING COMPATIBLE, OBSOLETE		
D	DRAWING COMPATIBLE, RELEASED		



P2



P1



BEND RADIUS EXAMPLE

WIRE LIST						
ANALOG BUNDLE - 8 SHIELDED PAIRS 2 PAIRS, 2 SINGLES, OUTER SHIELD				P1 VHDCI	P2 VHDCI	SIGNAL NAME
BUNDLE	PAIR NO	SINGLE NO	COLOR CODE	PIN NO	PIN NO	STC II
A	1		WHITE/BLACK	65	65	AI 2
			BLACK/WHITE	31	31	AI 10
		SHIELD 1		64	64	AI GND
	2		WHITE/BROWN	63	63	AI 11
			BROWN/WHITE	30	30	AI 3
		SHIELD 2		29	29	AI GND
	3		WHITE/RED	57	57	AI 7
			RED/WHITE	23	23	AI 15
		SHIELD 3		56	56	AI GND
	4		WHITE/ORANGE	68	68	AI 0
		ORANGE/WHITE	34	34	AI 8	
	SHIELD 4		67	67	AI GND	
5		WHITE/GREEN	66	66	AI 9	
		GREEN/WHITE	33	33	AI 1	
	SHIELD 5		32	32	AI GND	
6		WHITE/BLUE	58	58	AI 14	
		BLUE/WHITE	25	25	AI 6	
	SHIELD 6		24	24	AI GND	
7		WHITE/VIOLET	60	60	AI 5	
		VIOLET/WHITE	26	26	AI 13	
	SHIELD 7		59	59	AI GND	
8		WHITE/GRAY	61	61	AI 12	
		GRAY/WHITE	28	28	AI 4	
	SHIELD 8		27	27	AI GND	
9		BROWN/BLACK	22	22	AO 0	
		BLACK/BROWN	54	54	AO GND 0	
10		RED/BLACK	21	21	AO 1	
		BLACK/RED	55	55	AO GND 1	
	1	WHITE/YELLOW	62	62	AI SENSE 1	
	2	RED/BLUE	20	20	APFI 0	
	CORE SHIELD		54	54	AO GND 0	

WIRE LIST (CONT.)						
DIGITAL BUNDLE- 12 PAIRS (B), 12 TWISTED PAIRS/2 SINGLES (C)				P1 VHDCI	P2 VHDCI	SIGNAL NAME
BUNDLE	PAIR NO	COLOR CODE	PIN NO	PIN NO	STC II	
B	1		BLACK/VIOLET	53	53	D GND
			VIOLET/BLACK	19	19	P0.4
		BLACK/BLUE	52	52	P0.0	
	2		BLUE/BLACK	18	18	D GND
			BLUE/GREEN	51	51	P0.5
	3		GREEN/BLUE	18	18	D GND
			BLACK/GREEN	50	50	D GND
	4		GREEN/BLACK	17	17	P0.1
			VIOLET/ORANGE	50	50	D GND
	5		ORANGE/VIOLET	16	16	P0.6
			BLACK/YELLOW	49	49	P0.2
	6		YELLOW/BLACK	15	15	D GND
		GRAY/RED	48	48	P0.7	
7		RED/GRAY	15	15	D GND	
		YELLOW/ORANGE	47	47	P0.3	
8		ORANGE/YELLOW	13	13	D GND	
		BLACK/ORANGE	46	46	PFI 11/P2.3	
9		ORANGE/BLACK	13	13	D GND	
		BROWN/GRAY	45	45	PFI 10/P2.2	
10		GRAY/BROWN	12	12	D GND	
		RED/ORANGE	44	44	D GND	
11		ORANGE/RED	11	11	PFI 0/P1.0	
		PINK/BLACK	44	44	D GND	
12		BLACK/PINK	10	10	PFI 1/P1.1	
		BROWN/VIOLET	43	43	PFI 2/P1.2	
C	1		VIOLET/BROWN	9	9	D GND
			BROWN/BLUE	42	42	PFI 3/P1.3
	2		BLUE/BROWN	9	9	D GND
			RED/YELLOW	41	41	PFI 4/P1.4
	3		YELLOW/RED	7	7	D GND
			YELLOW/GREEN	40	40	PFI 13/P2.5
	4		GREEN/YELLOW	7	7	D GND
			BROWN/GREEN	35	35	D GND
	5		GREEN/BROWN	6	6	PFI 5/P1.5
			BROWN/YELLOW	39	39	PFI 15/P2.7
	6		YELLOW/BROWN	7	7	D GND
			ORANGE/GREEN	4	4	D GND
7		GREEN/ORANGE	5	5	PFI 6/P1.6	
		BROWN/ORANGE	38	38	PFI 7/P1.7	
8		ORANGE/BROWN	4	4	D GND	
		YELLOW/BLUE	37	37	PFI 8/P2.0	
9		BLUE/YELLOW	4	4	D GND	
		ORANGE/BLUE	36	36	D GND	
10		BLUE/ORANGE	3	3	PFI 9/P2.1	
		BROWN/RED	36	36	D GND	
11		RED/BROWN	2	2	PFI 12/P2.4	
		BLACK/GRAY	35	35	D GND	
12		GRAY/BLACK	1	1	PFI 14/P2.6	
	SINGLE	ORANGE/GRAY	8	8	+5V	
SINGLE	VIOLET/RED	14	14	+5V		
OUTER SHIELD		SHELL	SHELL		SHIELD	

LENGTH	TOLERANCE
<2M	+5 CM/-0 CM
2 TO 5M	+10 CM/-0 CM
>5M	+15 CM/-0 CM

CONDUCTOR SPECIFICATIONS:

CONDUCTOR: 30AWG 7/38 TIN PLATED COPPER, .012 INCH DIAMETER
 INSULATION: .006 INCHES OF POLYPROPYLENE, .024 INCH DIAMETER
 BEND RADIUS: 12X CABLE DIAMETER (SEE EXAMPLE) PER SPECIFICATIONS
 2014 NEC SECTION 300.34 CONDUCTOR BEND RADIUS
 2014 NEC SECTION 300.24 BENDING RADIUS

1. REFER TO PRODUCT MANUAL ON NI.COM FOR MORE DETAILS.
 NOTES: UNLESS OTHERWISE SPECIFIED.

CUSTOMER DRAWING

UNLESS OTHERWISE SPECIFIED DIMENSIONS ARE IN INCHES AND [MILLIMETERS]	NATIONAL INSTRUMENTS® AUSTIN, TEXAS
TITLE SHC68-C68-EPM	
SIZE D 7U296	CODE IDENT NO. 01/02/20
SCALE: 1/1	SHEET 1 OF 1

